

# PRODUCT DATASHEET

## ENDURA Style Lantern Modern 50cm 12W

ENDURA® STYLE LANTERN MODERN | Contemporary lanterns with light guide for low-glare illumination



### Areas of application

- Outdoor use (IP44)
- Building facades
- Gardens, balconies and other outdoor areas
- Pathway lighting
- Driveways

### Product benefits

- Energy-efficient thanks to LED technology
- Easy and quick installation

### Product features

- Very bright and functional outdoor LED luminaires
- Die-cast aluminum housing
- Available as wall and bollard luminaires



---

## TECHNICAL DATA

### Electrical data

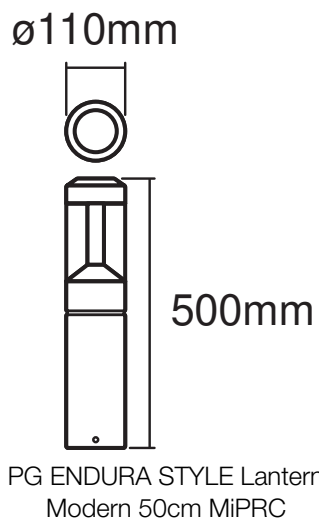
Nominal wattage	12.00 W
Nominal voltage	220...240 V
Mains frequency	50...60 Hz
Nominal current	65.000 mA
Max. number of luminaires per miniature circuit breaker B16	20
Max. number of luminaires per miniature circuit breaker C16	28
Power factor $\lambda$	> 0.5
Total harmonic distortion	$\leq 70$ %
Protection class	I
Operating mode	Mains voltage

### Photometrical data

Luminous flux	610 lm
Total luminous flux of contained light sources	900 lm
Luminous efficacy	50 lm/W
Color temperature	3000 K
Light color (designation)	Warm White
Color rendering index Ra	> 80
Standard deviation of color matching	$\leq 6$ sdc
Flickering metric (Pst LM)	-
Stroboscope effect metric (SVM)	-
Photobiological safety group acc. to EN62778	RG0
Beam angle	360 °

### Dimensions & Weight

Diameter	110.00 mm
Height	500.00 mm
Product weight	1900.00 g



### Materials & Colors

Product color	Dark gray
Housing color	Dark gray
Body material	Aluminum
Cover material	Polycarbonate (PC)
Mercury content	0.0 mg

### Application & Mounting

Ambient temperature range	-20...+40 °C
Temperature range at storage	-20...+85 °C
Type of connection	Screw terminal
Type of protection	IP54
Protection class IK (shock resistance)	IK06
Dimmable	No
Mounting type	Surface
Mounting location	Wall
Application environment	Outdoor
LED module replaceable	Not replaceable
With light source	Yes

### Lifespan

Lifespan L70/B50 at 25 °C	30000 h <sup>1)</sup>
---------------------------	-----------------------

Number of switching cycles	15000
----------------------------	-------

1) t[h]: L70 / B50 @ 25 °C (Ta), t[h]: L80 / B10 @ 25 °C (Ta), t[h]: L90 / B10 @ 25 °C (Ta)

### Certificates & Standards

Standards	CE / EAC / UKCA
Luminaire with limited surface temperature, "D sign"	No





### Additional product data

Number of illuminants	empty
-----------------------	-------

### EQUIPMENT / ACCESSORIES

– Complete mounting and connecting accessories included

### DOWNLOAD DATA

	Documents and certificates	Document name
	User Instruction	ENDURA STYLE LANTERN MODERN
	Legal information	Legal Insert B - Outdoor Not dimmable
	Declarations of conformity	ENDURA STYLE LUM
	Declarations Of Conformity UKCA	Fixed LUM

### LOGISTICAL DATA

Product code	Packaging unit (Pieces/Unit)	Dimensions (length x width x height)	Gross weight	Volume
4058075205031	Folding box 1	194 mm x 194 mm x 536 mm	1998.00 g	20.17 dm <sup>3</sup>
4058075205048	Shipping box 2	405 mm x 205 mm x 555 mm	4618.00 g	46.08 dm <sup>3</sup>

The mentioned product code describes the smallest quantity unit which can be ordered. One shipping unit can contain one or more single products. When placing an order, for the quantity please enter single or multiples of a shipping unit.

### DISCLAIMER

Subject to change without notice. Errors and omission excepted. Always make sure to use the most recent release.

