

Dell OptiPlex 3280 All-in-One

Setup and Specifications

Notes, cautions, and warnings

 **NOTE:** A NOTE indicates important information that helps you make better use of your product.

 **CAUTION:** A CAUTION indicates either potential damage to hardware or loss of data and tells you how to avoid the problem.

 **WARNING:** A WARNING indicates a potential for property damage, personal injury, or death.

| | |
|--|-----------|
| 1 Set up your computer..... | 4 |
| 2 Views of Dell Optiplex 3280 All-in-One | 11 |
| Front..... | 11 |
| Retractable camera..... | 12 |
| Left..... | 13 |
| Right..... | 14 |
| Back..... | 15 |
| Bottom..... | 16 |
| Inside view of your computer..... | 16 |
| System board layout..... | 18 |
| 3 Specifications of Dell Optiplex 3280 All-in-One | 19 |
| Dimensions and weight..... | 19 |
| Processors..... | 19 |
| Chipset..... | 20 |
| Operating system..... | 20 |
| Memory..... | 21 |
| Ports and connectors..... | 21 |
| Communications..... | 22 |
| Audio..... | 23 |
| Storage..... | 23 |
| Intel Optane memory..... | 24 |
| Media-card reader..... | 24 |
| Camera..... | 24 |
| Power adapter..... | 25 |
| Display..... | 26 |
| Video..... | 27 |
| Computer environment..... | 27 |
| Security..... | 27 |
| Data security..... | 28 |
| Environmental..... | 28 |
| Regulatory..... | 29 |
| Accessories..... | 29 |
| OptiPlex 3280 All-in-One stands..... | 30 |
| Service and support..... | 42 |
| 4 Getting help and contacting Dell..... | 43 |

Set up your computer

Steps

1. Set up the stand.

Table 1. Installing the stands

| Stands | Installing the stands |
|-------------|---|
| Fixed Stand |  |

Table 1. Installing the stands(continued)



| Stands | Installing the stands |
|-------------------------|---|
| Articulating stand |  <p>2</p> |
| Height Adjustable Stand | <p>NOTE: Follow the same procedure to install the Height Adjustable Stand with Optical Disk Drive.</p> |

Table 1. Installing the stands(continued)

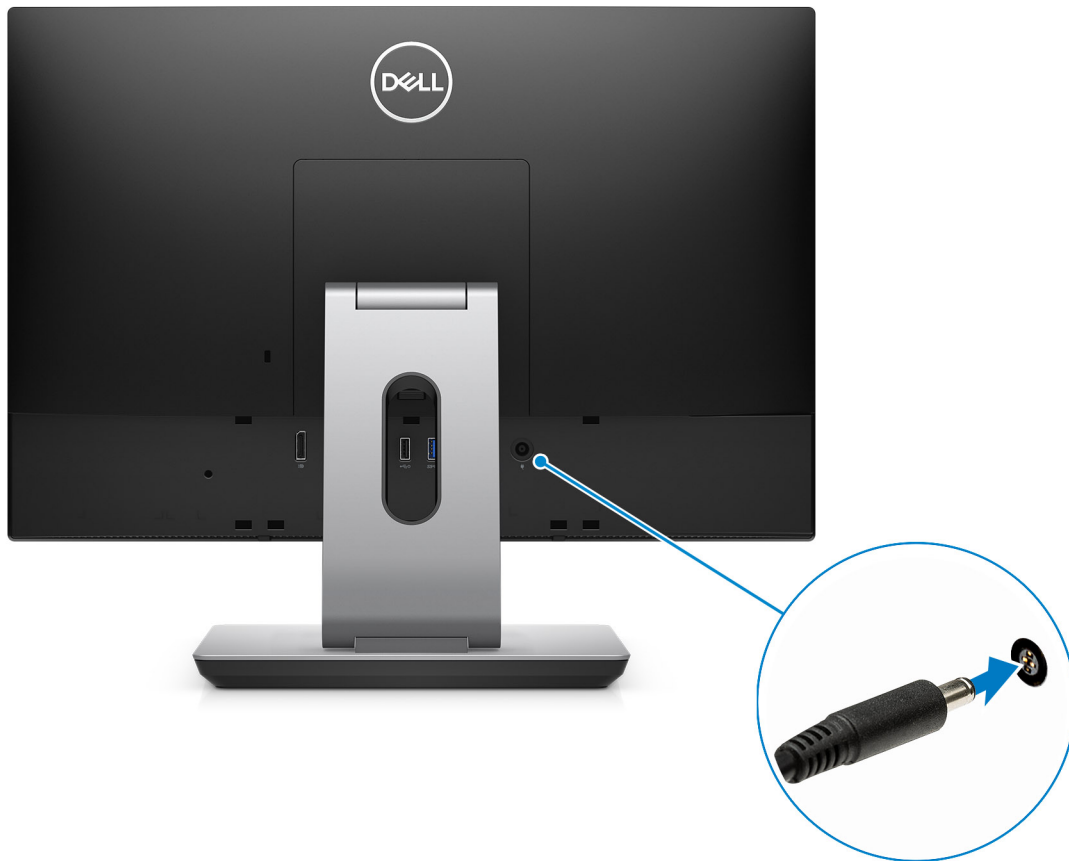
| Stands | Installing the stands |
|--------|---|
| |  |

2. Set up the keyboard and mouse.

 **NOTE:** For setup instructions, see the documentation shipped with the keyboard and mouse.



3. Route the power cable through the stand, then connect the power cable.



4. Press the power button.

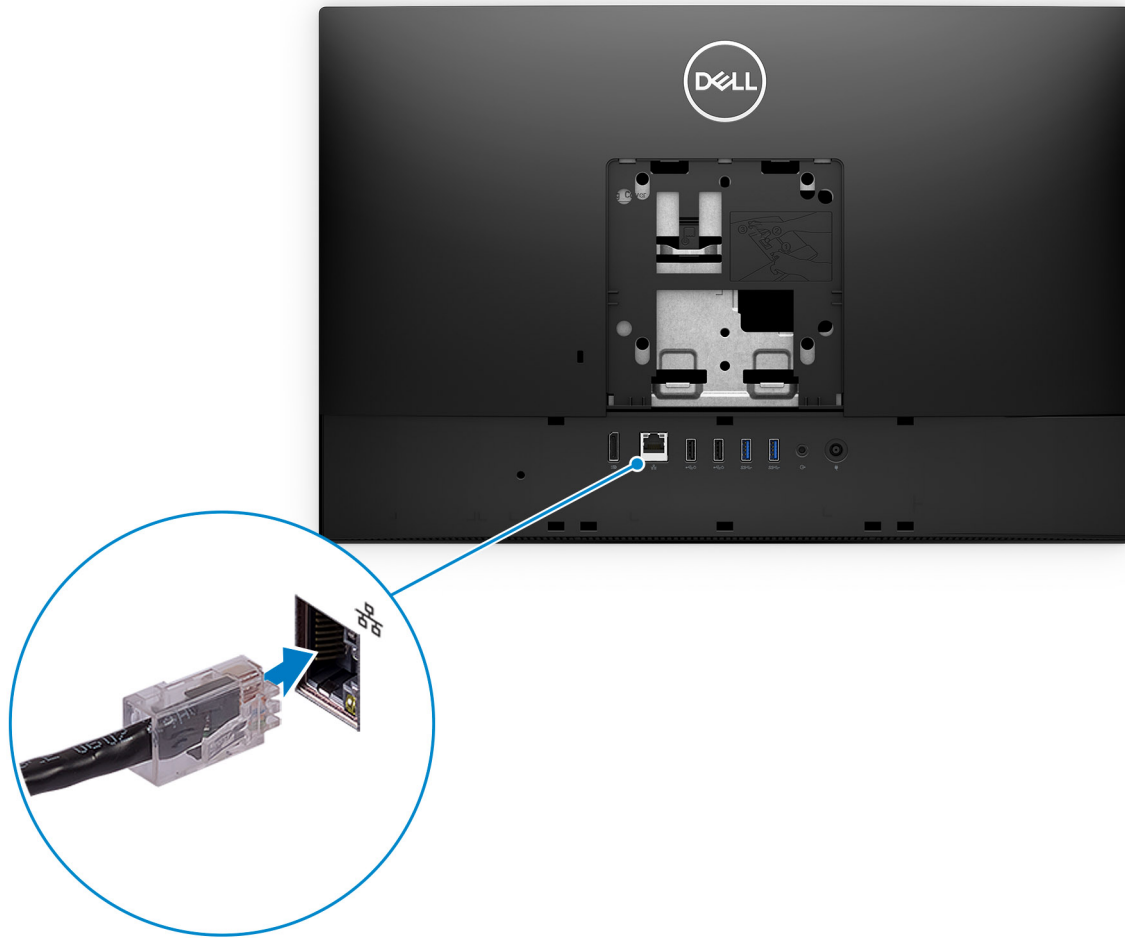


5. Finish Windows setup.

Follow the on-screen instructions to complete the setup. When setting up, Dell recommends that you:

- Connect to a network for Windows updates.




i **NOTE: If connecting to a secured wireless network, enter the password for the wireless network access when prompted.**



- If connected to the internet, sign-in with or create a Microsoft account. If not connected to the internet, create an offline account.
- On the **Support and Protection** screen, enter your contact details.

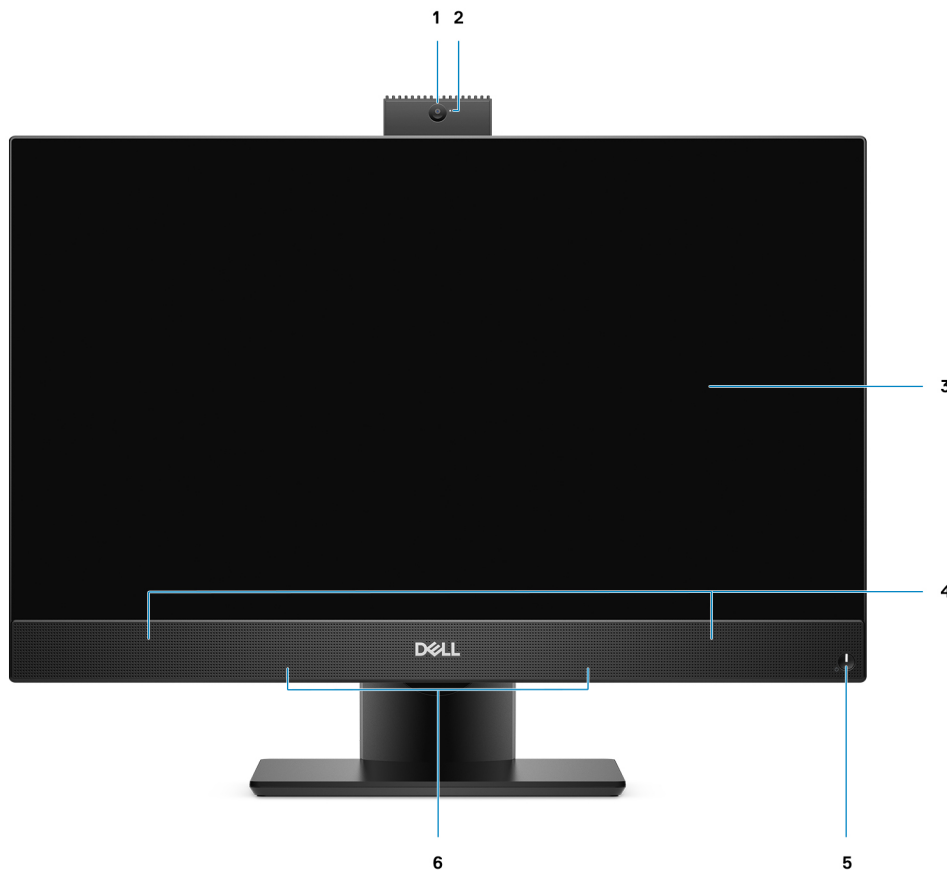
6. Locate and use Dell apps from the Windows Start menu—Recommended

Table 2. Locate Dell apps

| Resources | Description |
|---|---|
|  | <p>SupportAssist</p> <p>Pro-actively checks the health of your computer’s hardware and software. The SupportAssist OS Recovery tool troubleshoots issues with the operating system. For more information, see the SupportAssist documentation at www.dell.com/support.</p> <p>NOTE: In SupportAssist, click the warranty expiry date to renew or upgrade your warranty.</p> |
|  | <p>Dell Update</p> <p>Updates your computer with critical fixes and latest device drivers as they become available. For more information about using Dell Update, see the knowledge base article SLN305843 at www.dell.com/support.</p> |
|  | <p>Dell Digital Delivery</p> <p>Download software applications, which are purchased but not pre-installed on your computer. For more information about using Dell Digital Delivery, see the knowledge base article 153764 at www.dell.com/support.</p> |

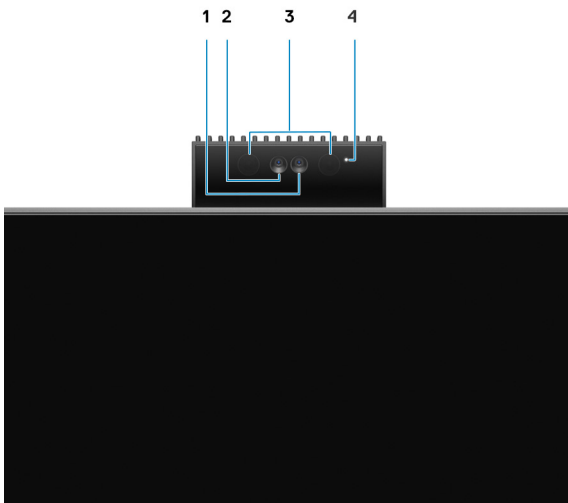
Views of Dell Optiplex 3280 All-in-One

Front



- | | |
|--|------------------------|
| 1. Full HD webcam | 2. Camera-status light |
| 3. Display | 4. Speakers |
| 5. Power button/power-status indicator | 6. Array microphones |

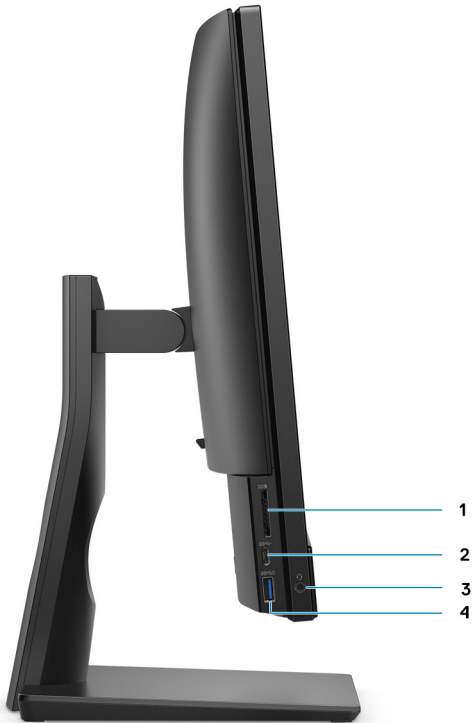
Retractable camera



NOTE: Depending on the configuration ordered, your computer will have only camera or both camera and Infrared camera.

1. Camera
2. Infrared camera
3. Infrared emitter
4. Camera-status light

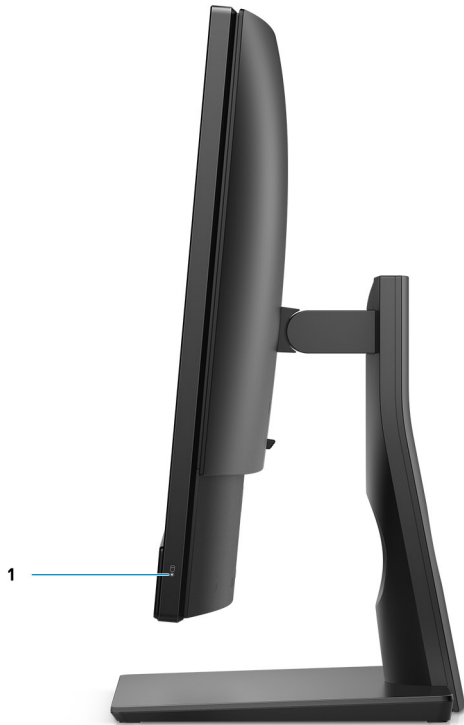
Left



1. SD 3.0 card slot
3. Universal audio jack

2. USB 3.2 Gen 1 Type-C port
4. USB 3.2 Gen 1 Type-A port with PowerShare

Right

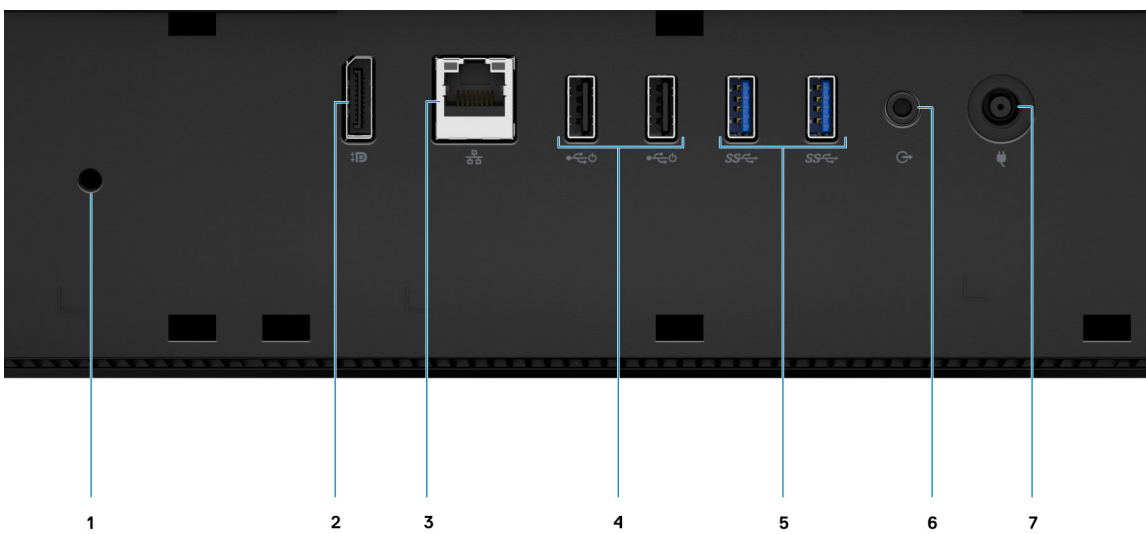


1. Hard-drive status indicator

Back



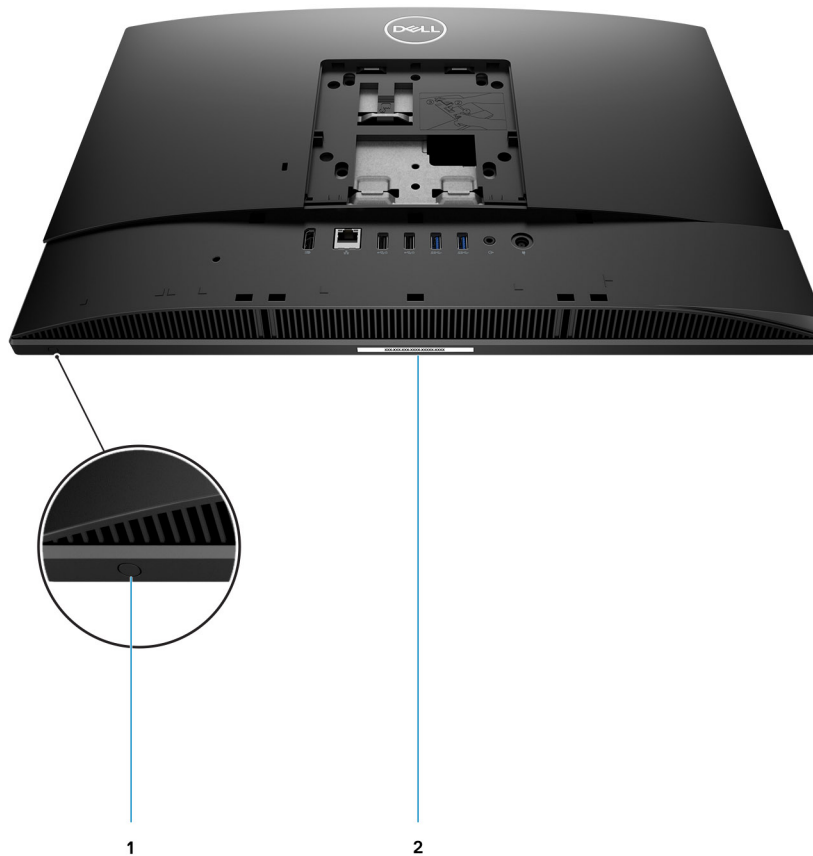
- 1. Back cover
- 2. Stand cover
- 3. Kensington security-cable slot
- 4. Back bottom cover
- 5. Stand



- 1. Cable cover screw hole
- 2. DP++ 1.4/HDCP 2.3 port

3. RJ-45 port 10/100/1000 Mbps
4. USB 2.0 ports with Smart Power On
5. USB 3.2 Gen 1 Type-A ports
6. Line-out audio port
7. Power connector

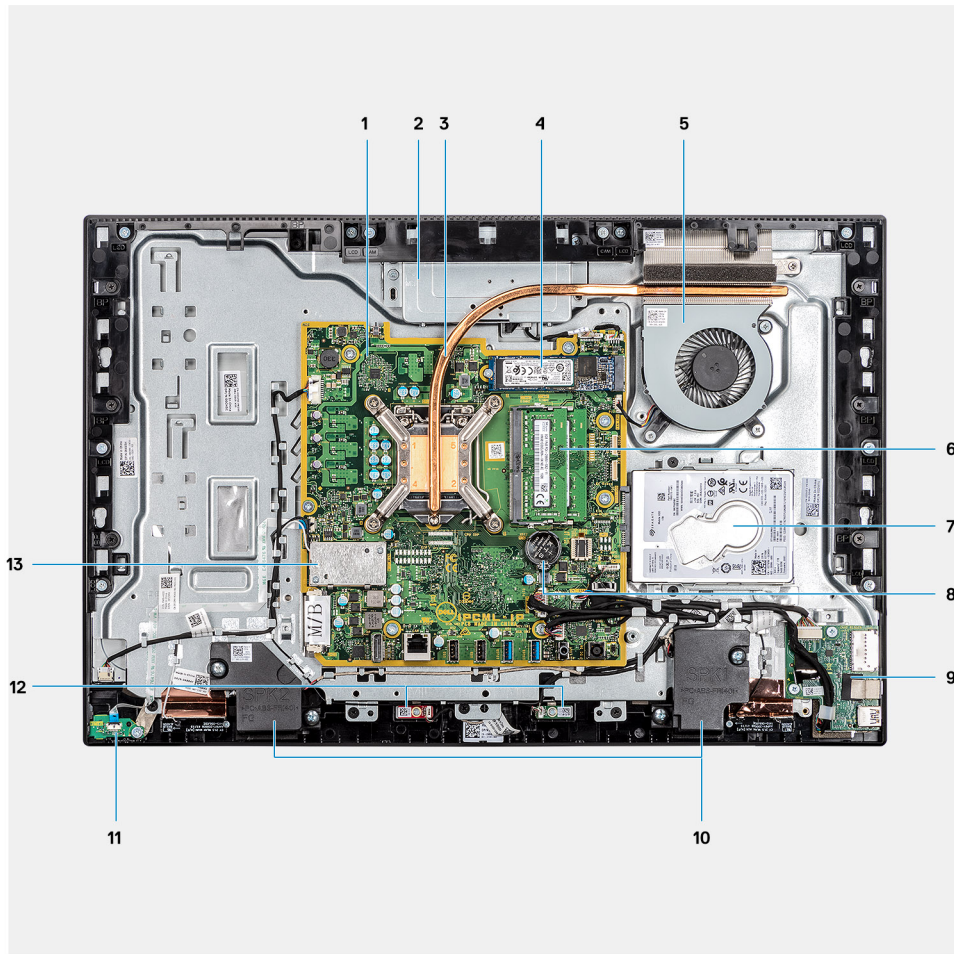
Bottom



1. Display Built-in Self Test button
2. Service tag label

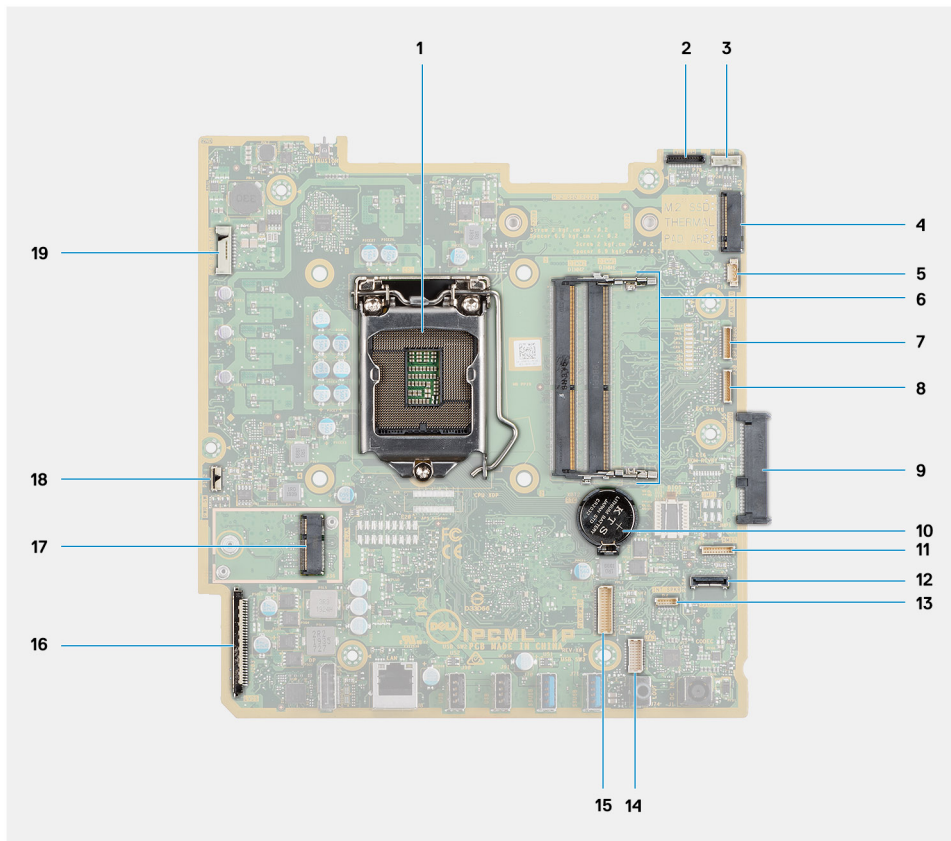
Inside view of your computer

NOTE: The appearance of heat sink differs depending on the graphics configuration you ordered.



- | | |
|------------------------|--|
| 1. System board | 2. Camera assembly |
| 3. Heat sink | 4. M.2 2230/2280 solid-state drive/Intel Optane PCIe connector |
| 5. System fan | 6. Memory module |
| 7. Hard drive | 8. Coin-cell battery |
| 9. Side-I/O board | 10. Speakers |
| 11. Power-button board | 12. Microphones |
| 13. Wireless card | |

System board layout



- | | |
|--|--|
| 1. Processor | 2. Camera cable connector |
| 3. Touch-screen cable connector | 4. M.2 2230/2280 solid-state drive/Intel Optane PCIe connector |
| 5. System-fan cable connector | 6. Memory module |
| 7. eSPI Debug Card cable connector | 8. EC debug connector |
| 9. Hard-drive connector | 10. Coin-cell battery |
| 11. Microphone-module cable connector | 12. SIO-signal cable connector |
| 13. Speaker cable connector | 14. Audio-board cable connector |
| 15. SIO-power cable connector | 16. Display cable connector |
| 17. M.2 WLAN connector | 18. Power-button cable connector |
| 19. Display back-light cable connector | |

Specifications of Dell Optiplex 3280 All-in-One

Dimensions and weight

Table 3. Dimensions and weight

| Description | Values for touch display | Values for non-touch display |
|------------------|--------------------------|------------------------------|
| Height | 329.40 mm (12.96 in.) | 329.40 mm (12.96 in.) |
| Width | 497.90 mm (19.60 in.) | 497.90 mm (19.60 in.) |
| Depth | 54.50 mm (2.14 in.) | 54.50 mm (2.14 in.) |
| Weight (maximum) | 5.11 kg (11.26 lb) | 4.68 kg (10.31 lb) |
| Weight (minimum) | 4.75 kg (10.47 lb) | 4.34 kg (9.56 lb) |

NOTE: The weight of your computer depends on the configuration ordered and the manufacturing variability.

Processors

NOTE: Global Standard Products (GSP) are a subset of Dell's relationship products that are managed for availability and synchronized transitions on a worldwide basis. They ensure the same platform is available for purchase globally. This allows customers to reduce the number of configurations managed on a worldwide basis, thereby reducing their costs. They also enable companies to implement global IT standards by locking in specific product configurations worldwide.

Device Guard (DG) and Credential Guard (CG) are the new security features that only available on Windows 10 Enterprise today. Device Guard is a combination of enterprise-related hardware and software security features. When you configure together, it locks a device down so that it can only run trusted applications. If it is not a trusted application, it cannot run. Credential Guard uses virtualization-based security to isolate secrets (credentials) so that only privileged system software can access them. Unauthorized access to these secrets can lead to credential theft attacks. Credential Guard prevents these attacks by protecting NTLM password hashes and Kerberos Ticket Granting Tickets.

NOTE: Processor numbers are not a measure of performance. Processor availability subject to change and may vary by region/country.

Table 4. Processors

| Processors | Wattage | Core count | Thread count | Speed | Cache | Integrated graphics |
|---|---------|------------|--------------|--------------------|-------|------------------------|
| 10 th Generation Intel Celeron G5900T | 35 W | 2 | 2 | 3.2 GHz | 2 MB | Intel UHD Graphics 610 |
| 10 th Generation Intel Pentium Gold G6400T | 35 W | 2 | 4 | 3.4 GHz | 4 MB | Intel UHD Graphics 610 |
| 10 th Generation Intel Pentium Gold G6500T | 35 W | 2 | 4 | 3.5 GHz | 4 MB | Intel UHD Graphics 630 |
| 10 th Generation Intel Core i3-10100T | 35 W | 4 | 8 | 3.0 GHz to 3.8 GHz | 6 MB | Intel UHD Graphics 630 |
| 10 th Generation Intel Core i3-10300T | 35 W | 4 | 8 | 3.0 GHz to 3.9 GHz | 8 MB | Intel UHD Graphics 630 |

Table 4. Processors(continued)

| Processors | Wattage | Core count | Thread count | Speed | Cache | Integrated graphics |
|--|---------|------------|--------------|--------------------|-------|------------------------|
| 10 th Generation Intel Core i5-10400T | 35 W | 6 | 12 | 2.0 GHz to 3.6 GHz | 12 MB | Intel UHD Graphics 630 |
| 10 th Generation Intel Core i5-10500T | 35 W | 6 | 12 | 2.3 GHz to 3.8 GHz | 12 MB | Intel UHD Graphics 630 |
| 10 th Generation Intel Core i5-10600T | 35 W | 6 | 12 | 2.4 GHz to 4.0 GHz | 12 MB | Intel UHD Graphics 630 |

Chipset

Table 5. Chipset

| Description | Values |
|--|---|
| Chipset | Intel B460 |
| Processor | 10 th Generation Intel Core i3/i5, Intel Celeron, and Intel Pentium Gold |
| DRAM bus width | <ul style="list-style-type: none"> • 64-bit (for single channel) • 128-bit (for dual channel) |
| Flash EPROM | 32 MB |
| PCIe bus | Up to Gen 3 |
| Non-volatile memory | Yes |
| BIOS configuration Serial Peripheral Interface (SPI) | 256 Mbit (32 MB) located at SPI_FLASH |
| Trusted Platform Module (TPM) 2.0 (Discrete TPM Enabled) | 24 KB located at TPM 2.0 on chipset |
| Firmware-TPM (Discrete TPM disabled) | By default the Platform Trust Technology feature is visible to the operating system. |
| NIC EEPROM | LOM configuration contained within SPI flash ROM instead of LOM e-fuse |

Operating system

- Windows 10 Home (64-bit)
- Windows 10 IoT Enterprise 2019 LTSC (OEM Only)
- Windows 10 Professional (64-bit)
- Windows 10 Pro Education (64-bit)
- NeoKylin 7.0 (China only)
- Ubuntu 18.04 (64-bit)

For more information about Dell OS Recovery image, see How to Download and Use the Dell OS Recovery Image in Microsoft Windows, at [Download and use the Dell OS Recovery Image](#).

Commercial platform Windows 10 N-2 and 5-year operating system supportability:

All newly introduced 2019 and later commercial platforms (Latitude, OptiPlex, and Dell Precision) will qualify and ship with the most current factory installed Semi-Annual Channel Windows 10 version (N) and qualify (but not ship) the previous two versions (N-1, N-2). The OptiPlex 3280 All-in-One will RTS with Windows 10 version v19H2 at time of launch, and this version will determine the N-2 versions that are initially qualified for this platform.

For future versions of Windows 10, Dell continues to test the commercial platform with coming Windows 10 releases during device production and for five years post-production, including both fall and spring releases from Microsoft.

For additional information about N-2 and 5-year Windows operating system supportability, see the Dell Windows as a Service (WaaS), at [Dell support site](#).

EOML 411

The All-in-One system continues to test the coming Semi-Annual Channel Windows 10 version releases for five years post-production, including both fall and spring releases from Microsoft.

Memory

Table 6. Memory specifications

| Description | Values |
|--------------------------|---|
| Slots | Two SO-DIMM slots |
| Type | DDR4, Non-ECC |
| Speed | 2666 MHz |
| Maximum memory | 64 GB |
| Minimum memory | 4 GB |
| Memory size per slot | 4 GB, 8 GB, 16 GB, 32 GB |
| Configurations supported | <ul style="list-style-type: none"> · 4 GB, 1 x 4 GB, DDR4, 2666 MHz · 8 GB, 1 x 8 GB, DDR4, 2666 MHz · 8 GB, 2 x 4 GB, DDR4, 2666 MHz · 16 GB, 1 x 16 GB, DDR4, 2666 MHz · 16 GB, 2 x 8 GB, DDR4, 2666 MHz · 32 GB, 2 x 16 GB, DDR4, 2666 MHz · 32 GB, 1 x 32 GB, DDR4, 2666 MHz · 64 GB, 2 x 32 GB, DDR4, 2666 MHz |

Ports and connectors

Table 7. External ports and connectors

| Description | Values |
|-------------------|---|
| External: | |
| Network | One RJ-45 Port 10/100/1000 Mbps (rear) |
| USB | <ul style="list-style-type: none"> · One USB 3.2 Gen 1 Type-C port (side) · One USB 3.2 Gen 1 Type-A port with PowerShare (side) · Two USB 2.0 ports with Smart Power On (rear) · Two USB 3.2 Gen 1 Type-A ports (rear) |
| Audio | <ul style="list-style-type: none"> · One Universal audio jack (side) · One Line-out audio port (rear) |
| Video | One DP++ 1.4/HDCP 2.3 port (rear) |
| Media card reader | One SD 3.0 card slot |

Table 7. External ports and connectors(continued)

| Description | Values |
|--------------------|------------------------------------|
| Docking port | Not supported |
| Power adapter port | 130 W, 7.4 mm x 5.1 mm |
| Security | One Kensington security-cable slot |

Table 8. Internal storage ports and connectors

| Description | Values |
|------------------|---|
| Internal: | |
| M.2 | <ul style="list-style-type: none"> One M.2 2230 slot for Wi-Fi and Bluetooth card One M.2 2230/2280 slot for SSD/Intel Optane <p>NOTE: To learn more about the features of different types of M.2 cards, see the knowledge base article SLN301626.</p> |

Communications

Ethernet

Table 9. Ethernet specifications

| Description | Values |
|---------------|-----------------------|
| Model number | REALTEK RTL8111HSD-CG |
| Transfer rate | 10/100/1000 Mbps |

Wireless module

Table 10. Wireless module specifications

| Description | Values | | |
|---------------------------|--|---|---|
| | Intel Wi-Fi 6 AX200 | Qualcomm QCA61x4A | Intel 3165 |
| Model number | Intel Wi-Fi 6 AX200 | Qualcomm QCA61x4A | Intel 3165 |
| Transfer rate | Up to 2400 Mbps | Up to 867 Mbps | Up to 433 Mbps |
| Frequency bands supported | 2.4 GHz/5 GHz | 2.4 GHz/5 GHz | 2.4 GHz/5 GHz |
| Wireless standards | <ul style="list-style-type: none"> Wi-Fi 802.11 a/b/g Wi-Fi 4 (WiFi 802.11n) Wi-Fi 5 (WiFi 802.11ac) Wi-Fi 6 (WiFi 802.11ax) | <ul style="list-style-type: none"> Wi-Fi 802.11 a/b/g Wi-Fi 4 (WiFi 802.11n) Wi-Fi 5 (WiFi 802.11ac) | <ul style="list-style-type: none"> Wi-Fi 802.11 a/b/g Wi-Fi 4 (WiFi 802.11n) Wi-Fi 5 (WiFi 802.11ac) |
| Encryption | <ul style="list-style-type: none"> 64-bit/128-bit WEP AES-CCMP TKIP | <ul style="list-style-type: none"> 64-bit/128-bit WEP AES-CCMP TKIP | <ul style="list-style-type: none"> 64-bit/128-bit WEP AES-CCMP TKIP |
| Bluetooth | Bluetooth 5.1 | Bluetooth 5.0 | Bluetooth 4.2 |

Audio

Table 11. Audio specifications

| Description | | Values |
|--------------------------|---------|---------------------------------|
| Controller | | Realtek codec ALC3246 |
| Stereo conversion | | Supported |
| Internal interface | | High definition audio interface |
| External interface | | Universal audio jack |
| Speakers | | Two |
| External volume controls | | Not supported |
| Speaker output: | | |
| | Average | 2 W |
| | Peak | 2.5 W |
| Subwoofer output | | Not supported |
| Microphone | | Two |

Storage

Your computer supports one of the following configurations:

- One 2.5-inch hard-disk drive
- One M.2 2230/2280 solid-state drive (class 35, 40)
- One M.2 2230/2280 solid-state drive (class 35, 40) and one 2.5-inch hard-disk drive
- Dual M.2 2230/2280 solid-state drives (class 35, 40)
- Dual M.2 2230/2280 solid-state drives (class 35, 40) and one 2.5-inch hard-disk drive
- One 2.5-inch hard-disk drive and one M.2 16 GB/32 GB Intel Optane Memory

The primary drive of your computer varies with the storage configuration. For computers:

- With a M.2 drive, the M.2 drive is the primary drive
- Without a M.2 drive, the 2.5-inch hard-disk drive is the primary drive
- With a M.2 16 GB/32 GB Intel Optane memory, the 2.5-inch hard-disk drive is the primary drive

Table 12. Storage specifications

| Storage type | Interface type | Capacity |
|--|--------------------|--------------|
| 2.5-inch, 7200 RPM, Hard-disk drive | SATA | Up to 1 TB |
| 2.5-inch, 7200 RPM, Opal Self-Encrypting Hard-disk drive | FIPS SATA | Up to 500 GB |
| 2.5-inch, 5400 RPM, Hard-disk drive | SATA | Up to 2 TB |
| M.2 2230, PCIe NVMe, Class 35 solid-state drive | Gen 3 PCIe x4 NVMe | Up to 512 GB |
| M.2 2230, PCIe NVMe, Opal Self-Encrypting Class 35 solid-state drive | Gen 3 PCIe x4 NVMe | Up to 256 GB |
| M.2 2280, PCIe NVMe, Class 40 solid-state drive | Gen 3 PCIe x4 NVMe | Up to 2 TB |

Table 12. Storage specifications(continued)

| Storage type | Interface type | Capacity |
|--|--------------------|------------|
| M.2 2280, PCIe NVMe, Opal Self-Encrypting Class 40 solid-state drive | Gen 3 PCIe x4 NVMe | Up to 1 TB |

Intel Optane memory

Intel Optane memory functions only as a storage accelerator. It neither replaces nor adds to the memory (RAM) installed on your computer.

NOTE: Intel Optane memory is supported on computers that meet the following requirements:

- 7th Generation or higher Intel Core i3/i5/i7 processor
- Windows 10 64-bit version or higher (Anniversary Update)
- Latest version of Intel Rapid Storage Technology driver

Table 13. Intel Optane memory

| Description | Values |
|--------------------------|--------------------|
| Type | Memory |
| Interface | Gen 3 PCIe x4 NVMe |
| Connector | M.2 2280 |
| Configurations supported | 16 GB, 32 GB |
| Capacity | Up to 32 GB |

Media-card reader

Table 14. Media-card reader specifications

| Description | Values |
|-----------------|---|
| Type | One Secure Digital (SD) 3.0 card |
| Cards supported | <ul style="list-style-type: none"> • Secure Digital High Capacity (SDHC) • Secure Digital Extended Capacity (SDXC) • Secure Digital (SD) 3.0 • SD UHS-I (UHS50) |

Camera

Table 15. Full HD Infrared Webcam (with Windows Hello support)

| Description | Values |
|-------------------|------------------------------------|
| Number of cameras | Two |
| Type | FHD RGB camera/VGA Infrared camera |
| Location | Front camera |
| Sensor type | CMOS sensor technology |

Table 15. Full HD Infrared Webcam (with Windows Hello support)(continued)

| Description | | Values |
|------------------------|--|-----------------------------|
| Resolution | | |
| Camera | | |
| Still image | | 2.07 megapixel |
| Video | | 1920 x 1080 (FHD) at 30 fps |
| Infrared camera | | |
| Still image | | 0.30 megapixel |
| Video | | 640 x 480 (VGA) at 30 fps |
| Diagonal viewing angle | | |
| Camera | | 77.5 degrees |
| Infrared camera | | 82.8 degrees |

Table 16. Full HD Webcam

| Description | | Values |
|------------------------|--|-----------------------------|
| Number of cameras | | One |
| Type | | FHD RGB camera |
| Location | | Front camera |
| Sensor type | | CMOS sensor technology |
| Resolution | | |
| Camera | | |
| Still image | | 2.07 megapixels |
| Video | | 1920 x 1080 (FHD) at 30 fps |
| Diagonal viewing angle | | 77.4 degrees |

Power adapter

Table 17. Power adapter specifications

| Description | Values |
|-----------------------------|-------------------|
| Type | 130 W |
| Diameter (connector) | 7.4 mm x 5.1 mm |
| Input voltage | 100 VAC x 240 VAC |
| Input frequency | 50 Hz x 60 Hz |
| Input current (maximum) | 1.80 A |
| Output current (continuous) | 6.70 A |
| Rated output voltage | 19.50 VDC |

Table 17. Power adapter specifications(continued)

| Description | | Values |
|--------------------|-----------|--------------------------------|
| Temperature range: | | |
| | Operating | 0°C to 40°C (32°F to 104°F) |
| | Storage | -40°C to 70°C (-40°F to 158°F) |

Display

Table 18. Display specifications

| Description | Values for touch display | Values for non-touch display |
|-----------------------------|--|--|
| Type | Full High Definition (FHD) | Full High Definition (FHD) |
| Panel technology | Wide Viewing Angle (WVA) | Wide Viewing Angle (WVA) |
| Luminance | <ul style="list-style-type: none"> · 250 Nits (Typical) · 200 Nits (minimum) | <ul style="list-style-type: none"> · 250 Nits (Typical) · 200 Nits (minimum) |
| Dimensions (Active area): | | |
| | Height | 287 mm (11.29 in.) |
| | Width | 489.3 mm (19.26 in.) |
| | Diagonal | 546.1 mm (21.5 in.) |
| Native resolution | 1920 x 1080 | 1920 x 1080 |
| Megapixels | 16.7 million colors | 16.7 million colors |
| Color gamut | 72% NTSC typical | 72% NTSC typical |
| Pixels per inch (PPI) | 102 | 102 |
| Contrast ratio (min) | 700:1 | 700:1 |
| Response time (max) | 25 ms | 25 ms |
| Refresh rate | 60 Hz | 60 Hz |
| Horizontal view angle | <ul style="list-style-type: none"> · 85 +/-degrees (minimum) · 89 +/-degrees (typical) | <ul style="list-style-type: none"> · 85 +/-degrees (minimum) · 89 +/-degrees (typical) |
| Vertical view angle | <ul style="list-style-type: none"> · 85 +/-degrees (minimum) · 89 +/-degrees (typical) | <ul style="list-style-type: none"> · 85 +/-degrees (minimum) · 89 +/-degrees (typical) |
| Pixel pitch | 0.24 x 0.24 mm | 0.24 x 0.24 mm |
| Power consumption (maximum) | 14.7 W | 14.7 W |
| Anti-glare vs glossy finish | Truelife | Anti-glare |

Video

Table 19. Integrated graphics specifications

| Integrated graphics | | | |
|------------------------|--------------------------|----------------------|---|
| Controller | External display support | Memory size | Processor |
| Intel UHD 610 Graphics | DP++1.4/HCCP 2.3 | Shared system memory | <ul style="list-style-type: none"> 10th Generation Intel Celeron G5900T 10th Generation Intel Pentium Gold G6400T |
| Intel UHD 630 Graphics | DP++1.4/HCCP 2.3 | Shared system memory | 10 th Generation Intel Core i3/i5 and Intel Pentium Gold G6500T |

Computer environment

Airborne contaminant level: G1 as defined by ISA-S71.04-1985

Table 20. Computer environment

| Description | Operating | Storage |
|-----------------------------|----------------------------------|-----------------------------------|
| Temperature range | 10°C to 35°C (50°F to 95°F) | -40°C to 65°C (-40°F to 149°F) |
| Relative humidity (maximum) | 20% to 80% (non-condensing) | 5% to 95% (non-condensing) |
| Vibration (maximum)* | 0.26 GRMS | 1.37 GRMS |
| Shock (maximum) | 40 G† | 105 G† |
| Altitude (maximum) | 0 m to 3048 m (0 ft to 10000 ft) | 0 m to 10668 m (0 ft to 35000 ft) |

* Measured using a random vibration spectrum that simulates user environment.

† Measured using a 2 ms half-sine pulse when the hard drive is in use.

Security

Table 21. Security

| Security options |
|--|
| Kensington lock |
| Dell Lockable port cover (optional) |
| Chassis lock slot support |
| Noble Custom AIO Plate Lock (optional) |
| Supply chain tamper alerts |
| Chassis intrusion switch |
| Trusted Platform Module (Discrete TPM Enabled) |
| SafeBIOS including Dell Off-host BIOS Verification |
| BIOS Resilience |
| BIOS Recovery, and additional BIOS Controls |

Table 21. Security (continued)

| Security options |
|--|
| SafeID including Trusted Platform Module (TPM) 2.0 |
| Self-Encrypting Drives (SED) |
| Smart card keyboard (FIPS) |
| D-Pedigree (Secure Supply Chain Functionality) |
| Dell wired mouse with fingerprinter reader |

Data security

Table 22. Data security

| Data security options |
|---|
| McAfee® Small Business Security 30 Day Free Trial |
| McAfee® Small Business Security 12-month subscription |
| McAfee® Small Business Security 36-month Subscription |
| SafeGuard and Response, which is powered by VMware Carbon Black and Secureworks |
| Next Generation Anti-virus (NGAV) |
| Endpoint Detection and Response (EDR) |
| Threat Detection and Response (TDR) |
| Managed Endpoint Detection and Response |
| Incident Management Retainer |
| Emergency Incident Response |
| SafeData |

Environmental

Table 23. Environmental specifications

| Feature | Values |
|--|----------|
| Recyclable packaging | Yes |
| BFR/PVC—free chassis | No |
| Vertical orientation packaging support | Yes |
| Multi-Pack packaging | No |
| Energy-Efficient Power Supply | Standard |
| ENV0424 compliant | Yes |

NOTE: Wood-based fiber packaging contains a minimum of 35% recycled content by total weight of wood-based fiber. Packaging that contains without wood-based fiber can be claimed as Not Applicable. The anticipated required criteria for EPEAT 2018.

Regulatory

Table 24. Regulatory

| Regulatory compliance |
|--|
| EPEAT registered configurations available |
| ENERGY STAR compliant configurations available |
| TCO 8.0 certified configurations available |
| CEL |
| WEEE |
| Japan Energy Law |
| South Korea E-standby |
| South Korea Eco-label |
| EU RoHS |
| China RoHS |

Accessories

Table 25. Accessories

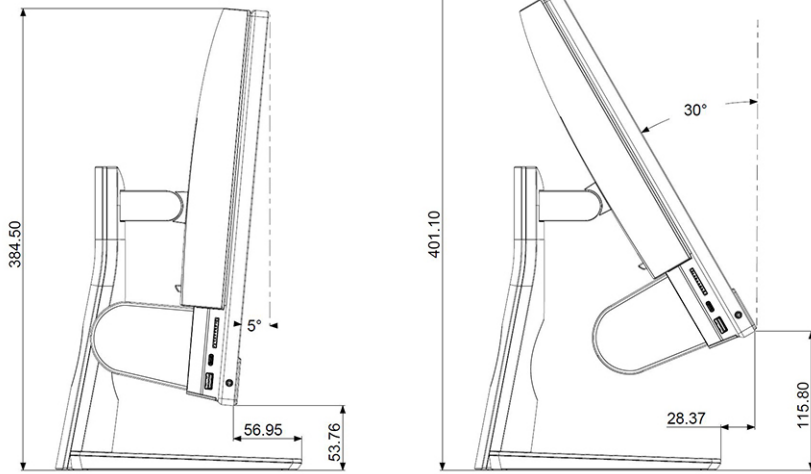
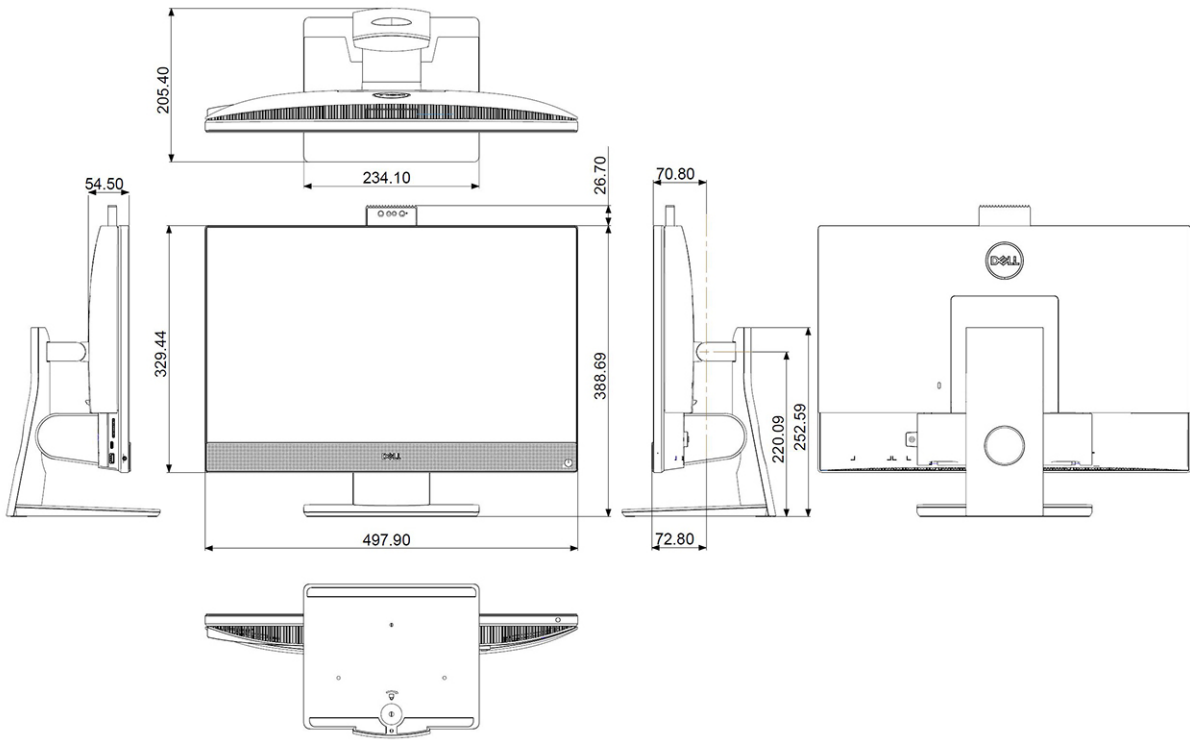
| Accessories |
|--|
| <p>Audio</p> <p>Optional external speakers, Dell Pro Stereo Headset UC350</p> |
| <p>Keyboard</p> <p>Dell wired keyboard, Dell wireless keyboard, Dell Smart Card keyboard</p> |
| <p>Mouse</p> <p>Dell wired mouse, Dell wireless mouse, Dell USB Laser mouse, Dell Fingerprint Reader mouse</p> |
| <p>Stylus</p> <p>Targus Stylus for Capacitive Touch Devices</p> |
| <p>Additional Monitor</p> <p>Qualified with select Dell UltraSharp, Professional, and E-series monitors</p> |
| <p>Locks</p> <p>Noble custom AIO Plate Lock, Dell Combination Lock LC300, Dell Premium Lock LP500, KensingtonTwin Head Lock, Dell Lockable Port Cover</p> |
| <p>Stands</p> <ul style="list-style-type: none"> · Fixed Stand · Articulating Stand · Height Adjustable Stand · Height Adjustable Stand with Optical Disk Drive |

OptiPlex 3280 All-in-One stands

Fixed stand



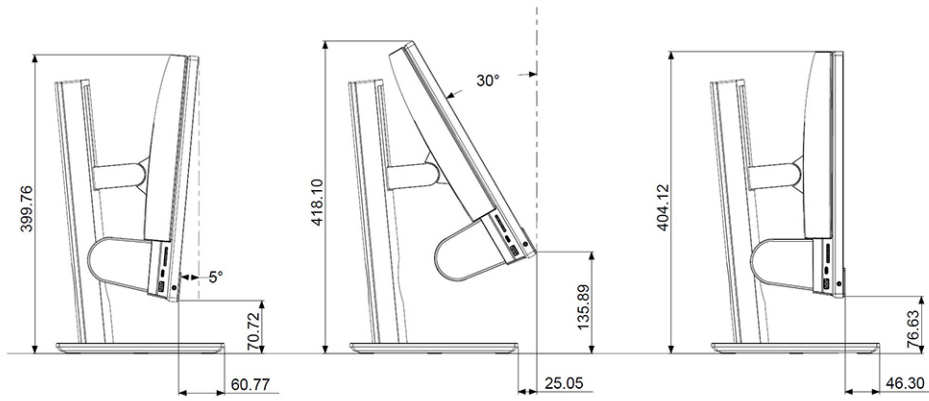
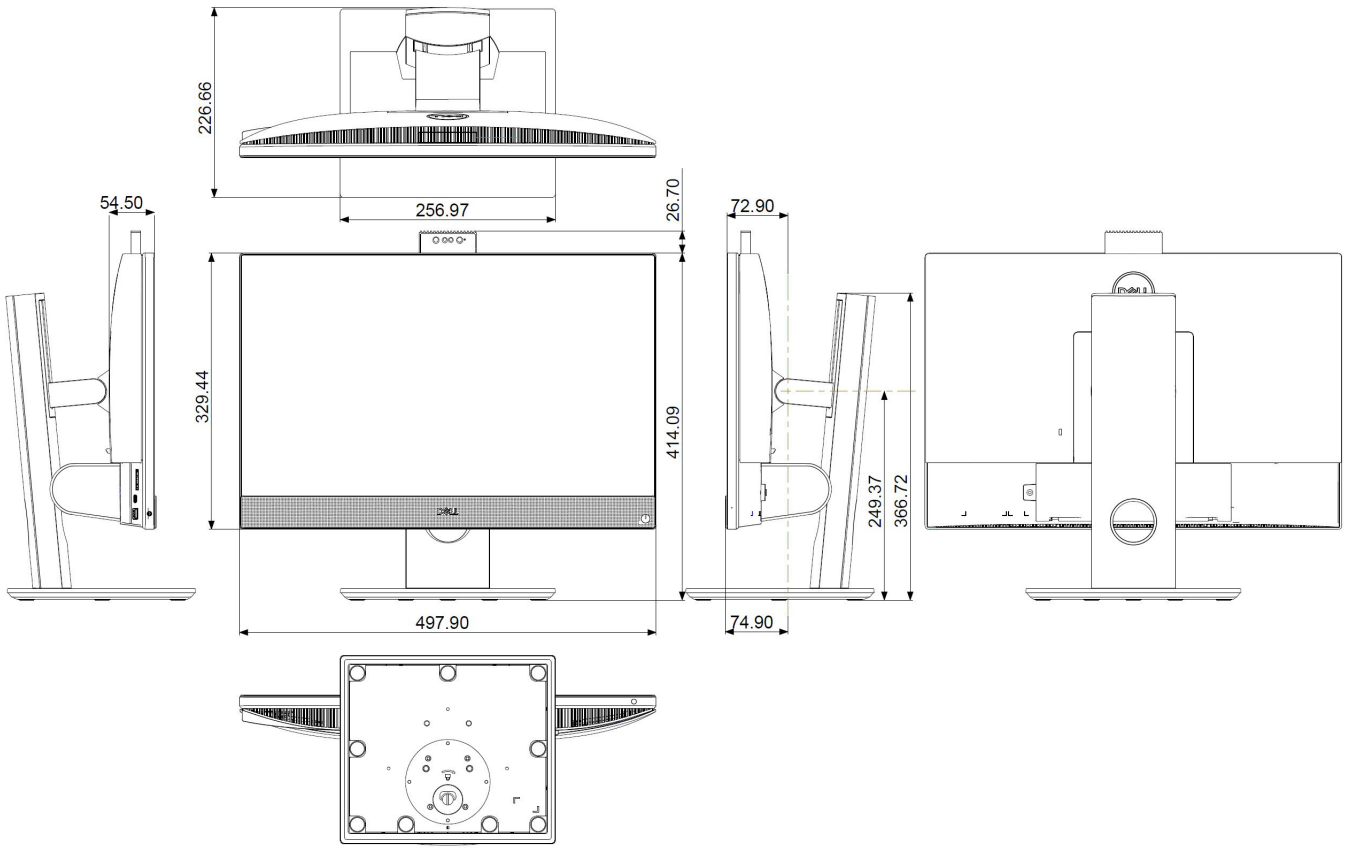


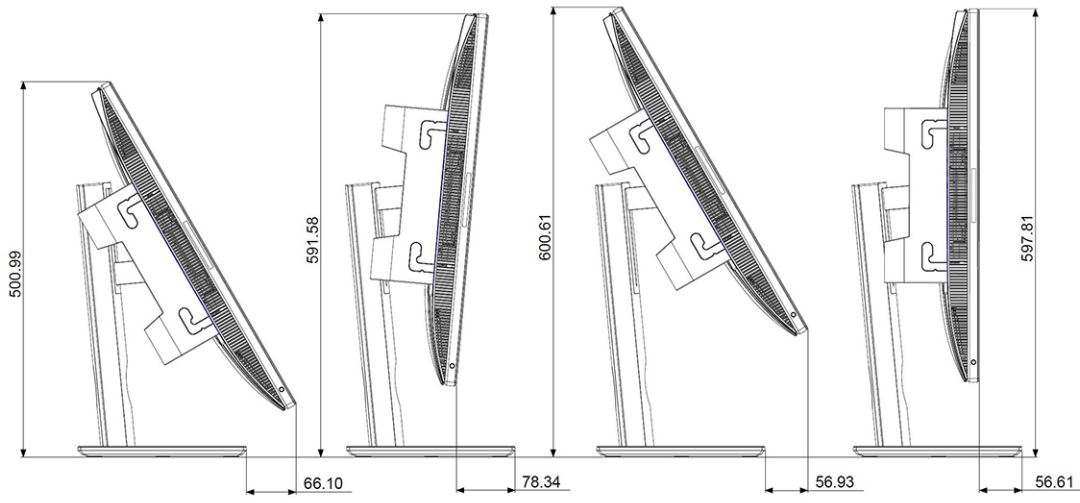


Height Adjustable Stand (HAS)



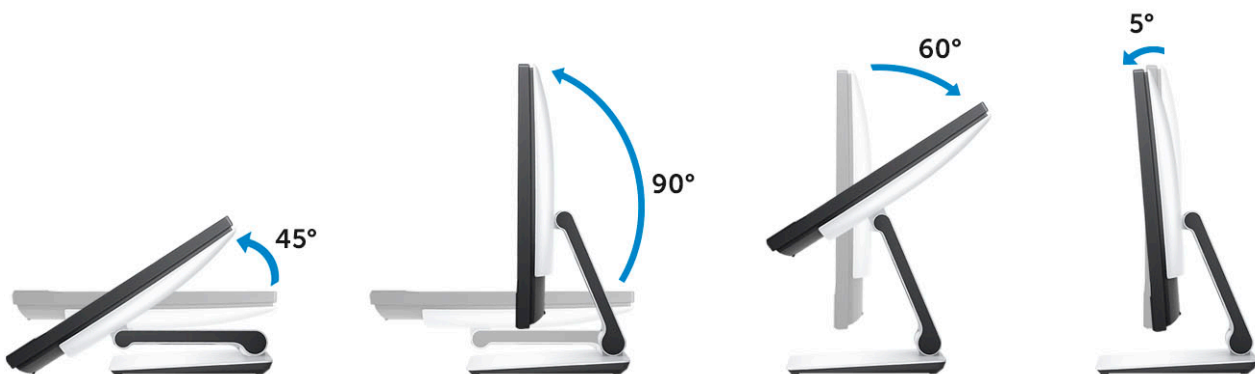


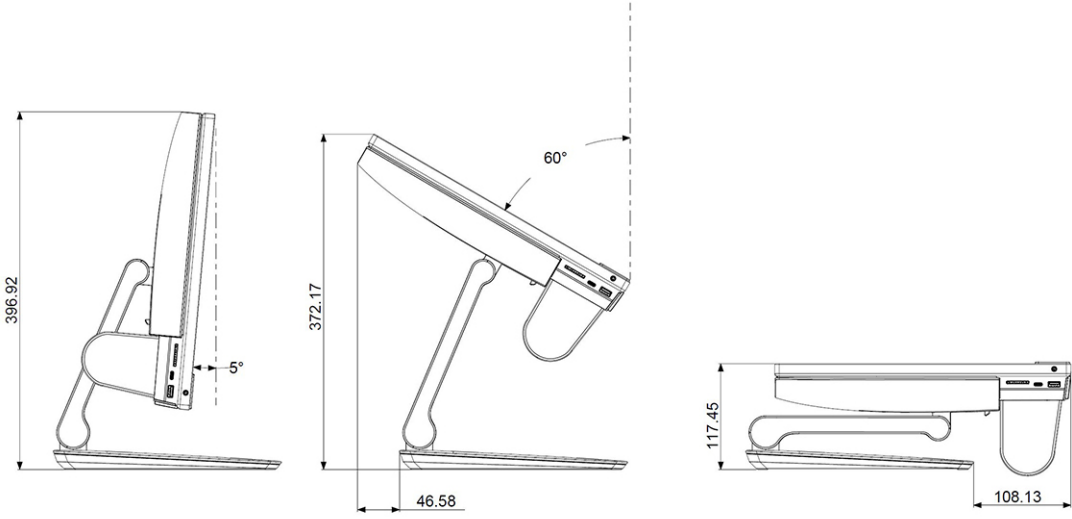
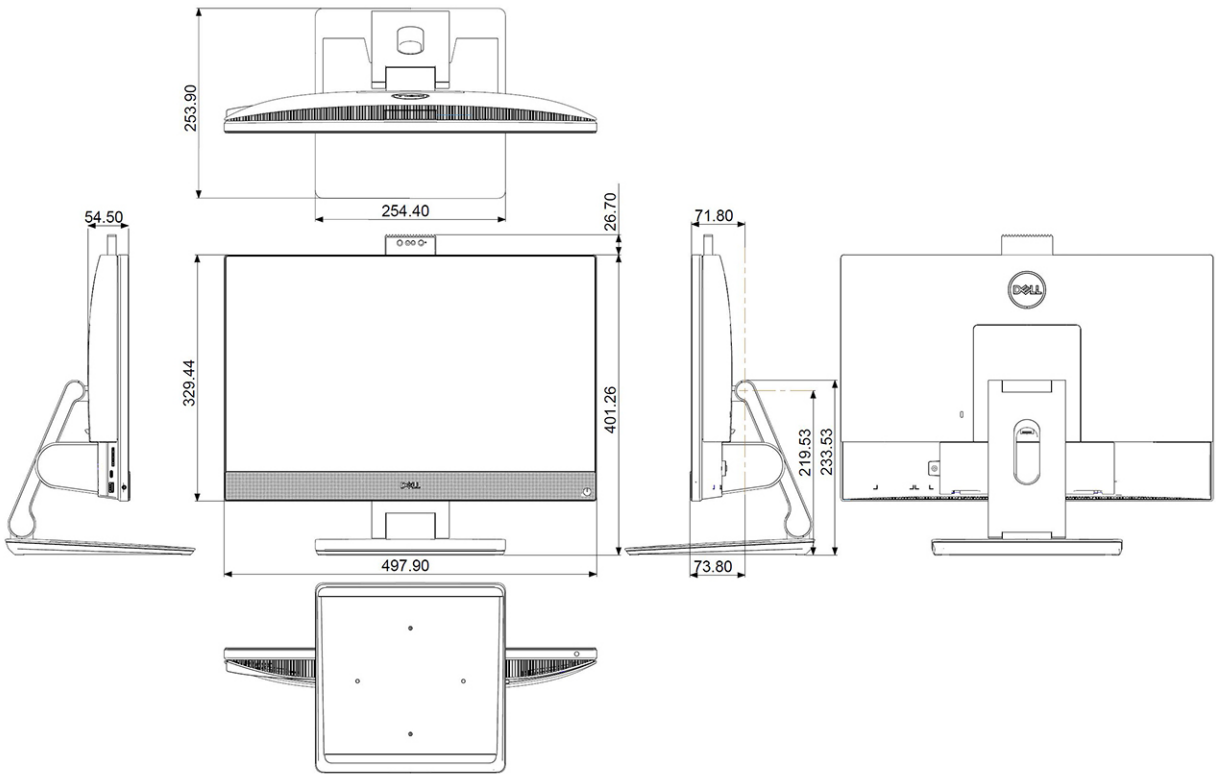




IMPALA SYSTEM ROTATE 90 DEGREE

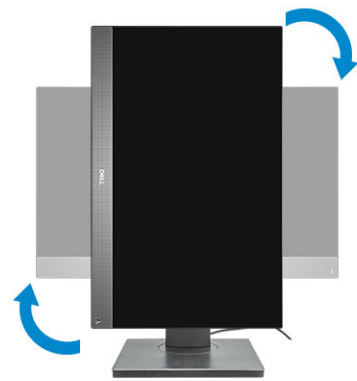
All-in-One Articulating stand

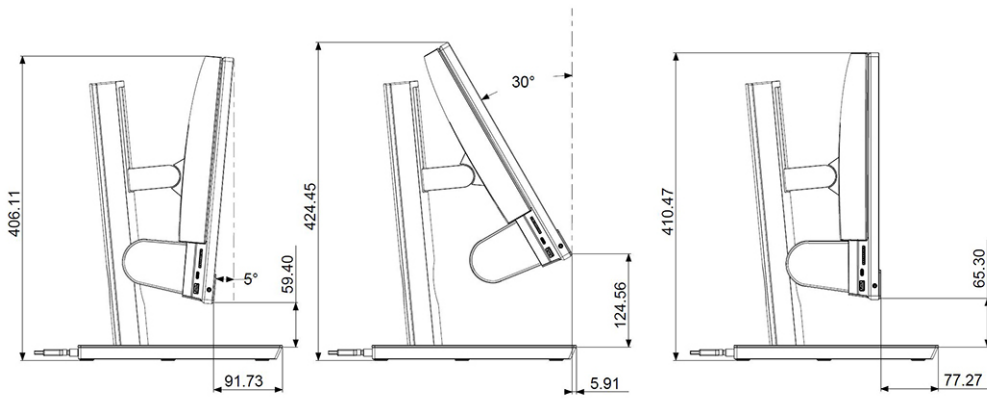
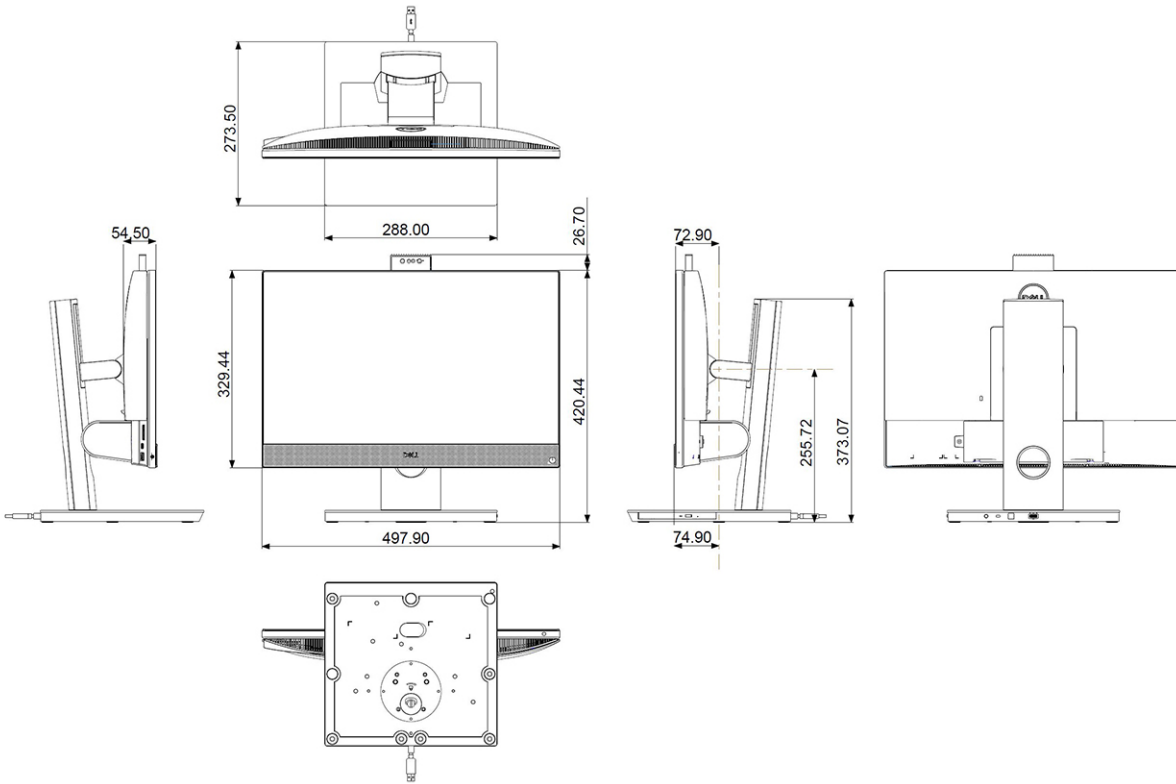


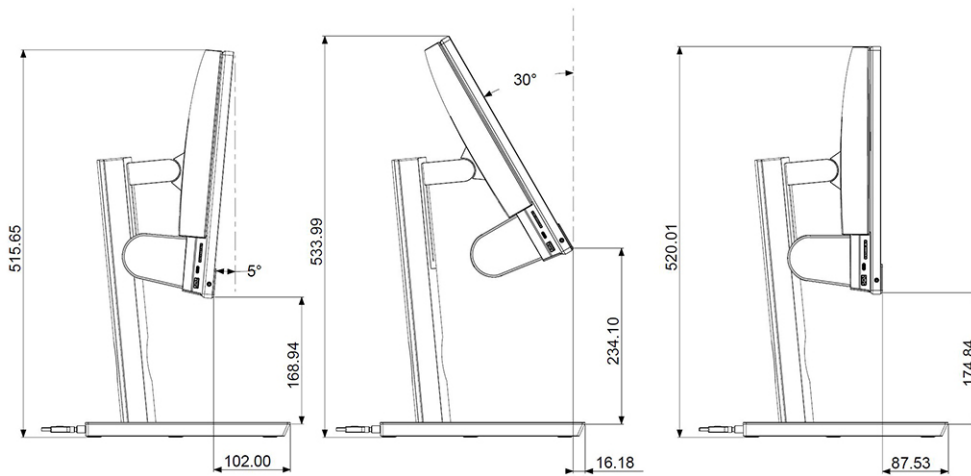


Height Adjustable Stand with Optical Disk Drive









Service and support

Table 26. Service and support


| Warranty | Accidental Damage Service |
|--|---|
| 1 Years Hardware Service with Onsite/In-Home Service after Remote Diagnosis, warranty extensions up to 5 years | Accidental Damage Service is available to complement certain warranty options Optional. |
| ProSupport with Next Business Day Onsite Service is available to complement certain warranty options. | |
| ProSupport Plus for Client is available to complement certain warranty options. | |

Getting help and contacting Dell

Self-help resources

You can get information and help on Dell products and services using these self-help resources:

Table 27. Self-help resources

| Self-help resources | Resource location |
|--|---|
| Information about Dell products and services | www.dell.com |
| Tips |  |
| Contact Support | In Windows search, type <code>Contact Support</code> , and press Enter. |
| Online help for operating system | www.dell.com/support/windows www.dell.com/support/linux |
| Troubleshooting information, user manuals, setup instructions, product specifications, technical help blogs, drivers, software updates, and so on. | www.dell.com/support |
| Dell knowledge base articles for a variety of computer concerns. | <ol style="list-style-type: none"> 1. Go to https://www.dell.com/support/home/?app=knowledgebase. 2. Type the subject or keyword in the Search box. 3. Click Search to retrieve the related articles. |

Contacting Dell

To contact Dell for sales, technical support, or customer service issues, see www.dell.com/contactdell.

NOTE: Availability varies by country and product, and some services may not be available in your country.

NOTE: If you do not have an active internet connection, you can find contact information on your purchase invoice, packing slip, bill, or Dell product catalog.