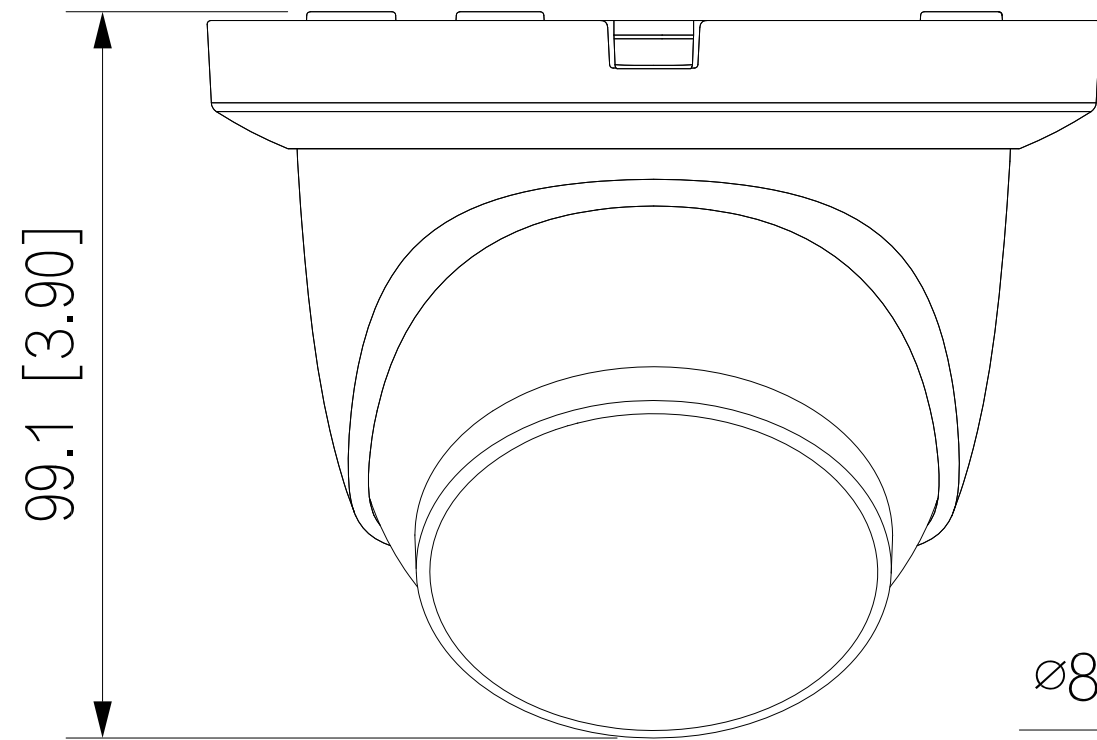


mm [inch]



ø84.0 [ø3.31]

ø121.9 [ø4.80]

