

**iiyama**

# MOUNTING BRACKET for webcam User manual

## CHECKING THE CONTENTS OF THE PACKAGE

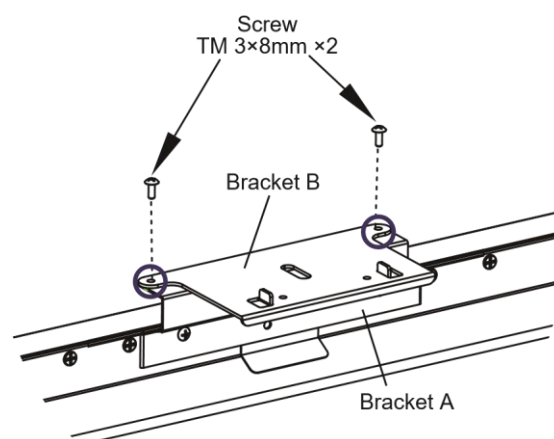
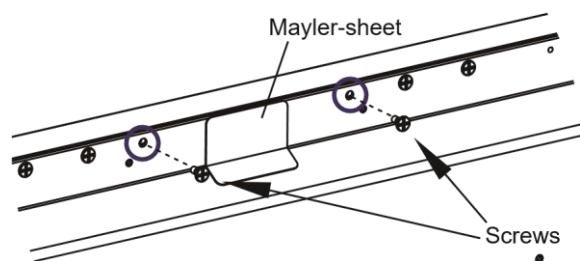
The following accessories are included in your package. If anything is missing or damaged, please contact your local iiyama dealer or regional iiyama office.

- Bracket A
- Bracket B
- Screw PWM4x8 : 2pcs
- Screw TM3x8 : 4pcs
- User Manual (this document)

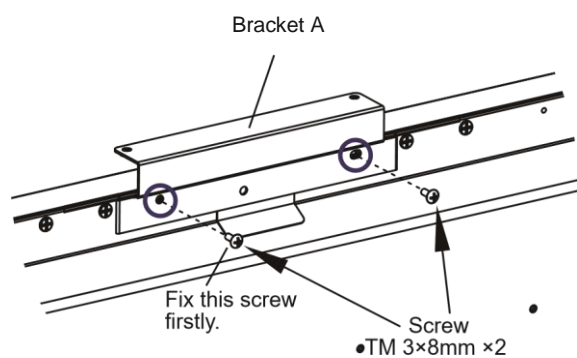
## INSTALLATION

A screwdriver is needed for installation / removal.

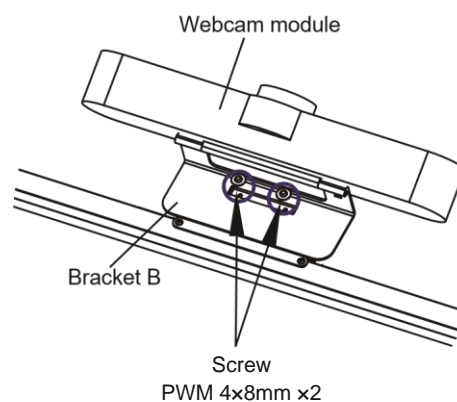
1. Remove two screws on both sides of the Mylar sheet at the top 3. Attach the Bracket B on top of the Bracket A and tighten those of the back of the monitor. with the screws (TM 3 × 8 mm 2pcs).

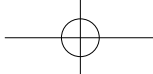


2. Attach the Bracket A to the monitor and tighten those with the screws (TM 3 × 8 mm 2pcs).



4. Attach your camera module to the Bracket B and tighten those with the screws (PWM 4 × 8 mm 2pcs).





M283A01

**iiyama**

TE86\_75\_6504MIS\_mounting-bracket-webcam&NUC-manual.indd 12020/11/30 17:54:27

# MOUNTING BRACKET for NUC

## User manual

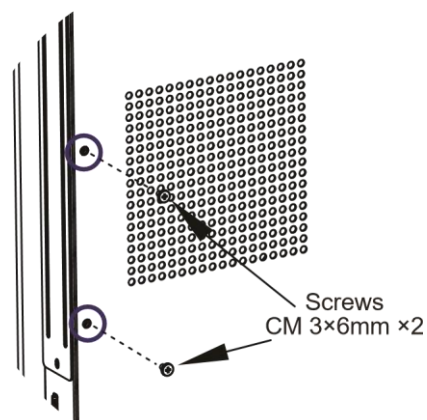
### CHECKING THE CONTENTS OF THE PACKAGE

The following accessory is included in your package. If anything is missing or damaged, please contact your local iiyama dealer or regional iiyama office.

- Bracket NUC

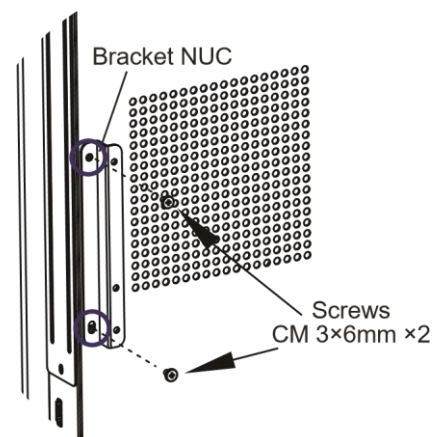
### INSTALLATION

A screwdriver is needed for installation / removal.



1. Remove the screws (CM 3 × 6 mm 2pcs) on the back of the monitor.

2. Attach the Bracket NUC to the monitor and tighten those with the screws (CM 3 × 6 mm 2pcs).



3. Attach your NUC to the Bracket NUC and tighten those with the screws (NUC accessory M4 screw 2pcs).

