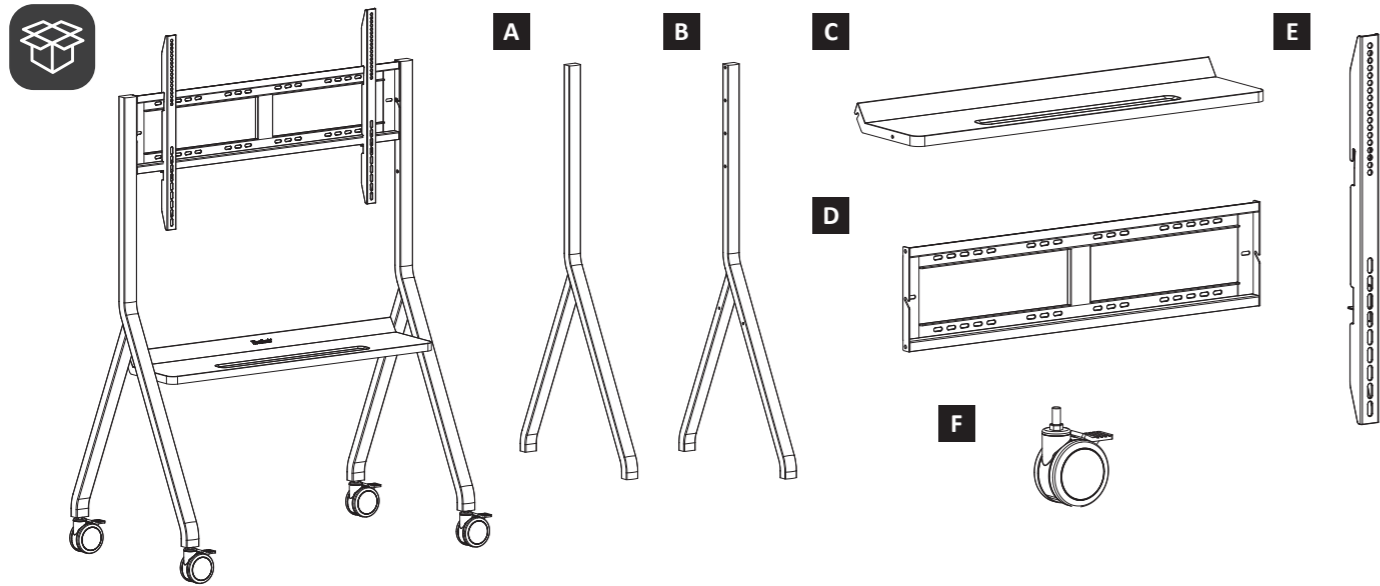
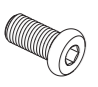
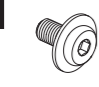







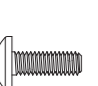
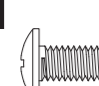
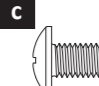
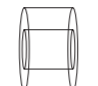



VB-STND-009

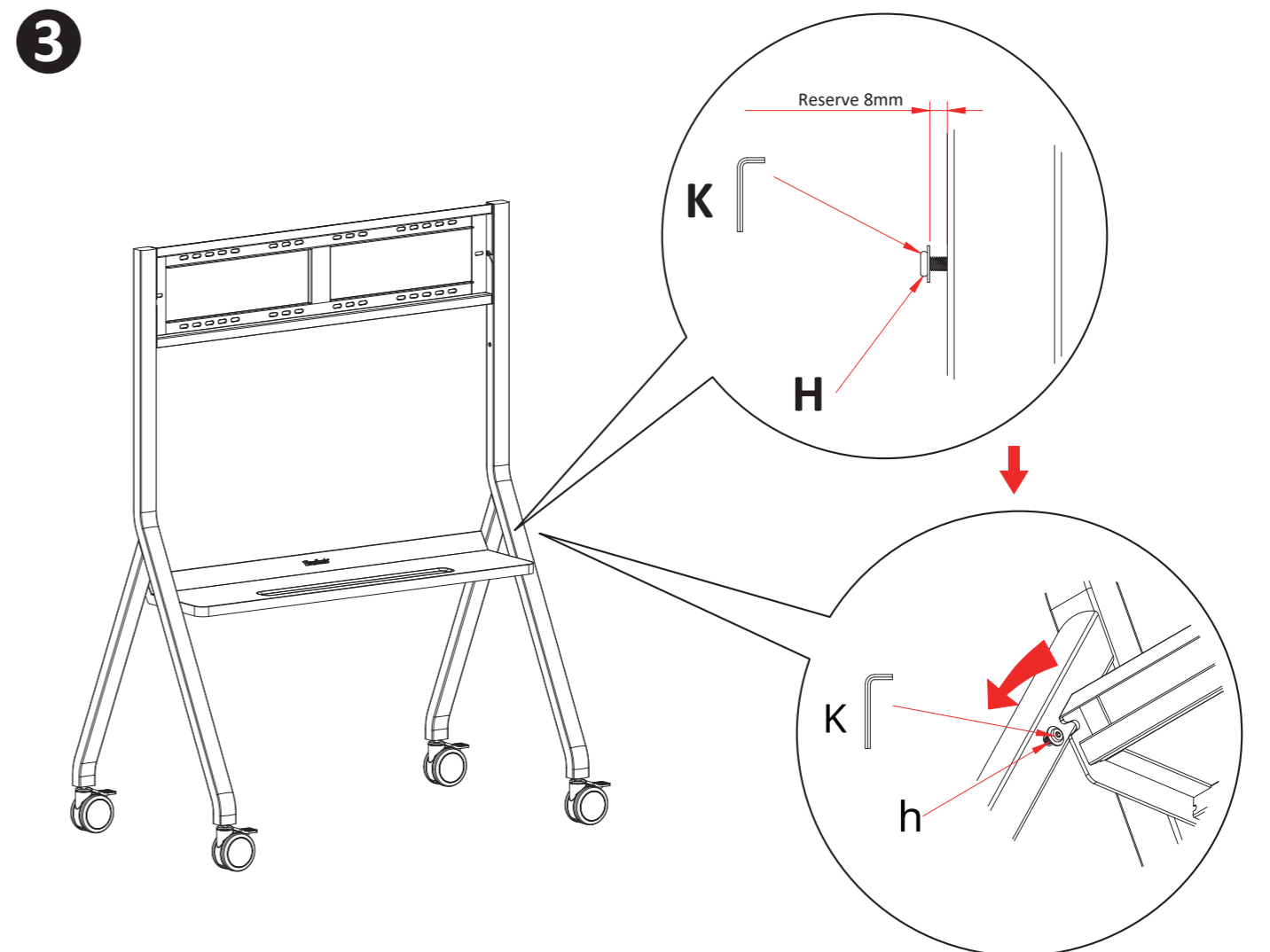
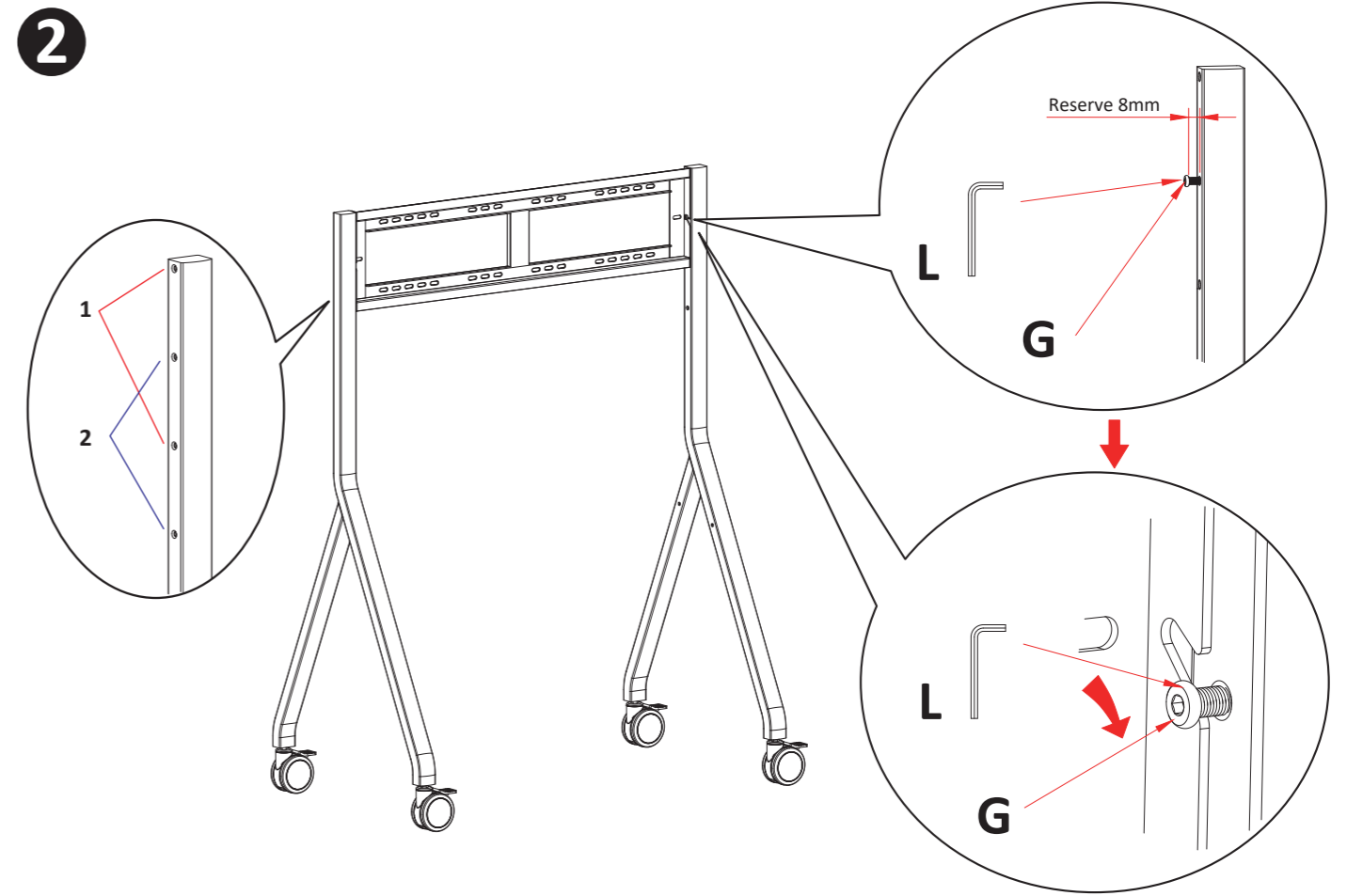
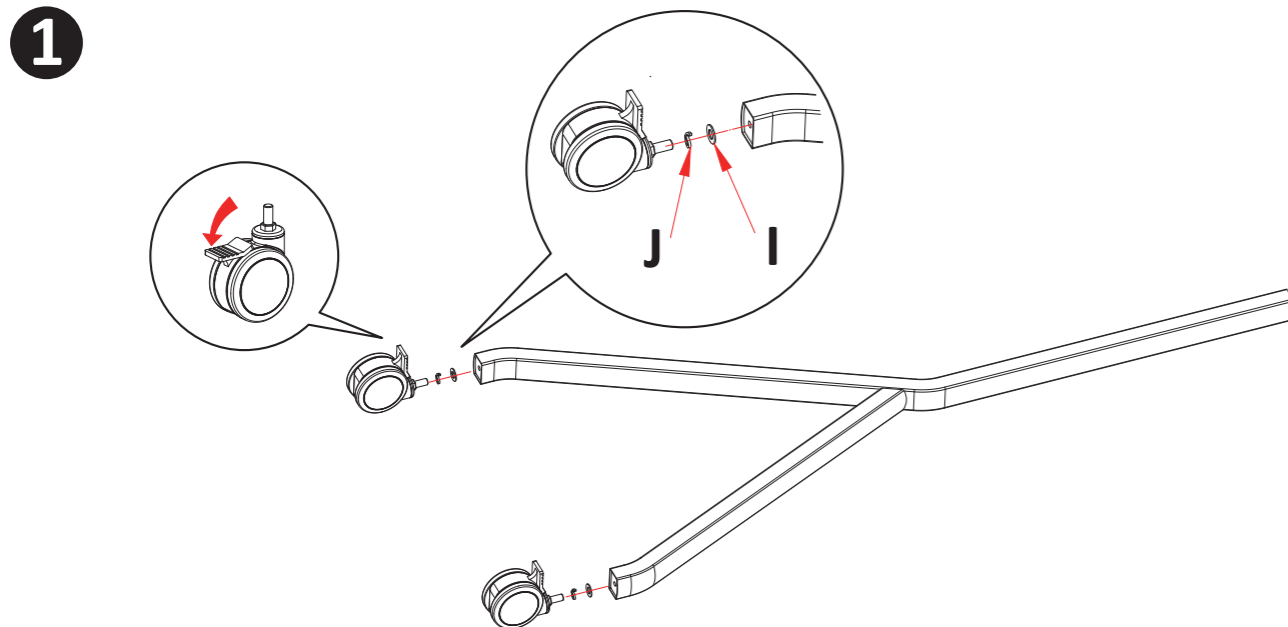
Safety Instruction

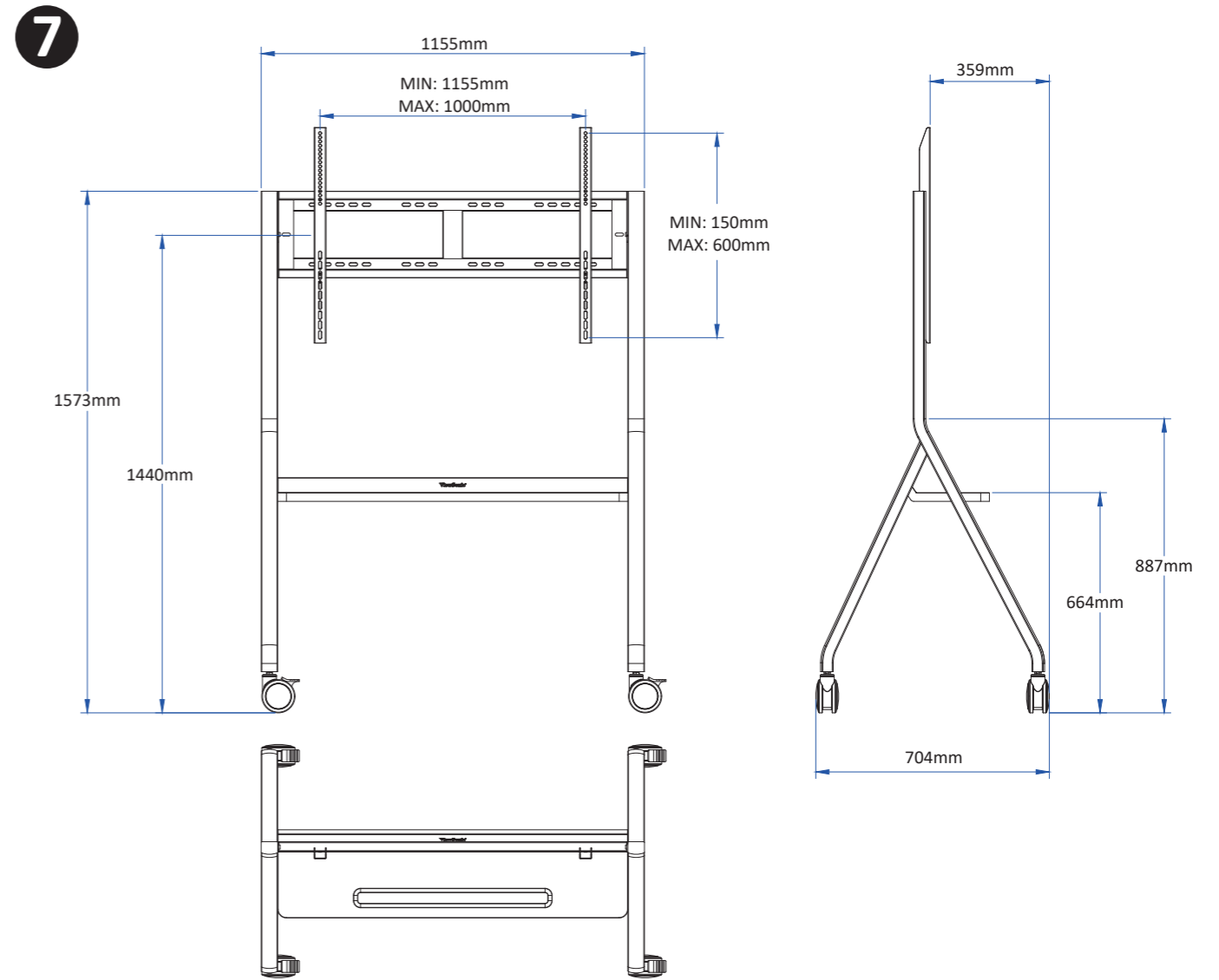
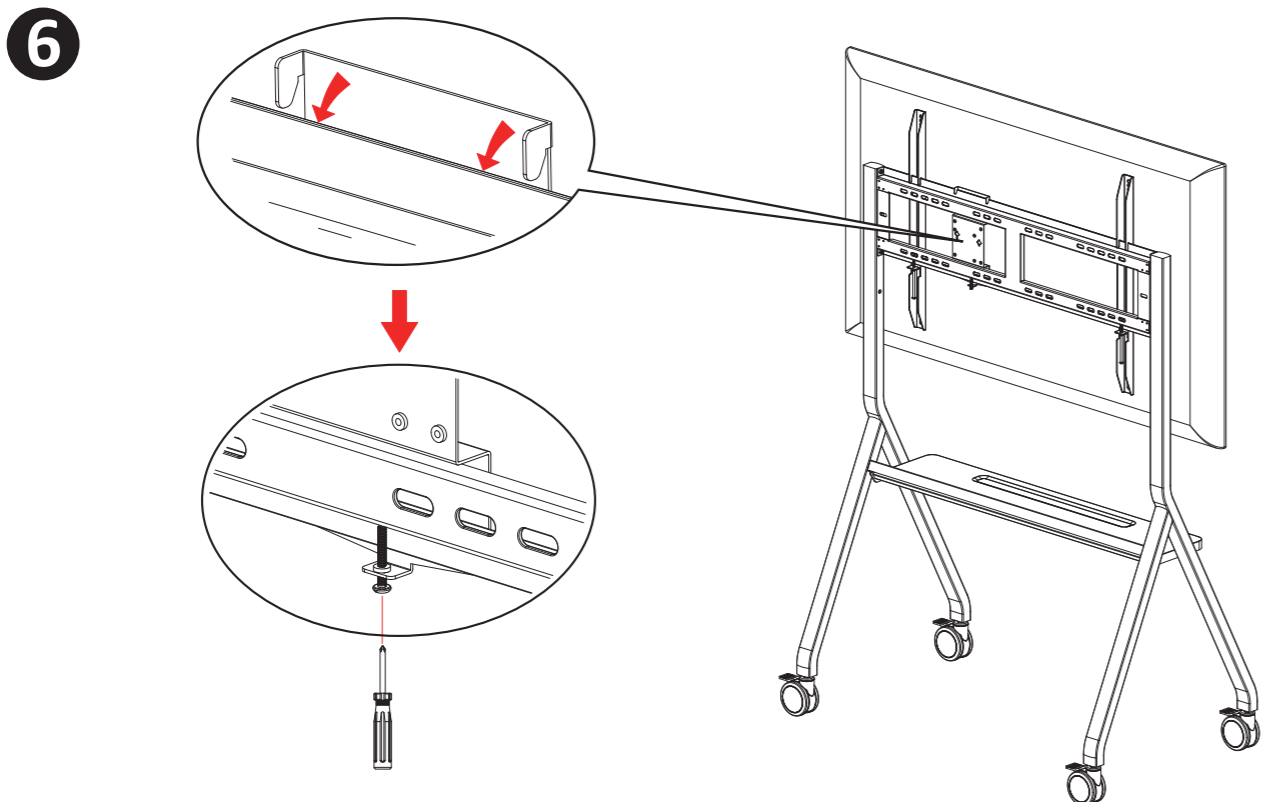
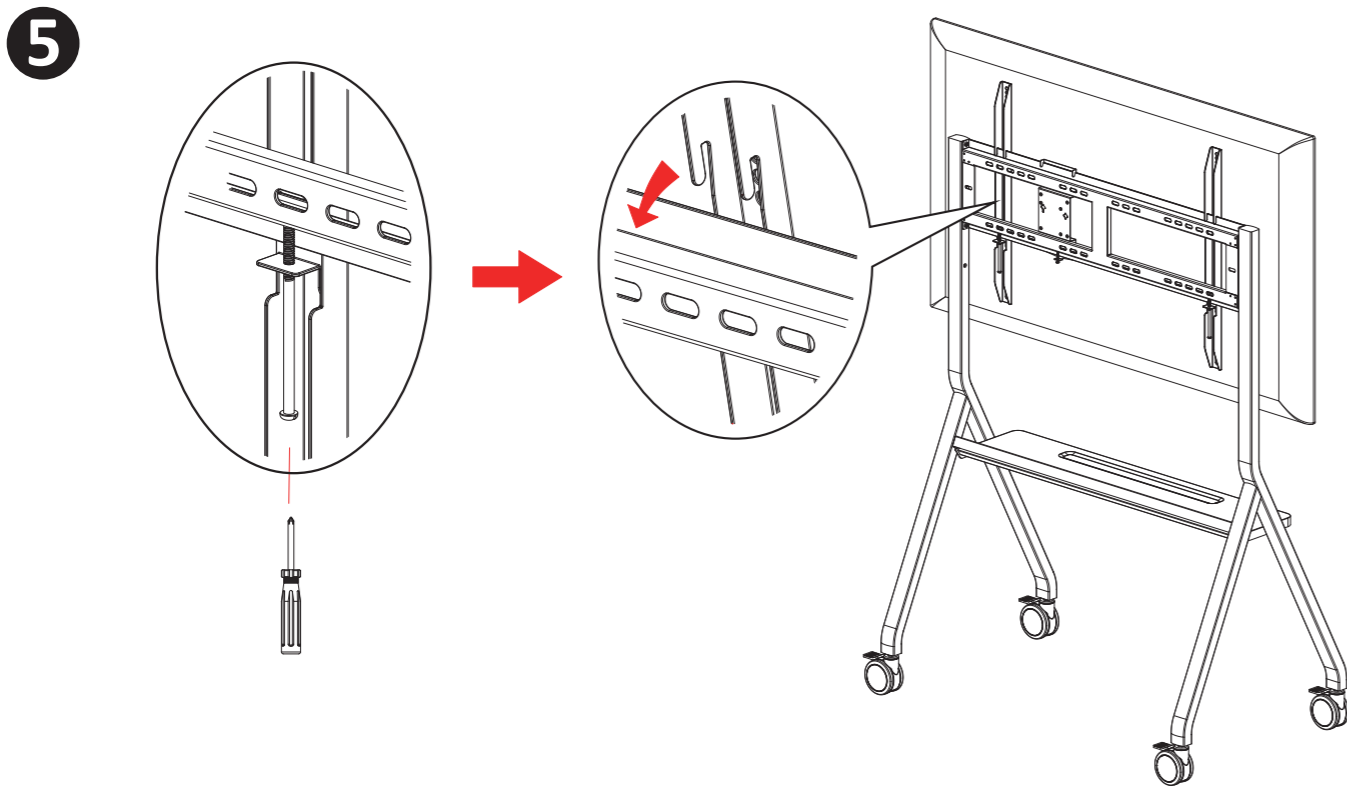
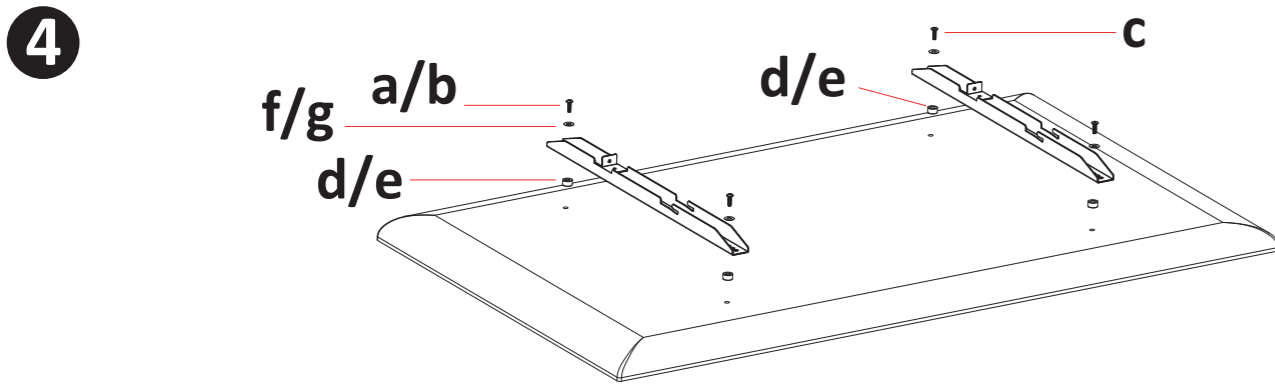
Quick Start Guide



G 	H 	I 	J 	K 	L 	 cross-head screwdriver (self-provided)
M8*16 screw 6 pcs	M6*12 screw 4 pcs	24*12.5*1.5 washer 4 pcs	20*Ø12.5*3.1 spring washer 4 pcs	4mm inner hex wrench	5mm inner hex wrench	

a 	b 	c 	d 	e 	f 	g 
M4X12 screw 4pcs	M6X25 screw 4pcs	M8X35 screw 4pcs	Ø18*8.5*10mm spacer 4pcs	Ø18*9*2.5mm spacer 8pcs	M5 washer 4pcs	M6 washer 4pcs





! WARNING

- ⚠ **WARNING** - For use with televisions weighing 264.6 lbs (120 Kg) & Max 105" Monitor or less, Pallet load shall not exceed 33 lbs (15KG). Use with heavier televisions may result in instability causing tip over resulting in death or serious injury.
- ⚠ **WARNING** – Risk of death or serious injury. For use with TVs 1-3 inches thick.
- ⚠ **WARNING** -Death or serious injury may occur when children climb on audio and/or video equipment furniture. A remote control or toys placed on the furnishing may encourage a child to climb on the furnishing and as a result the furnishing may tip over on to the child.
- ⚠ **WARNING** -Relocating audio and/or video equipment to furniture not specifically designed to support audio and/or video equipment may result in death or serious injury due to the furnishing collapsing or over turning onto a child.

ViewSonic Corporation
 14035 Pipeline Ave. Chino, CA 91710, USA
ViewSonic Europe Ltd.
 (UK) 6th Floor Westminster Tower, 3 Albert Embankment, London SE1 7SP
 (NL) Haaksbergweg 75, 1101 BR, Amsterdam
 Corporate names, trademarks stated herein are the property of their respective companies. Copyright © 2023 ViewSonic Corporation. All rights reserved
www.viewsonic.com



www.viewsonic.com