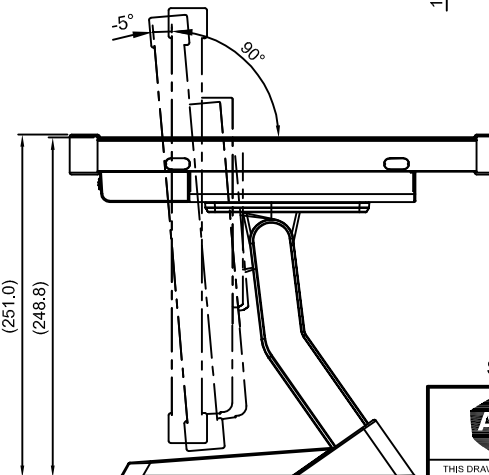
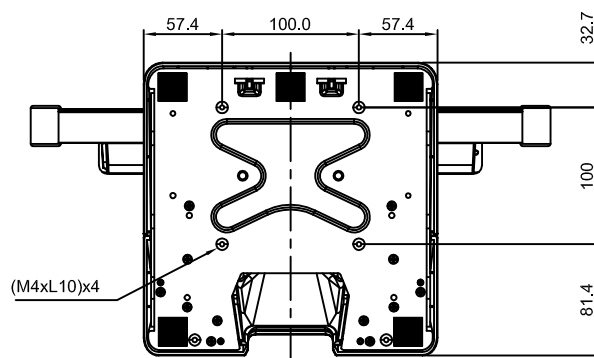
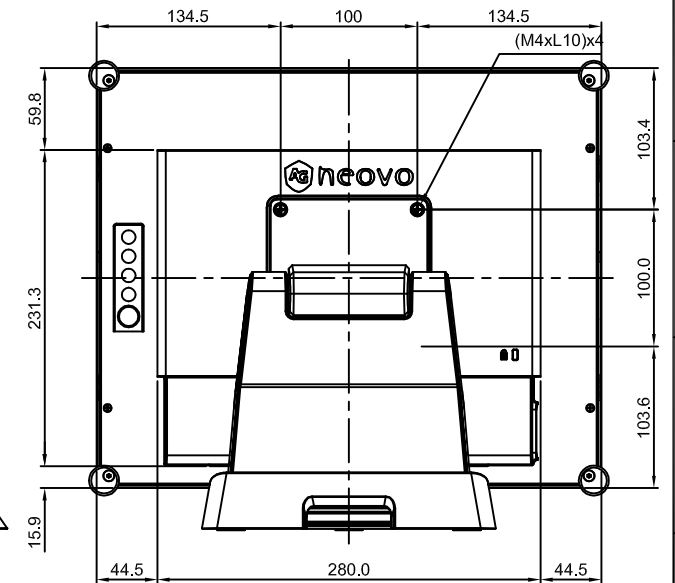
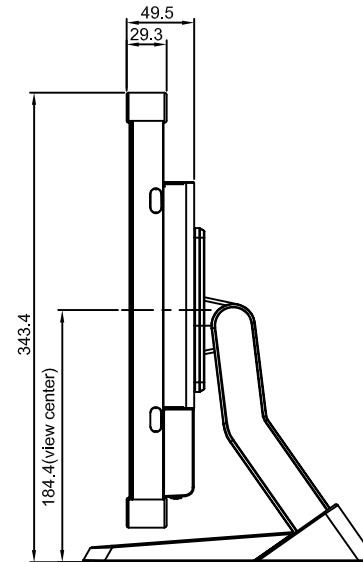
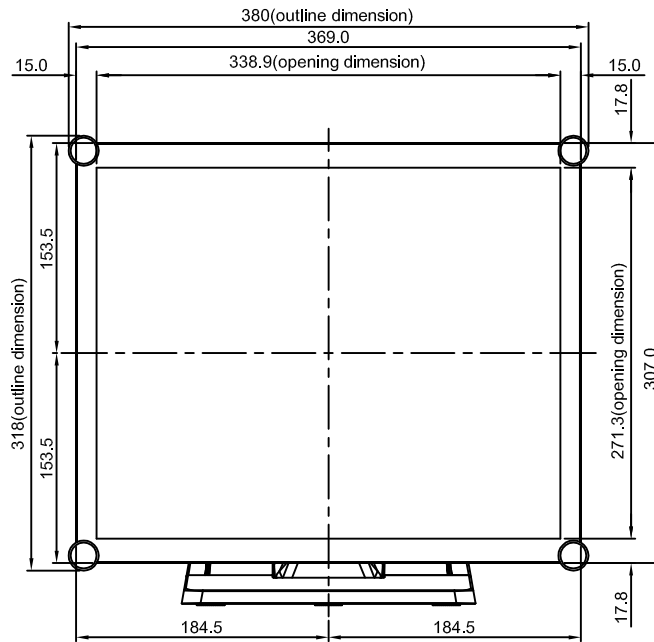
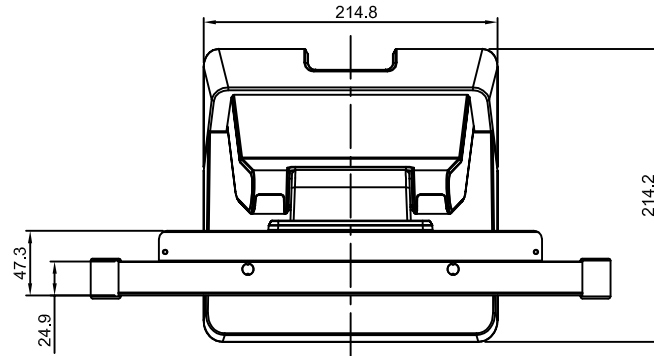


TX-1702

Net weight:
5.8kg(with stand)

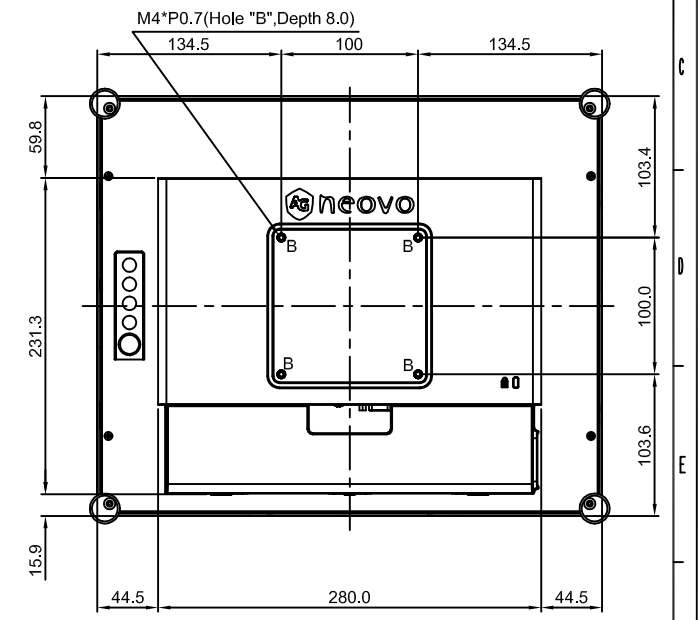
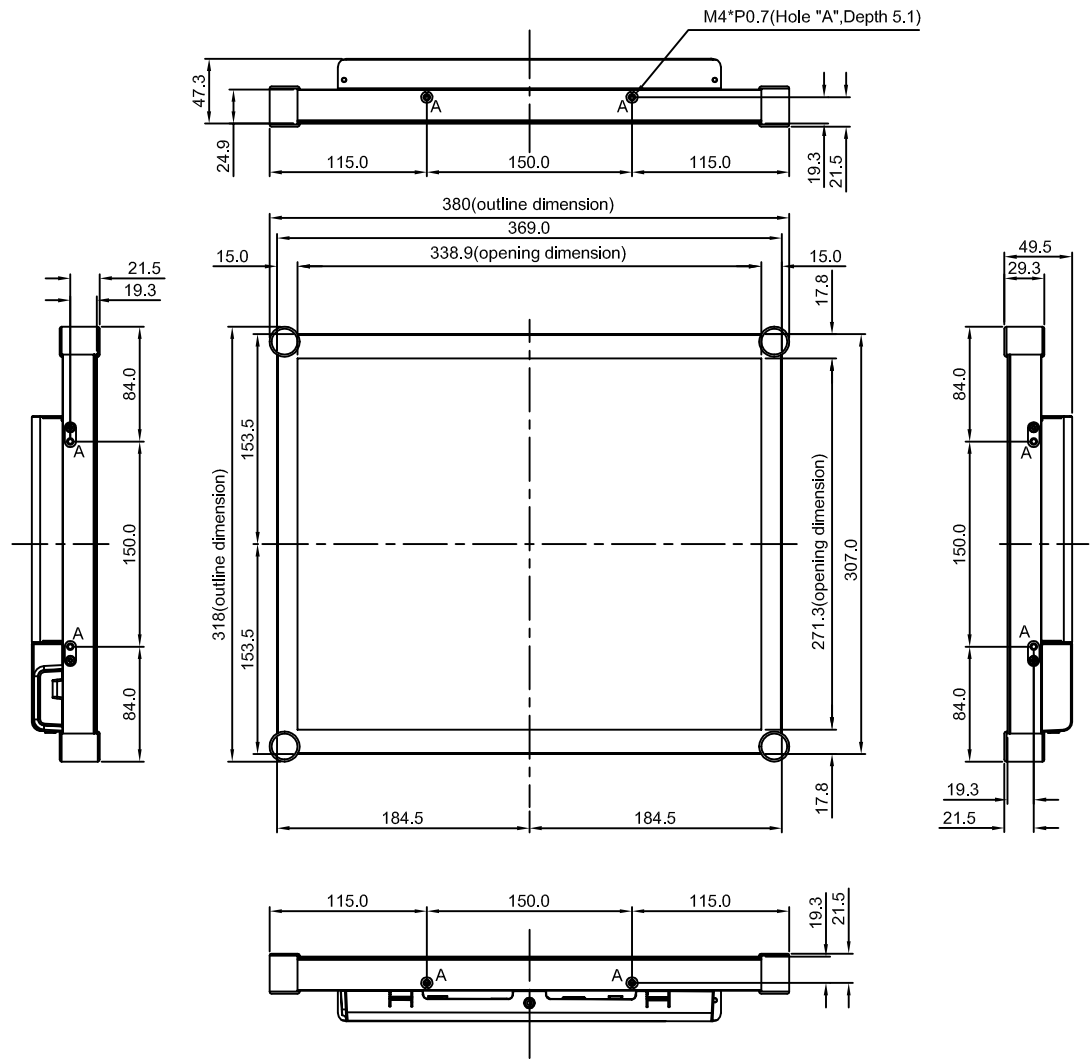


SPECIFICATIONS SUBJECT TO CHANGE WITHOUT NOTICE.

 www.agneovo.com	Model Name:	
	TX-1702	
<small>THIS DRAWING ON THIS PRINT AND INFORMATION BELONGS WITH AG Neovo. ANY REPRODUCTION IN PART OR WHOLE WITHOUT WRITTEN PERMISSION OF AG Neovo IS PROHIBITED.</small>		P/C:TX1720 SCALE 1:1 UNITS mm V.1.01

TX-1702

Net weight:
3.9kg(w/o stand)



SPECIFICATIONS SUBJECT TO CHANGE WITHOUT NOTICE.

 www.agneovo.com	Model Name:	
	TX-1702	
<small>THIS DRAWING ON THIS PRINT AND INFORMATION BELONG WITH AG Neovo. ANY REPRODUCTION IN PART OR WHOLE WITHOUT WRITTEN PERMISSION OF AG Neovo IS PROHIBITED.</small>		P/C:TX1720 SCALE 1:1 UNITS mm V.1.01