



**23.8" 10pt Optical Bonded PCAP Open Frame Touch monitor with IPS panel technology, edge-to-edge glass design, anti-fingerprint coating and metal housing**

The Full HD (1920x1080) Open Frame monitor ProLite TF2438MSC-B1 with IPS panel technology offers exceptional colors and wide viewing angles. The Optical Bonded Projective Capacitive (PCAP) 10-point touch technology ensures a seamless and accurate touch response and a lower light reflection, in addition, the display is protected against humidity and potential moisture development. A robust metal housing and a scratch-resistant 7H edge-to-edge glass with anti-fingerprint coating make the monitor particularly suitable for integration in demanding environments. The monitor meets also a IPX1 protection rating, making it waterproof for a period of time against dripping water. The ProLite TF2438MSC-B1 can be used in landscape, portrait and face-up orientation. A perfect solution for kiosk systems, retail and interactive digital signage installations.



Optical bonded PCAP

The optical bonded projective capacitive (PCAP) touch technology reduces the air gap between the touch layer and the display making the touch response more accurate. It improves also the visual quality by reducing reflections and glare. In addition the display is protected against dust and potential moisture development.



IPS Technology

IPS displays are best known for wide viewing angles and natural, highly accurate colours. They are especially suited for colour-critical applications.

## 01 DISPLAY CHARACTERISTICS

Design	Edge to edge glass, Open Frame
Diagonal	23.8", 60.5cm
Panel	IPS
Native resolution	1920 x 1080 (2.1 megapixel Full HD)
Aspect ratio	16:9
Panel brightness	600 cd/m <sup>2</sup>
Brightness	525 cd/m <sup>2</sup> with touch
Light transmittance	87%
Static contrast	1000:1
Response time (GTG)	5ms
Viewing zone	horizontal/vertical: 178°/178°, right/left: 89°/89°, up/down: 89°/89°
Colour support	16.7mln
Horizontal Sync	30 - 83kHz
Viewable area W x H	527 x 296.5mm, 20.7 x 11.7"
Bezel width (sides, top, bottom)	17.25mm, 20.3mm, 20.3mm
Pixel pitch	0.275mm
Bezel colour and finish	black, matte

## 02 TOUCH

Touch technology	bonded PCAP
Touch points	10 (HID, only with supported OS)
Touch method	stylus, finger, glove
Touch interface	USB
Supported operating systems	All iiyama monitors are Plug & Play and compatible with Windows and Linux. For details regarding the supported OS for the touch models, please refer to the driver instruction file available in the downloads section.

## 03 INTERFACES / CONNECTORS / CONTROLS

Digital signal input	HDMI x1 DisplayPort x1
Audio output	Speakers 2 x 2W
HDCP	yes
USB HUB	x2 (v.3.2 (Gen 1, 5Gbit))

## 04 FEATURES

Extra	Optical bonding PCAP, metal housing, anti fingerprint coating, waterproof touch function
Glass thickness	3.6mm
Glass hardness	7H
60950 Ball drop test	yes
Water and dust protection	IP1X (front)
Housing (bezel)	metal
OSD key lock	yes

## 05 GENERAL

OSD languages	EN, DE, FR, CN, RU, JP, NL, PL
Control buttons	Menu, Scroll up/ Eco, Scroll down/ Volume, Enter/ Input select, Power
User controls	picture adjust (brightness, contrast, i-Style color, adv. contrast, ECO mode, OD, X-Res), color settings (gamma, RGB range, color. temp.), image settings (video mode adjust, blue light reducer, sharp & soft), OSD (H. pos., V. pos., time, background, language. display information), extra (reset, DDC/CI, signal select, volume, mute, led, opening logo, touch switch)
Blue light reducer	yes
Plug&Play	DDC2B

## 06 MECHANICAL

Orientation	landscape, portrait, face-up
Fanless design	yes
VESA mounting	100 x 100mm

## 07 ACCESSORIES INCLUDED

Cables	power, USB, HDMI
Guides	quick start guide, safety guide
Cable cover	yes

## 08 POWER MANAGEMENT

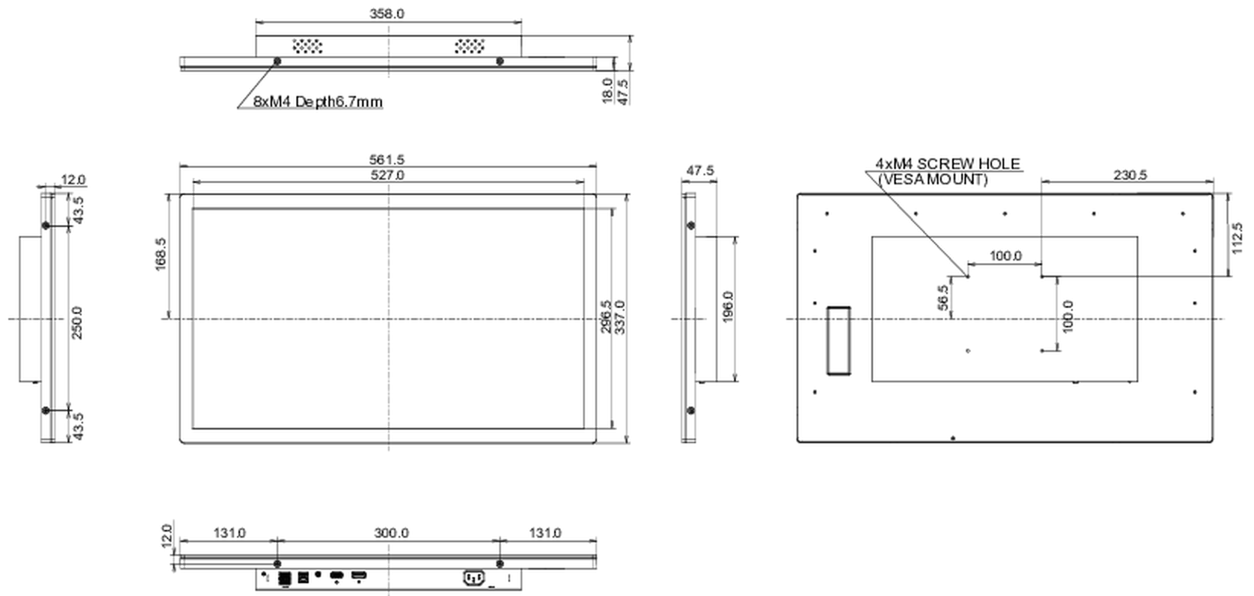
Power supply unit	internal
Power supply	AC 100 - 240V, 50/60Hz
Power usage	22W typical, 1.5W stand by, 0.3W off mode

## 09 SUSTAINABILITY

Regulations	CE, TÜV-Bauart, EAC, RoHS support, ErP, WEEE, REACH, UKCA
Energy efficiency class (Regulation (EU) 2017/1369)	E
REACH SVHC	above 0.1%: Lead

## 10 DIMENSIONS / WEIGHT

Product dimensions W x H x D	561.5 x 337 x 47.5mm
Box dimensions W x H x D	635 x 409 x 115mm
Weight (without box)	6.5kg
Weight (with box)	8.1kg
EAN code	4948570121113



All trademarks and registered trademarks acknowledged. E & O E. Specification subject to change without notice. All LCD's comply with ISO-9241-307:2008 in connection with pixel defects.

© IIYAMA CORPORATION. ALL RIGHTS RESERVED