



**21.5” PCAP 10pt Touchscreen monitor featuring IPS panel technology, Edge-to-Edge glass design and Anti Glare coating**

With its Full HD (1920x1080) resolution and accurate Projective Capacitive 10 point touch technology, the ProLite T2252MSC-B2AG delivers seamless and accurate touch response. Featuring IPS LCD screen technology, it offers exceptional colour performance and wide viewing angles, making it a perfect choice for a vast array of interactive applications. The flexible stand can be positioned at several angles creating a comfortable and ergonomic user experience and the integrated cable management system hides all the cables and electrical wires giving a neat and cable-free workspace. In addition, the edge-to-edge glass and ultra slim design creates an eye-catching finish. The Anti Glare coating helps to avoid issues with reflections and external light sources affecting colour reproduction, contrast and sharpness. The ProLite T2252MSC-B2AG is the ideal solution for interactive signage, instore retail, POS and interactive presentations.



**IPS Technology**

IPS displays are best known for wide viewing angles and natural, highly accurate colours. They are especially suited for colour-critical applications.



**Touch technology - Capacitive**

This technology uses a sensor-grid of micro-fine wires integrated into the glass that covers the screen. Touch is detected because electrical characteristics of the sensor grid change when human finger is placed on the glass. Thanks to the glass overlay this technology is highly durable, and the touch function remains unaffected even if the glass is scratched. It offers perfect picture performance and will work with human finger (also latex gloved) and stylus-pen.

## 01 DISPLAY CHARACTERISTICS

<b>Design</b>	Edge to edge glass
<b>Diagonal</b>	21.5", 54.5cm
<b>Panel</b>	IPS
<b>Native resolution</b>	1920 x 1080 (2.1 megapixel Full HD)
<b>Aspect ratio</b>	16:9
<b>Panel brightness</b>	250 cd/m <sup>2</sup>
<b>Brightness</b>	215 cd/m <sup>2</sup> with touch
<b>Light transmittance</b>	86%
<b>Static contrast</b>	1000:1
<b>Response time (GTG)</b>	5ms
<b>Viewing zone</b>	horizontal/vertical: 178°/178°, right/left: 89°/89°, up/down: 89°/89°
<b>Colour support</b>	16.7mln
<b>Horizontal Sync</b>	30 - 83kHz
<b>Viewable area W x H</b>	478.6 x 260mm, 18.8 x 10.2"
<b>Pixel pitch</b>	0.249mm
<b>Bezel colour and finish</b>	black, matte

## 02 TOUCH

<b>Touch technology</b>	projective capacitive
<b>Touch points</b>	10 (HID, only with supported OS)
<b>Touch method</b>	stylus, finger, glove
<b>Touch interface</b>	USB
<b>Supported operating systems</b>	All iiyama monitors are Plug & Play and compatible with Windows and Linux. For details regarding the supported OS for the touch models, please refer to the driver instruction file available in the downloads section.
<b>Palm rejection</b>	yes

## 03 INTERFACES / CONNECTORS / CONTROLS

<b>Digital signal input</b>	HDMI x1 DisplayPort x1
<b>Audio output</b>	Mini jack x1 Speakers 2 x 1W
<b>HDCP</b>	yes
<b>USB HUB</b>	x2 (USB 3.2 Gen 1 (5Gbps, 5V, 900mA))

## 04 FEATURES

<b>Extra</b>	Anti-fingerprint coating, Touch support with gloved hand (thickness +2mm)
<b>Glass hardness</b>	7H
<b>OSD key lock</b>	yes

## 05 GENERAL

<b>OSD languages</b>	EN, DE, FR, IT, CN, RU, JP, CZ, NL, PL
<b>Control buttons</b>	Joystick: right/ menu/ enter, left/ input/ exit, up/ eco, down, power

**User controls**

picture adjust (brightness, contrast, i-Style, adv. contrast, ECO, OD, X-Res), color settings (gamma, rgb range, color temp.), image settings (video mode adjust, blue light reducer, sharp & soft), OSD (horizontal position, vertical pos., time, background), extra (reset, dcc/ci, signal select, volume, mute, opening logo, led, touch switch)

**Convenience**

Kensington-lock™ prepared

**Blue light reducer**

yes

**Plug&Play**

DDC2B

**06 MECHANICAL****Tilt angle**

90° up; 5° down

**VESA mounting**

100 x 100mm

**MTBF**

50000 hours (excluding backlight)

**07 ACCESSORIES INCLUDED****Cables**

power, USB, HDMI

**Guides**

quick start guide, safety guide

**Cable cover**

yes

**08 POWER MANAGEMENT****Power supply unit**

internal

**Power supply**

AC 100 - 240V, 50/60Hz

**Power usage**

13W typical, 1.5W stand by, 0.3W off mode

**09 SUSTAINABILITY****Regulations**

CE, TÜV-Bauart, EAC, RoHS support, ErP, WEEE, REACH, UKCA, cTUVus

**Energy efficiency class (Regulation (EU) 2017/1369)**

D

**REACH SVHC**

above 0.1%: Lead

**10 DIMENSIONS / WEIGHT****Product dimensions W x H x D**

493.5 x 361.5 x 239.5mm

**Box dimensions W x H x D**

560 x 350 x 150mm

**Weight (without box)**

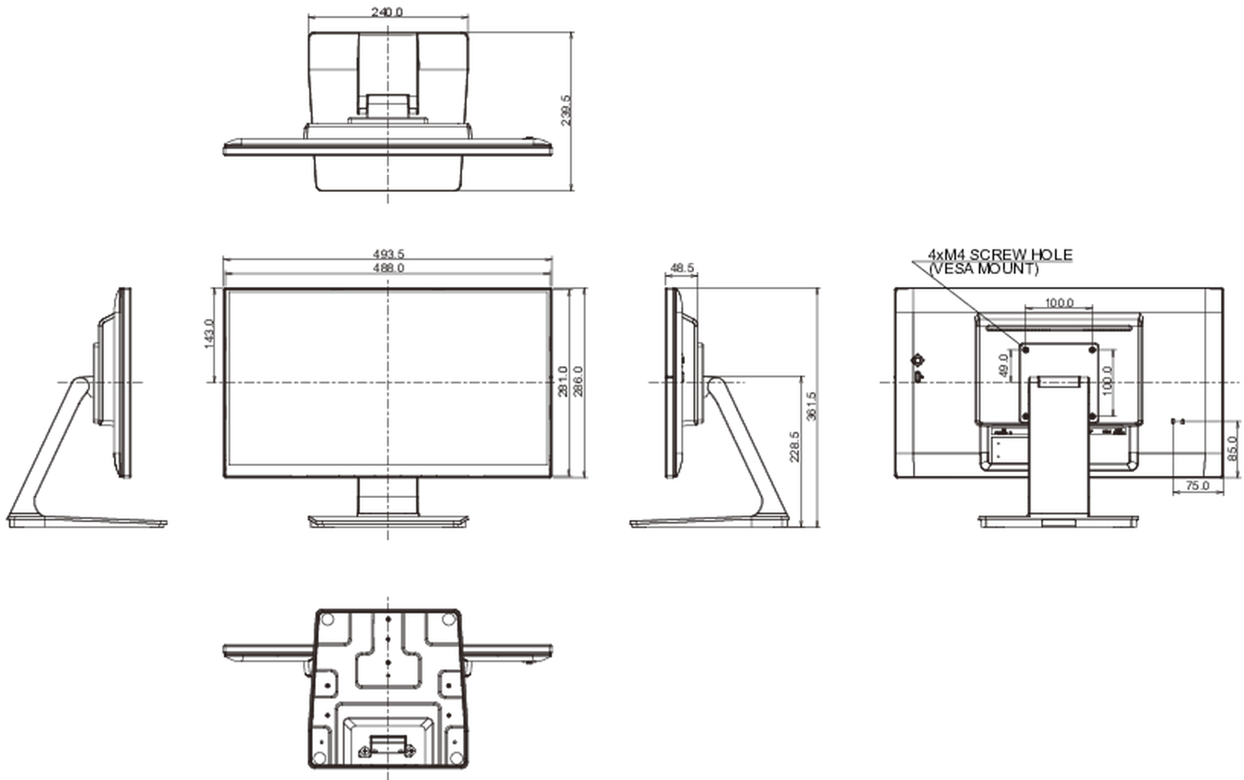
4.5kg

**Weight (with box)**

6kg

**EAN code**

4948570125180



All trademarks and registered trademarks acknowledged. E & O E. Specification subject to change without notice. All LCD's comply with ISO-9241-307:2008 in connection with pixel defects.

© IYAMA CORPORATION. ALL RIGHTS RESERVED