

SHARP

PN-LA862 PN-LA752 PN-LA652

INTERACTIVE DISPLAY
AFFICHAGE INTERACTIF
PANTALLA INTERACTIVA
INTERAKTIVES DISPLAY

SETUP MANUAL
MANUEL D'INSTALLATION
MANUAL DE INSTALACIÓN
INSTALLATIONSANLEITUNG

ENGLISH

FRANÇAIS

ESPAÑOL

DEUTSCH

HDMITM

ENGLISH E1
FRANÇAIS..... F1
ESPAÑOL S1
DEUTSCH D1

IMPORTANT:

To aid reporting in case of loss or theft, please record the product's model and serial numbers in the space provided. The numbers are located in the rear of the product.

Model No.:

Serial No.:

U.S.A. ONLY

FOR CUSTOMERS IN U.K.

IMPORTANT

The wires in this mains lead are coloured in accordance with the following code:

GREEN-AND-YELLOW:	Earth
BLUE:	Neutral
BROWN:	Live

As the colours of the wires in the mains lead of this apparatus may not correspond with the coloured markings identifying the terminals in your plug proceed as follows:

- The wire which is coloured GREEN-AND-YELLOW must be connected to the terminal in the plug which is marked by the letter **E** or by the safety earth \perp or coloured green or green-and-yellow.
- The wire which is coloured BLUE must be connected to the terminal which is marked with the letter **N** or coloured black.
- The wire which is coloured BROWN must be connected to the terminal which is marked with the letter **L** or coloured red.

Ensure that your equipment is connected correctly. If you are in any doubt consult a qualified electrician.

“WARNING: THIS APPARATUS MUST BE EARTHED.”

WARNING:

This Monitor is for use only with the cart, stand and/or carrier whose model name is shown below.

Use with other the cart, stand and/or carrier may result in instability causing injury.:

PN-ZS703B

Australia and New Zealand Only

Supplier's Declaration of Conformity

SHARP INTERACTIVE DISPLAY, PN-LA862, PN-LA752, PN-LA652

This device complies with Part 15 of the FCC Rules. Operation is subject to the following two conditions: (1) This device may not cause harmful interference, and (2) this device must accept any interference received, including interference that may cause undesired operation.

Responsible Party:

SHARP ELECTRONICS CORPORATION
100 Paragon Drive, Montvale, NJ 07645
TEL: 1-800-BE-SHARP www.sharppusa.com

U.S.A. ONLY

Contents

[ENGLISH]



IMPORTANT INFORMATION	1	Connections	7
DEAR SHARP CUSTOMER	2	Turning Power On/Off	8
SAFETY PRECAUTIONS	2	Specifications	9
SAFETY INSTRUCTION	3	Mounting a web camera	9
MOUNTING PRECAUTIONS	4	Mounting Precautions	
Supplied Components	6	(For SHARP dealers and service engineers)	10
Preparing the Remote Control Unit	6	Trademarks & software licenses	12

ENGLISH

Operation manuals may be downloaded from the following website:
<https://business.sharppusa.com/product-downloads> (US)
<https://www.sharp.eu/download-centre> (Europe/Asia/Pacific)
(Adobe Acrobat Reader is required to view the manuals.)

IMPORTANT INFORMATION

WARNING: TO REDUCE THE RISK OF FIRE OR ELECTRIC SHOCK, DO NOT EXPOSE THIS PRODUCT TO RAIN OR MOISTURE.

	CAUTION RISK OF ELECTRIC SHOCK DO NOT OPEN	
CAUTION: TO REDUCE THE RISK OF ELECTRIC SHOCK, DO NOT REMOVE COVER. NO USER-SERVICEABLE PARTS INSIDE. REFER SERVICING TO QUALIFIED SERVICE PERSONNEL.		



The lightning flash with arrowhead symbol, within a triangle, is intended to alert the user to the presence of uninsulated "dangerous voltage" within the product's enclosure that may be of sufficient magnitude to constitute a risk of electric shock to persons.



The exclamation point within a triangle is intended to alert the user to the presence of important operating and maintenance (servicing) instructions in the literature accompanying the product.

WARNING:

FCC Regulations state that any unauthorized changes or modifications to this equipment not expressly approved by the manufacturer could void the user's authority to operate this equipment.

NOTE:

This equipment has been tested and found to comply with the limits for a Class B digital device, pursuant to Part 15 of the FCC Rules. These limits are designed to provide reasonable protection against harmful interference in a residential installation.

This equipment generates, uses and can radiate radio frequency energy and, if not installed and used in accordance with the instructions, may cause harmful interference to radio communications. However, there is no guarantee that interference will not occur in a particular installation.

If this equipment does cause harmful interference to radio or television reception, which can be determined by turning the equipment off and on, the user is encouraged to try to correct the interference by one or more of the following measures:

- Reorient or relocate the receiving antenna.
- Increase the separation between the equipment and receiver.
- Connect the equipment into an outlet on a circuit different from that to which the receiver is connected.
- Consult the dealer or an experienced radio/TV technician for help.

U.S.A. ONLY

To maintain compliance with EMC regulations, use shielded cables to connect to the following terminals: HDMI input terminal, DisplayPort input/output terminal, RS-232C input terminal, USB Type C port, TOUCH PANEL terminal, and USB port.

DEAR SHARP CUSTOMER

Thank you for your purchase of a SHARP LCD product. To ensure safety and many years of trouble-free operation of your product, please read the Safety Precautions carefully before using this product.

SAFETY PRECAUTIONS

Electricity is used to perform many useful functions, but it can also cause personal injuries and property damage if improperly handled. This product has been engineered and manufactured with the highest priority on safety. However, improper use can result in electric shock and/or fire. In order to prevent potential danger, please observe the following instructions when installing, operating and cleaning the product. To ensure your safety and prolong the service life of your LCD product, please read the following precautions carefully before using the product.

1. Read instructions — All operating instructions must be read and understood before the product is operated.
2. Keep this manual in a safe place — These safety and operating instructions must be kept in a safe place for future reference.
3. Observe warnings — All warnings on the product and in the instructions must be observed closely.
4. Follow instructions — All operating instructions must be followed.
5. Cleaning — Unplug the power cord from the power outlet before cleaning the product. Use a dry cloth to clean the product. Do not use liquid cleaners or aerosol cleaners. Do not use dirty cloths. Doing so may damage the product.
6. Attachments — Do not use attachments not recommended by the manufacturer. Use of inadequate attachments can result in accidents.
7. Water and moisture — Do not use the product near water. Do not install the product in a place where water may splash onto it. Be careful of equipment which drains water such as an air-conditioner.
8. Ventilation — The vents and other openings in the cabinet are designed for ventilation. Do not cover or block these vents and openings since insufficient ventilation can cause overheating and/or shorten the life of the product. Do not place the product on a sofa, rug or other similar surface, since they can block ventilation openings. Do not place the product in an enclosed place such as a bookcase or rack, unless proper ventilation is provided or the manufacturer's instructions are followed.
9. Power cord protection — The power cords must be routed properly to prevent people from stepping on them or objects from resting on them.
10. The screen used in this product is made of glass. Therefore, it can break when the product is dropped or applied with impact. Be careful not to be injured by broken glass pieces in case the screen breaks.
11. Overloading — Do not overload power outlets or extension cords. Overloading can cause fire or electric shock.
12. Entering of objects and liquids — Never insert an object into the product through vents or openings. High voltage flows in the product, and inserting an object can cause electric shock and/or short internal parts. For the same reason, do not spill water or liquid on the product.
13. Servicing — Do not attempt to service the product yourself. Removing covers can expose you to high voltage and other dangerous conditions. Request a qualified service person to perform servicing.
14. Repair — If any of the following conditions occurs, unplug the power cord from the power outlet, and request a qualified service person to perform repairs.
 - a. When the power cord or plug is damaged.
 - b. When a liquid was spilled on the product or when objects have fallen into the product.
 - c. When the product has been exposed to rain or water.
 - d. When the product does not operate properly as described in the operating instructions. Do not touch the controls other than those described in the operating instructions. Improper adjustment of controls not described in the instructions can cause damage, which often requires extensive adjustment work by a qualified technician.
 - e. When the product has been dropped or damaged.
 - f. When the product displays an abnormal condition. Any noticeable abnormality in the product indicates that the product needs servicing.
15. Replacement parts — In case the product needs replacement parts, make sure that the service person uses replacement parts specified by the manufacturer, or those with the same characteristics and performance as the original parts. Use of unauthorized parts can result in fire, electric shock and/or other danger.
16. Safety checks — Upon completion of service or repair work, request the service technician to perform safety checks to ensure that the product is in proper operating condition.
17. Wall mounting — When mounting the product on a wall, be sure to install the product according to the method recommended by the manufacturer.
18. Heat sources — Keep the product away from heat sources such as radiators, heaters, stoves and other heat-generating products (including amplifiers).
19. Batteries — Incorrect use of batteries may cause the batteries to burst or ignite. A leaky battery may corrode the equipment, dirty your hands or spoil your clothing. In order to avoid these problems, make sure to observe the precautions below:
 - Use the specified batteries only.
 - Install the batteries with due attention to the plus (+) and minus (-) sides of the batteries according to the instructions in the compartment.
 - Do not mix old and new batteries.
 - Do not mix batteries of different types. Voltage specifications of batteries of the same shape may vary.

- Replace an exhausted battery with a new one promptly.
 - If you will not use the remote control for a long time, remove the batteries.
 - If leaked battery fluid gets on your skin or clothing, rinse immediately and thoroughly. If it gets into your eye, bathe your eye well rather than rubbing and seek medical treatment immediately. Leaked battery fluid that gets into your eye or your clothing may cause a skin irritation or damage your eye.
 - Properly dispose of depleted batteries. Disposal of a battery into water, fire, or a hot oven, or mechanically crushing, cutting, or modifying a battery can result in an explosion.
 - Do not short-circuit the batteries.
20. Usage of the monitor must not be accompanied by fatal risks or dangers that, could lead directly to death, personal injury, severe physical damage or other loss, including nuclear reaction control in nuclear facility, medical life support system, and missile launch control in a weapon system.
 21. Do not stay in contact with the parts of the product that become hot for long periods of time. Doing so may result in low-temperature burns.
 22. Do not modify this product.

WARNING:

An apparatus with CLASS I construction shall be connected to a MAIN socket outlet with a protective earthing connection.

STABILITY HAZARD

If a monitor is not positioned in a sufficiently stable location, it can be potentially hazardous due to falling. Many injuries, particularly to children, can be avoided by taking simple precautions such as:

- Using fixing devices like wall mount brackets recommended by the manufacturer.
- Only using furniture that can safely support the monitor.
- Ensuring the monitor is not overhanging the edge of the supporting furniture.
- Not placing the monitor on tall furniture (for example, cupboards or bookcases) without anchoring both the furniture and the monitor to a suitable support.
- Not standing the monitors on cloth or other materials placed between the monitor and supporting furniture.
- Educating children about the dangers of climbing on furniture to reach the monitor or its controls.
- This equipment is not suitable for use in locations where children are likely to be present unsupervised.

Especially for child safety

- Don't allow children to climb on or play with the monitor.
- Don't place the monitor on furniture that can easily be used as steps, such as a chest of drawers.
- Remember that children can become excited while watching a program, especially on a "larger than life" monitor. Care should be taken to place or install the monitor where it cannot be pushed, pulled over, or knocked down.
- Care should be taken to route all cords and cables connected to the monitor so that they cannot be pulled or grabbed by curious children.


SAFETY INSTRUCTION

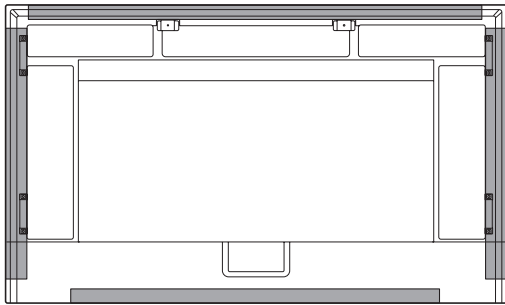
- Do not use the monitor where there is a lot of dust, where humidity is high, or where the monitor may come into contact with oil or steam. Do not use in an environment where there are corrosive gases (sulfur dioxide, hydrogen sulfide, nitrogen dioxide, chlorine, ammonia, ozone, etc.). As this could lead to fire.
- Ensure that the monitor does not come into contact with water or other fluids. Ensure that no objects such as paper clips or pins enter the monitor as this could lead to fire or electric shock.
- Do not place the monitor on top of unstable objects or in unsafe places. Do not allow the monitor to receive strong shocks or to strongly vibrate. Causing the monitor to fall or topple over may damage it.
- Do not use the monitor near heating equipment or in places where there is likelihood of high temperature, as this may lead to generation of excessive heat and outbreak of fire.
- Do not use the monitor in places where it may be exposed to direct sunlight. Risk of cabinet deformation and failure if the monitor is used in direct sunlight.
- Please be sure to constantly remove dust and garbage that has attached to the ventilation opening. If dust collects in the ventilation opening or the inside of the monitor, it may lead to excessive heat, outbreak of fire, or malfunction. Please request a cleaning of the inside of the monitor from an authorized servicing dealer or service center.
- The power outlet shall be installed near the equipment and shall be easily accessible.
- Do not operate the screen with a hard or pointed object such as a fingernail or pencil.
- Suitable for entertainment purposes at controlled luminous environments, to avoid disturbing reflections from the screen.

The Power Cord

- Use only the power cord supplied with the monitor.
- Do not damage the power cord nor place heavy objects on it, stretch it or over bend it. Also, do not add extension cords. Damage to the cord may result in fire or electric shock.
- Do not use the power cord with a power tap. Adding an extension cord may lead to fire as a result of overheating.
- Do not remove or insert the power plug with wet hands. Doing so could result in electric shock.
- Unplug the power cord if it is not used for a long time.
- Do not attempt to repair the power cord if it is broken or malfunctioning. Refer the servicing to the service representative.
- This monitor is designed to be used in the condition of the power cord connected to the earth. If the power cord is not connected to the earth, it may cause electric shock. Please make sure the power cord is connected to the wall outlet directly and earthed properly. Do not use a 2-pin plug converter adapter.
- Do not touch the power plug if you hear thunder. Doing so could result in electric shock.
- Do not exceed the product's specified power supply voltage where it is installed. Doing so could result in a fire or electric shock. Please refer to the power supply voltage information in the specification.

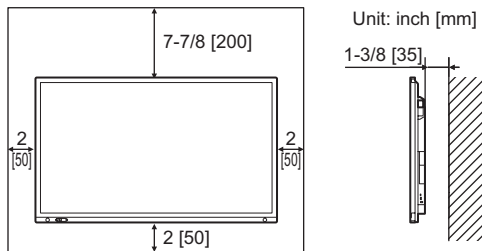
MOUNTING PRECAUTIONS

- For SHARP dealers or service engineers, please confirm "Mounting Precautions (For SHARP dealers and service engineers)". (See page 10.)
- This product is for use indoors.
- A mounting bracket compliant with VESA specifications is required.
- Since the monitor is heavy, consult your dealer before installing, removing or moving the monitor.
- Mounting the monitor on the wall requires special expertise and the work must be performed by an authorized dealer. You should never attempt to perform any of this work yourself. Our company will bear no responsibility for accidents or injuries caused by improper mounting or mishandling.
- Use the monitor with the surface perpendicular to a level surface. If necessary, the monitor may be tilted up to 20 degrees upward.
- When moving the monitor, be sure to hold the handles or the parts marked by  below. Do not grasp the screen. This may cause product damage, failure, or injury.

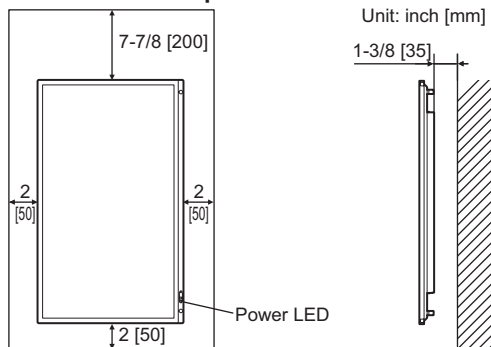


- This monitor should be used at an ambient temperature between 41°F (5°C) and 95°F (35°C). Provide enough space around the monitor to prevent heat from accumulating inside.

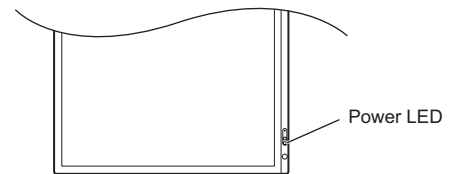
For the monitor in landscape orientation



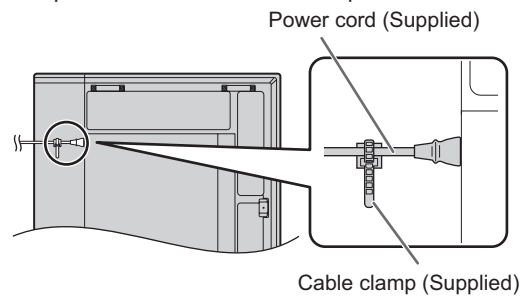
For the monitor in portrait orientation



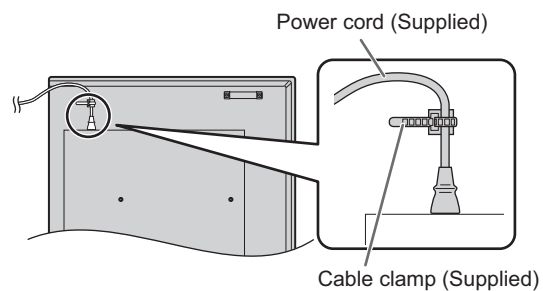
- Be careful of high temperatures in the surrounding area. If it is difficult to provide sufficient space for any reason such as the installation of the monitor inside a housing or of several units side-by-side, or if the ambient temperature may be outside of the range of 41°F (5°C) to 95°F (35°C), install a fan or take other measures to keep the ambient temperature within the required range.
- Temperature condition may change when using the monitor together with the optional equipments recommended by SHARP. In such cases, please check the temperature condition specified by the optional equipments.
- Do not block any ventilation openings. If the temperature inside the monitor rises, this could lead to a malfunction.
- Do not place the monitor on a device which generates heat.
- Do not use the product in locations where the unit is exposed to direct sunlight or other strong light. Since this product operates with infrared rays, such light may cause a malfunction.
- When using multiple monitors closely, be sure the infrared transmitter/receiver does not affect the other ones.
- Adhere to the following when installing the monitor in its portrait orientation. Failing to adhere to the following may cause malfunctions.
 - Install the monitor such that the power LED is located on the bottom side.



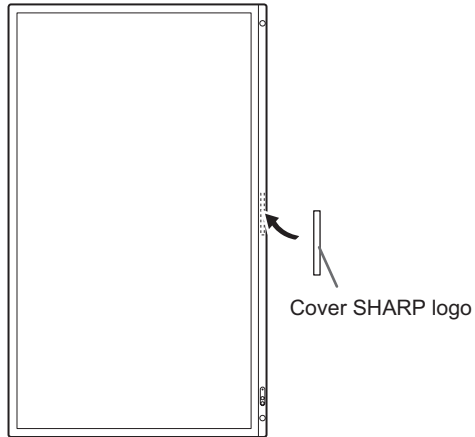
- Set the "PORTRAIT/LANDSCAPE INSTALL" on the ADMIN menu to "PORTRAIT". (See OPERATION MANUAL.)
- Be sure to clamp the power cord (supplied) onto the cable clamp attachment using the supplied cable clamp. When clamping the power cord, take care not to stress the terminal of the power cord. Do not bend the power cord excessively.



PN-LA652

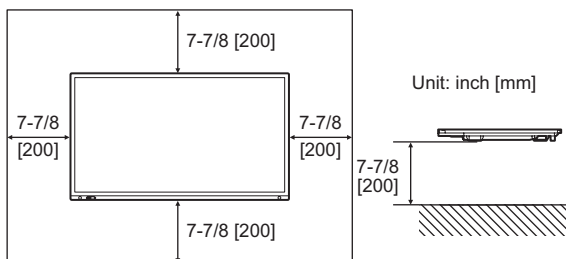


- Use the cover SHARP logo when you install the monitor in portrait orientation.



Flat installation

- When using the monitor laying flat on a surface (when the monitor is tilted more than 20 degrees upward from the perpendicular in relation to a level surface), consult an authorized dealer because there are some specific mounting conditions. Adhere to the following. Failing to adhere to the following may cause malfunctions.
 - Set "HORIZONTAL INSTALLATION" in the ADMIN menu to "FACE UP". (See OPERATION MANUAL.)
 - Use this monitor at the ambient temperature between 41°F (5°C) and 86°F (30°C). Provide 7-7/8 inch (200 mm) or more space between the monitor and the floor or other mounting surfaces and surrounding objects to prevent heat from accumulating inside. If it is difficult to provide sufficient space or if the ambient temperature may be outside of the range of 41°F (5°C) to 86°F (30°C), install a fan or take other measures to keep the ambient temperature within the required range.

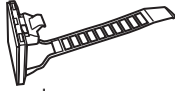


- Do not press hard on the LCD panel or otherwise subject it to impacts.

Supplied Components

If any components are missing, please contact your dealer.

- Interactive Display: 1
- Remote control unit: 1
- Cable clamp: 3



- Power cord
- Remote control unit battery: 2

- Setup Manual (this manual): 1
- Touch pen: 2
- Camera mount (small): 1
- Camera screw (inch thread): 1
- Camera mount (large): 1
- USB cable: 1

- Cover SHARP logo: 1
Place this sticker onto the SHARP logo to cover the logo.
- Camera mount screw (M3x8): 2
- Camera mount screw (M3x12): 2

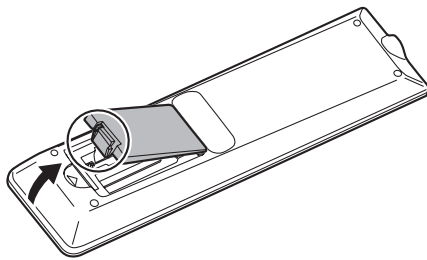
PN-LA862/PN-LA752 only

- Player mount: 1
- Player mount screw (M4x6): 2

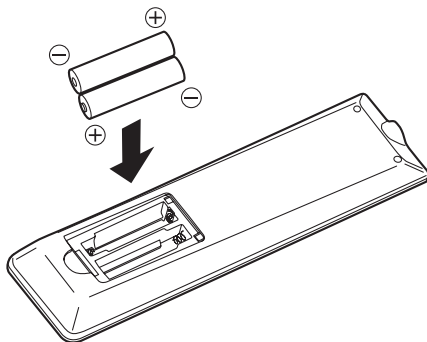
* **Please note:** do not dispose of batteries in household waste for environmental protection. Follow the disposal instructions for your area.

Preparing the Remote Control Unit

1. Place your finger on the part marked with the ▲, and then pull the cover off.



2. See the instructions in the compartment and put in the supplied batteries (R03 or LR03 ("AAA" size) x 2) with their plus (+) and minus (-) sides oriented correctly.



3. Close the cover.



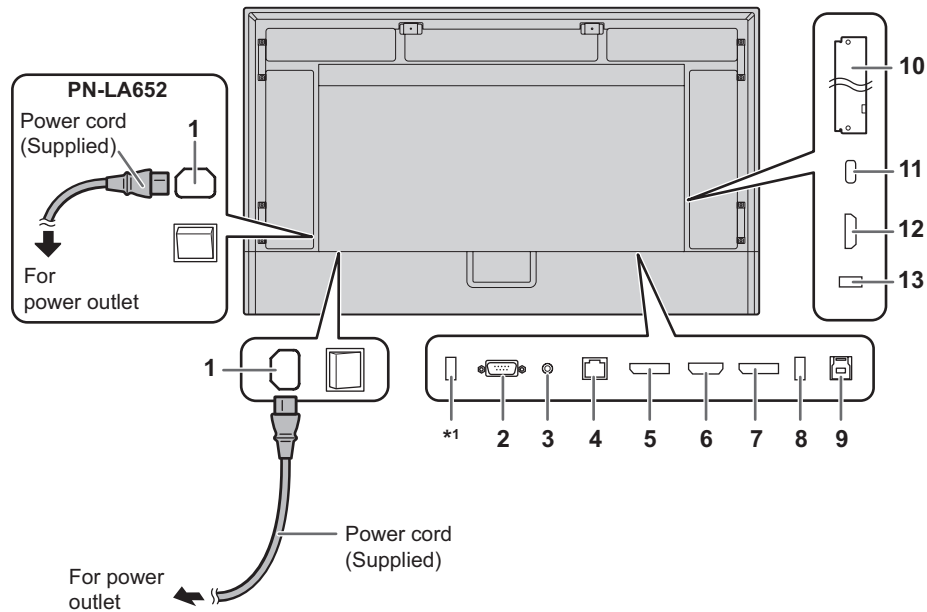
Connections

! Caution

- Be sure to turn off the main power switch and disconnect the plug from the power outlet before connecting/disconnecting cables. Also, read the manual of the equipment to be connected.
- Be careful not to confuse the input terminal with the output terminal when connecting cables. Accidentally reversing cables connected to the input and output terminals may cause malfunctions and the other problems.
- When connecting the power cord to the product's AC input terminal, make sure the connector is fully and firmly inserted.

ENGLISH

■ Rear view



- | | |
|--|--|
| <ol style="list-style-type: none"> 1. AC input terminal 2. RS-232C input terminal 3. Audio output terminal 4. LAN terminal 5. DisplayPort output terminal 6. HDMI2 input terminal (support ARC) 7. DisplayPort input terminal | <ol style="list-style-type: none"> 8. USB2 port (USB3.0 compliant, Type-A) 9. TOUCH PANEL terminal*²
(for HDMI1/HDMI2/DisplayPort) 10. Option board slot 11. USB Type C port*² 12. HDMI1 input terminal 13. USB1 port (USB3.0 compliant, Type-A) |
|--|--|

*1 This port is for "CLONE SETING" and future software upgrades.

Imports or exports the monitor settings via the USB flash device when selecting "CLONE SETTING". (See OPERATION MANUAL.)

*2 Factory setting. You can set the terminal that connects the computer and touch panel in each input mode with "TOUCH INPUT SELECT".

TIPS

- The Information Display Downloader can also be downloaded from the following website.
<https://business.sharpusa.com/product-downloads> (US)
<https://www.sharp.eu/download-centre> (Europe/Asia/Pacific)
 When the Information Display Downloader is installed, you can check and download the most recent versions of the software programs and latest firmware.
 To install the software, see the manual for each.
 Pen Software setup program and Touch Viewing Software/Touch Viewer setup program, latest firmware can be downloaded using Information Display Downloader.

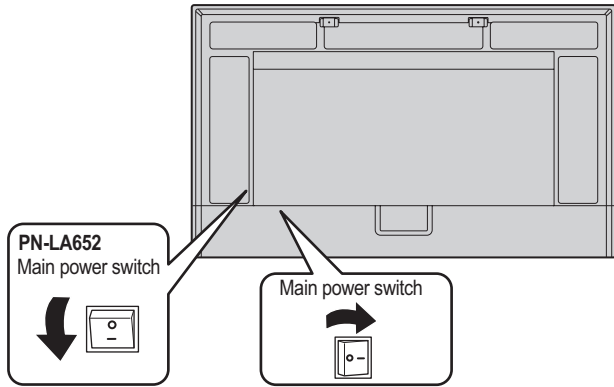


Turning Power On/Off

! Caution

- Turn on the monitor first before turning on the computer or playback device.
- When switching the main power switch or the POWER button off and back on, always wait for at least 5 seconds. A short interval may result in a malfunction.

Turning on the main power



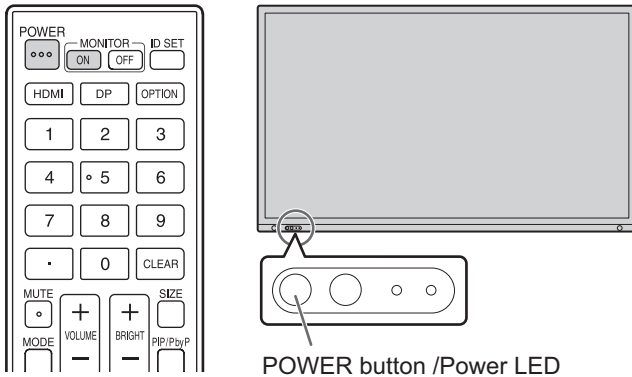
Off mode, when main power is off.

! Caution

- The main power must be turned on/off with the main power switch. Do not connect/disconnect the power cord or turn the breaker on/off while the main power switch is on.
- For a complete electrical disconnection, pull out the main plug.

Turning power on

1. Press the **POWER** button or **MONITOR ON** button to turn the power ON.



Status	Status of the monitor
Orange/Blue flashing	During power up
Blue lit	Power on
Orange lit	Power off (Standby state)*1
Blue flashing	Input signal waiting state*2

*1 Standby mode when "POWER SAVE MODE" is set to "ON" and "LAN PORT" and "MOTION SENSOR" is set to "OFF".
Networked standby mode when "POWER SAVE MODE" and "LAN PORT" is set to "ON" and "MOTION SENSOR" is set to "OFF".
Networked standby mode allows the monitor to be turned on via network (LAN, RS-232C, and HDMI CEC).

*2 When "POWER SAVE MODE" is set to "OFF" and "POWER MANAGEMENT" is set to "ON", switching to input signal waiting state when no signal is detected.

TIPS

- When the main power switch is off, the monitor cannot be turned on.
- When the monitor is in the input signal waiting state and press the **POWER** button or **MONITOR ON** button, the monitor is turned on.
- When the monitor is in the input signal waiting state and press the **MONITOR OFF** button, the monitor is turned off.
- To disable the logo screen from displaying when turning the power ON, set "LOGO SCREEN" in "SYSTEM" to "OFF" on the ADMIN menu. (See OPERATION MANUAL.)
- You can fix the input mode that appears after startup. Set "START INPUT MODE" in "INPUT" on the ADMIN menu.
- When starting the option board, change "INPUT MODE" to "OPTION."
- When you use the option board for the first time, the the option board setup is executed. Do not turn off the main power switch while the setup is running.

■ Operations after first power-on

When you turn on the power for the first time, a setting screen for language, communication, date and time, etc. appears. Use the **▲**, **▼**, **◀**, **▶** buttons on the remote control to set. The "LANGUAGE" screen appears.

1. After setting "LANGUAGE", select "NEXT" and press the **ENTER** button on the remote control. The "COMMUNICATION SETTING" screen appears.
2. After setting "COMMUNICATION SETTING", select "NEXT" and press the **ENTER** button on the remote control. The "DATE/TIME SETTING" screen appears.
3. After setting "DATE/TIME SETTING", select "NEXT" and press the **ENTER** button on the remote control. The "CONTROL FUNCTION" screen appears.
4. After setting "CONTROL FUNCTION", select "NEXT" and press the **ENTER** button on the remote control. The "VC ROOM SETTING" screen appears.
5. After setting "VC ROOM SETTING", select "FINISH" and press the **ENTER** button on the remote control.

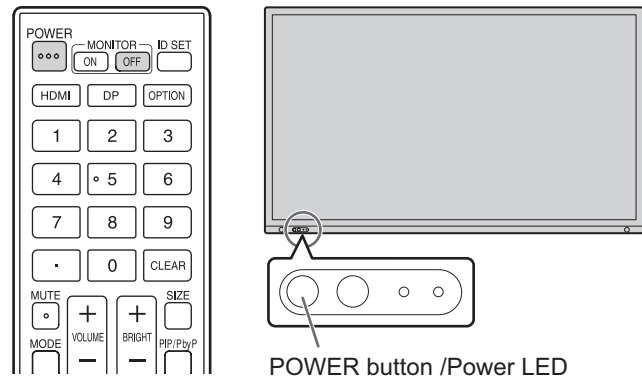
The settings below are recommended setting and conforms to the "Normal Configuration" as defined in the EcoDesign Regulation (2019/2021).

- POWER SAVE MODE: ON
- LAN PORT: OFF
- MOTION SENSOR: OFF

Turning power off

When you use the option board, look at the Operation Manual.

1. Press the **POWER** button or **MONITOR OFF** button. The power is turned off. (Standby state)



Specifications

Model	PN-LA862	PN-LA752	PN-LA652
Power requirement	AC 100 V - 240 V, 4.9 A-1.9 A, 50/60 Hz	AC 100 V - 240 V, 4.1 A-1.6 A, 50/60 Hz	AC 100 V - 240 V, 3.9 A-1.5 A, 50/60 Hz
Operating temperature *1	41°F to 95°F (5°C to 35°C)		
Operating humidity	20% to 80% (no condensation)		
Storage temperature	-4°F to 140°F (-20°C to 60°C)		
Storage humidity	10% to 80% (no condensation)		
Power consumption*2 (Max)	275 W (440 W)	205 W (360 W)	190 W (350 W)
Dimensions inch (mm) (excluding protrusions)	Approx. 77-3/8 (W) x 3-3/8 (D) x 45-13/16 (H) (1965.4 x 86.5 x 1163.9)	Approx. 67-3/4 (W) x 3-3/8 (D) x 40-3/8 (H) (1720.1 x 86.5 x 1025.9)	Approx. 58-13/16 (W) x 3-9/16 (D) x 35-1/4 (H) (1493.5 x 90.7 x 896.1)
Weight lbs. (kg)	Approx. 157.7 (71.5)	Approx. 124.6 (56.5)	Approx. 108.1 (49)

*1 When using the monitor laying flat on a surface (when the monitor is tilted more than 20 degrees upward from the perpendicular in relation to a level surface), use the monitor at the ambient temperature between 41°F (5°C) and 86°F (30°C).

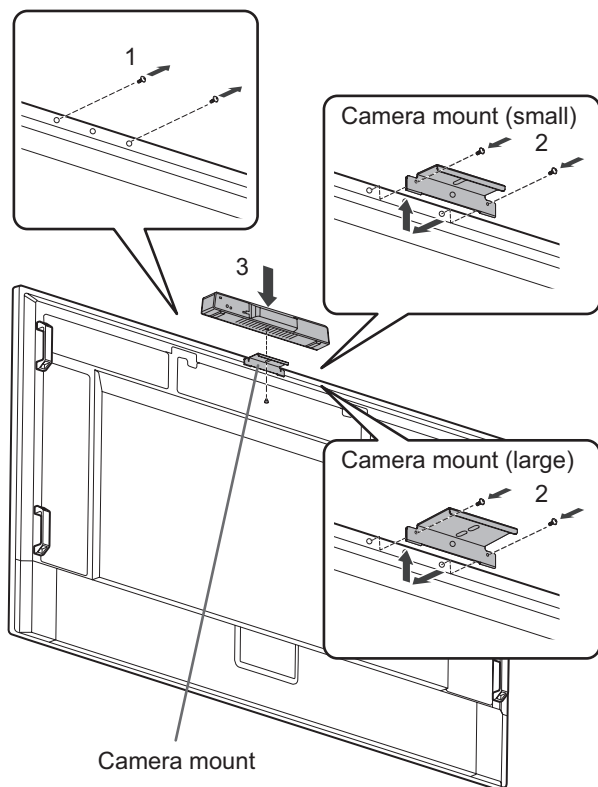
Temperature condition may change when using the monitor together with the optional equipments recommended by SHARP.

In such cases, please check the temperature condition specified by the optional equipments.

*2 Factory setting. (When no optional part is attached.)

As a part of our policy of continuous improvement, SHARP reserves the right to make design and specification changes for product improvement without prior notice. The performance specification figures indicated are nominal values of production units. There may be some deviations from these values in individual units.

Mounting a web camera



It is possible to mount the PN-ZCMS1 Video-Conferencing Soundbar (optional) or a commercially available web camera (1.1 kg (2.4 lbs.) or less) with the camera mount (small) (supplied).

1. Remove the screws from this monitor.

2. PN-LA862/PN-LA752 :

Attach the camera mount (small) (supplied) with the camera mount screws (M3x12) (x2) (supplied).

PN-LA652 :

Attach the camera mount (small) (supplied) with the camera mount screws (M3x8) (x2) (supplied).

The camera mount screws are different depending on the monitor.

3. Attach the PN-ZCMS1 (optional) on the camera mount with the camera screw (inch thread) (x1) (supplied).

It is possible to mount the our recommended web camera with the camera mount (large) (supplied). Contact your dealer for our recommended web camera.

1. Remove the screws from this monitor.

2. PN-LA862/PN-LA752 :

Attach the camera mount (large) (supplied) with the camera mount screws (M3x12) (x2) (supplied).

PN-LA652 :

Attach the camera mount (large) (supplied) with the camera mount screws (M3x8) (x2) (supplied).

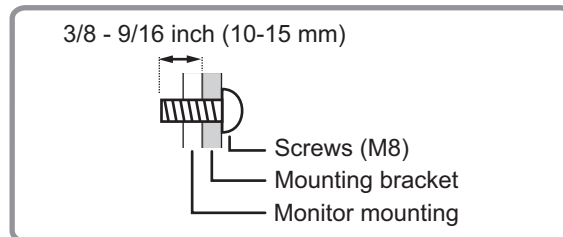
The camera mount screws are different depending on the monitor.


TIPS

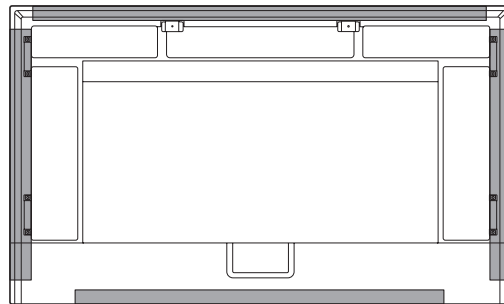
- For mounting instructions of web camera (optional), refer to the instruction manual for the web camera.

Mounting Precautions (For SHARP dealers and service engineers)

- When installing, removing or moving the monitor, ensure that this is carried out by at least 4 people. (PN-LA652: at least 3 people.)
- Be sure to use a wall-mount bracket designed or designated for mounting the monitor.
- This monitor is designed to be installed on a concrete wall or pillar. Reinforced work might be necessary for some materials such as plaster / thin plastic board / wood before starting installation.
- This monitor and bracket must be installed on a wall which can endure at least 4 times or more the weight of the monitor. Install by the most suitable method for the material and the structure.
- To attach a VESA-compliant mounting bracket, use M8 screws that are 3/8 inch (10 mm) to 9/16 inch (15 mm) longer than the thickness of the mounting bracket.



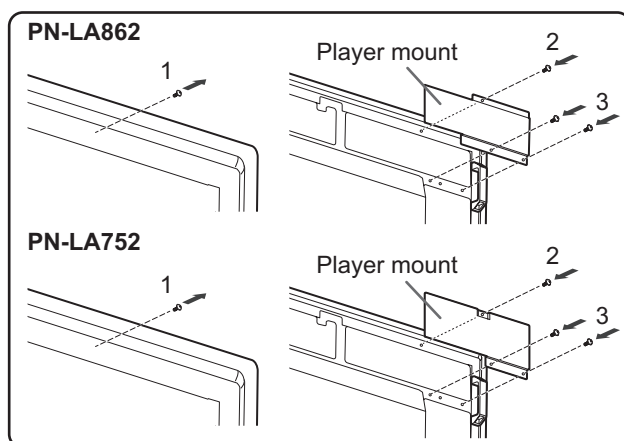
- Do not use an impact driver.
- When moving the monitor, be sure to hold the handles or the parts marked by  below. Do not grasp the screen. This may cause product damage, failure, or injury.



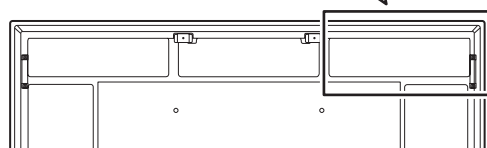
- After mounting, please carefully ensure the monitor is secure, and not able to come loose from the wall or mount.
- Do not use any screw holes other than those for mounting brackets, located on the rear of the monitor, for installation.
- If you need to temporarily place the monitor on a table or other surface during installation, spread a thick soft cloth on the table to prevent damage to the screen and table.
- When using the monitor laying flat on a surface (when the monitor is tilted more than 20 degrees upward from the perpendicular in relation to a level surface), consult an authorized dealer because there are some specific mounting conditions.

■Attaching player mount (PN-LA862/PN-LA752)

Attach the player mount when installing an optional controller.



1. Remove the screws from this monitor.
2. Attach the player mount with the screws removed from this monitor.
3. Attach the player mount with the player mount screw (M4x6) (supplied) (x2).



■ Installing the option board

You can install the option board that is compatible with Intel Smart Display Module Small (Intel SDM-S) and Intel Smart Display Module Large (Intel SDM-L) specifications.

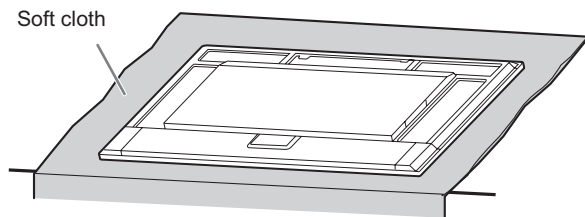
! Caution

- If there are cables already connected, disconnect them all.

TIPS

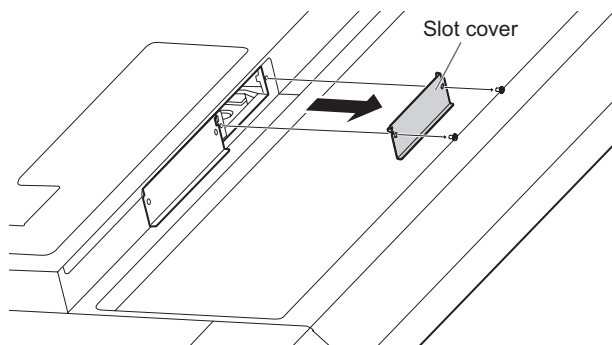
- Contact your dealer for compatible optional boards.

1. Spread a thick, soft cloth (blanket, etc.) that will prevent damage to the LCD panel on a stable flat surface where the entire monitor can be placed, and place the monitor with the LCD panel face down on the cloth.

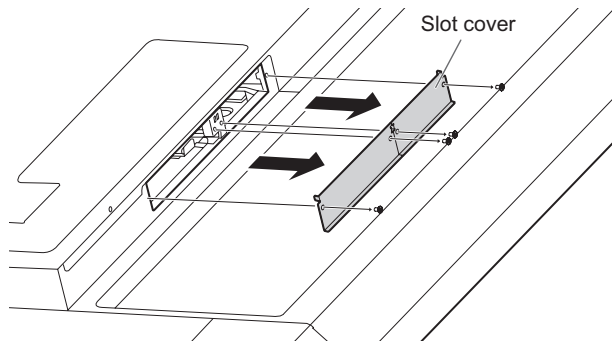


2. Remove the screws (x2), and then remove the slot cover.

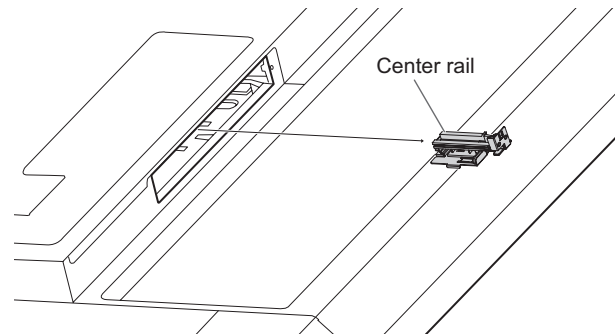
Intel SDM-S:



Intel SDM-L:

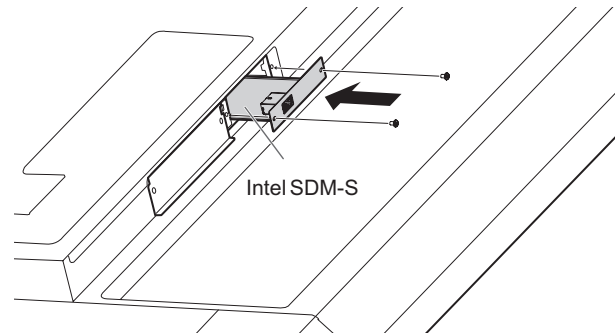


For Intel SDM-L, remove the center rail before attaching the option board.

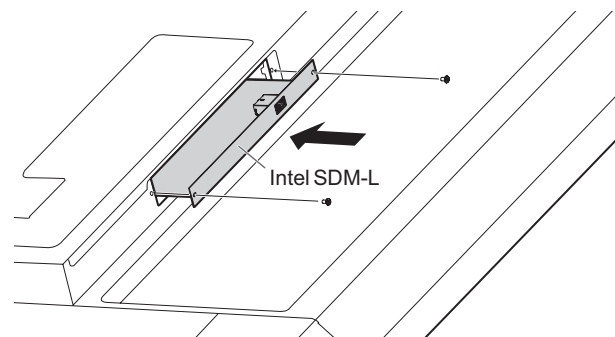


3. Attach the option board with the screws removed in step 2. (Recommended fasten force: 50~80 N·cm)

Intel SDM-S:



Intel SDM-L:



■ Removing the option board

Assemble in the opposite order of the installation.

! Caution

- Make sure the option board is inserted into the slot in the correct orientation.
- Do not apply excessive force to manipulate the option board before attaching it with screws.
- Ensure the option board is securely fastened using the original screws to prevent the option board from falling out the product. A falling option board may expose you to danger.

Trademarks & software licenses

- The terms HDMI, HDMI High-Definition Multimedia Interface, HDMI Trade dress and the HDMI Logos are trademarks or registered trademarks of HDMI Licensing Administrator, Inc.
- DisplayPort is a registered trademark of Video Electronics Standards Association.
- Adobe, Acrobat, and Acrobat Reader are either registered trademarks or trademarks of Adobe in the United States and/or other countries.
- VESA is either registered trademark or trademark of Video Electronics Standards Association in the United States and/or other countries.
- FlatFrog and InGlass are trademarks of FlatFrog Laboratories AB registered in the United States and other regions.
- Intel is a trademark of Intel Corporation or its subsidiaries.
- All other brand and product names are trademarks or registered trademarks of their respective holders.



Table des matières

[FRANÇAIS]


INFORMATIONS IMPORTANTES	1	Connexions	7
CHER CLIENT	2	Mise sous tension et hors tension	8
PRÉCAUTIONS DE SÉCURITÉ	2	Caractéristiques	9
MESURES DE SÉCURITÉ	3	Montage d'une webcaméra	9
PRÉCAUTIONS POUR LE MONTAGE	4	Précautions pour le montage	
Composants fournis	6	(À l'attention des revendeurs et techniciens SHARP) ...	10
Préparation de la télécommande et du stylet	6	Marques déposées et licences du logiciel	12

Les manuels d'utilisation peuvent être téléchargés à partir du site web suivant:
<https://business.sharppusa.com/product-downloads> (États-Unis)
<https://www.sharp.eu/download-centre> (Europe/Asie/Pacifique)
 (Adobe Acrobat Reader est nécessaire pour pouvoir visualiser les manuels.)

FRANÇAIS


INFORMATIONS IMPORTANTES

AVERTISSEMENT : POUR RÉDUIRE LE RISQUE D'INCENDIE OU DE DÉCHARGE ÉLECTRIQUE, NE PAS EXPOSER CE PRODUIT À LA PLUIE OU À LA POUSSIÈRE.



ATTENTION

RISQUE DE DÉCHARGE ÉLECTRIQUE NE PAS OUVRIR



ATTENTION : POUR RÉDUIRE LE RISQUE DE DÉCHARGE ÉLECTRIQUE, NE PAS RETIRER LE COUVERCLE. IL N'Y A AUCUNE PIÈCE RÉPARABLE PAR L'UTILISATEUR À L'INTÉRIEUR. AVERTIR LE PERSONNEL DE SERVICE QUALIFIÉ POUR TOUTE PROCÉDURE D'ENTRETIEN.



Le symbole représenté par l'éclair à la tête en pointe de flèche à l'intérieur d'un triangle, est placé pour alerter l'utilisateur de la présence d'une "tension dangereuse" non isolée à l'intérieur du produit. Cette tension peut avoir une valeur suffisante pour constituer un risque d'électrocution à toute personne.



Le point d'exclamation à l'intérieur d'un triangle est placé pour alerter l'utilisateur de la présence d'une procédure particulière ou d'une procédure de maintenance (entretien) importante dans les manuels accompagnant le produit.

AVERTISSEMENT:

Les lois FCC établissent que tout changement ou modification non-autorisés de cet équipement qui n'ont pas été expressément approuvés par le producteur, constituent un motif d'annulation des droits de l'utilisateur d'utiliser cet appareil.

REMARQUE:

Cet équipement, après les tests, a été jugé conforme aux limites d'un équipement numérique de Classe B, conformément à la section 15 de la réglementation FCC. Ces limites sont destinées à assurer une protection raisonnable contre toute interférence nocive dans le cadre d'une installation résidentielle.

Cet équipement génère, utilise et est susceptible d'irradier de l'énergie sous forme de radiofréquences et, s'il n'est pas installé et utilisé conformément aux instructions, est susceptible de provoquer des interférences dommageables aux communications radio. Toutefois, il n'est pas garanti qu'aucune interférence ne surviendra dans le cadre d'une installation particulière.

Si cet équipement provoque des interférences dommageables aux réceptions radio ou télévision (interférences pouvant être déterminées en éteignant puis en rallumant le matériel), l'utilisateur est invité à essayer de corriger ces interférences en adoptant une ou plusieurs des mesures suivantes:

- Réorienter ou changer la position de l'antenne réceptrice.
- Augmenter la distance entre l'équipement et le récepteur.
- Brancher l'équipement à une prise électrique située sur un circuit différent de celui auquel le récepteur est connecté.
- Consulter le revendeur ou un technicien spécialisé en TV/radio.

ÉTATS-UNIS SEULEMENT

Afin de satisfaire aux normes EMC, utiliser des câbles blindés pour connecter les bornes suivantes: borne d'entrée HDMI, borne d'entrée DisplayPort, borne d'entrée RS-232C, port USB de type C, borne TOUCH PANEL et port USB.





CHER CLIENT

Nous vous remercions d'avoir acheté cet appareil SHARP à écran LCD. Afin de garantir le bon fonctionnement de ce moniteur, nous vous conseillons de lire attentivement cette brochure et de la conserver pour toute référence ultérieure.

PRÉCAUTIONS DE SÉCURITÉ

L'électricité remplit de nombreuses fonctions utiles, mais elle peut provoquer des blessures et des dégâts matériels si elle n'est pas utilisée correctement. Cet appareil a été conçu et fabriqué en attachant la plus grande importance à la sécurité. Cependant, une utilisation inadéquate peut entraîner une décharge électrique et/ou un incendie. Afin d'éviter tout danger potentiel, veuillez respecter les consignes suivantes lors de l'installation, de l'utilisation et du nettoyage de l'appareil. Afin d'assurer votre propre sécurité et de prolonger la durée de service de votre moniteur LCD, veuillez lire attentivement les précautions ci-dessous avant d'utiliser l'appareil.

1. Lisez ces explications — Vous devez lire et comprendre toutes les informations relatives au fonctionnement de l'appareil avant de l'utiliser.
2. Conservez cette brochure dans un endroit sûr — Ces explications concernant la sécurité et le fonctionnement doivent être conservées dans un endroit sûr pour vous y référer en cas de besoin.
3. Respectez les avertissements — Tous les avertissements figurant sur l'appareil et dans ce mode d'emploi doivent être strictement respectés.
4. Suivez les instructions — Toutes les explications sur le fonctionnement doivent être respectées.
5. Nettoyage — Débranchez le cordon d'alimentation au niveau de la prise d'alimentation secteur avant de nettoyer l'appareil. Servez-vous d'un linge sec, et n'employez pas de détergents liquides ou en atomiseur. N'utilisez pas de linges sales. Cela risquerait d'endommager l'appareil.
6. Accessoires — N'utilisez pas d'accessoires non recommandés par le fabricant, car cela pourrait provoquer des accidents.
7. Eau et humidité — N'utilisez pas cet appareil près de l'eau. N'installez pas le produit à un endroit où il pourrait recevoir de l'eau. Évitez en particulier les emplacements sous les appareils à vidange d'eau tels que les climatiseurs.
8. Ventilation — Des ouïes et autres ouvertures sont prévues dans le coffret de l'appareil pour sa ventilation. Ne recouvrez pas et ne bouchez pas ces ouvertures car une ventilation insuffisante peut provoquer une surchauffe et réduire la durée de vie de l'appareil. Ne placez pas l'appareil sur un sofa, un tapis ou toute autre surface analogue car cela pourrait obstruer les ouvertures de ventilation. Cet appareil n'est pas conçu pour une installation encastrée; ne le placez donc pas dans un endroit fermé comme une bibliothèque ou une baie à moins qu'une ventilation adéquate ne soit prévue et que les consignes du fabricant ne soient respectées.
9. Protection du cordon d'alimentation — Faites passer les cordons d'alimentation à un endroit où ils ne seront pas écrasés ou coincés par d'autres objets.
10. L'écran utilisé dans ce produit est en verre et, par conséquent, il peut se briser si l'appareil tombe ou s'il reçoit un fort impact. Veuillez à ne pas être blessé par les éclats de verre au cas où l'écran se romprait.
11. Surcharge — Ne surchargez pas les prises d'alimentation secteur ou les rallonges car cela peut entraîner un risque d'incendie ou d'électrocution.
12. Insertion de solides ou de liquides — N'introduisez jamais des objets par les orifices de cet appareil, car ils pourraient provoquer une électrocution et/ou un court-circuit en touchant des pièces internes sous haute tension. Pour la même raison, ne renversez jamais de l'eau ou un liquide sur l'appareil.
13. Entretien — N'essayez pas de réparer vous-même l'appareil. Le démontage des couvercles peut vous exposer à une haute tension ou à d'autres dangers. Confiez toute réparation à un personnel qualifié.
14. Réparation — Dans les cas suivants, débranchez le cordon d'alimentation au niveau de la prise d'alimentation secteur et demandez à un personnel qualifié d'effectuer les réparations.
 - a. Dégât sur le cordon d'alimentation ou la prise de courant.
 - b. Infiltration d'un liquide ou pénétration d'un objet à l'intérieur de l'appareil.
 - c. Exposition de l'appareil à la pluie ou à l'eau.
 - d. Fonctionnement anormal malgré une conformité aux explications du mode d'emploi.
Ne réglez que les commandes dont il est fait mention dans le mode d'emploi. Un réglage incorrect des autres commandes peut provoquer des dégâts qui nécessiteraient des réparations complexes par un technicien spécialisé.
 - e. Chute ou dégâts subis par l'appareil.
 - f. Lorsque le produit affiche un état anormal. Tout changement notable ou situation anormale de l'appareil indique qu'une réparation est nécessaire.
15. Pièces de rechange — Lorsque des pièces doivent être remplacées, assurez-vous que le technicien a utilisé les pièces spécifiées par le fabricant ou des pièces dont les performances et les caractéristiques sont identiques. Des changements non autorisés de pièces peuvent entraîner un incendie, une électrocution et/ou d'autres dangers.
16. Contrôles de sécurité — Après une intervention d'entretien ou de réparation, demandez au technicien de procéder à un contrôle pour être sûr que l'appareil peut être utilisé en toute sécurité.
17. Installation sur paroi — Si l'appareil doit être fixé sur une paroi, installez-le en respectant la méthode recommandée par le fabricant.
18. Sources de chaleur — Tenez l'appareil à l'écart de sources de chaleur, telles que radiateurs, dispositifs de chauffage, poêles et autres appareils dégageant de la chaleur (y compris les amplificateurs).
19. Piles — Une utilisation incorrecte des piles peut les faire éclater ou prendre feu. Une pile qui fuit peut causer des corrosions dans l'équipement, des salissures aux mains ou abîmer vos vêtements. Afin d'éviter ces problèmes, assurez-vous que les précautions suivantes sont appliquées :
 - Utilisez seulement des piles prescrites.
 - Installez les piles en faisant bien attention aux polarités plus (+) et moins (-) des piles selon les instructions dans le compartiment.
 - Ne mélangez pas des piles usagées avec des neuves.
 - Ne mélangez pas des piles de différents types. Les spécifications de voltage des piles du même format peuvent varier.





- Remplacez rapidement une pile épuisée par une nouvelle.
 - Si vous n'avez pas l'intention d'utiliser la télécommande pendant une longue période, retirez les piles.
 - Si le liquide provenant d'une pile qui fuit touche votre peau ou vos habits, rincez immédiatement et complètement les parties touchées. Si un œil est touché, faites immédiatement un bain d'œil plutôt que de le frotter et cherchez immédiatement un traitement médical. Le liquide provenant de la fuite d'une pile qui atteint votre œil ou vos habits peut causer une irritation de la peau ou des dommages à votre œil.
 - Jetez les batteries vides conformément aux réglementations en vigueur. Placer une batterie dans l'eau, le feu ou un four chaud, ou écraser mécaniquement, couper ou altérer une batterie peut entraîner une explosion.
 - Ne court-circuitez pas les batteries.
20. L'utilisation de ce moniteur ne doit pas entraîner des risques mortels ou des dangers qui pourraient provoquer directement la mort, des dommages corporels, des dommages physiques sévères ou d'autres destructions, y compris dans le contrôle des réactions nucléaires dans les installations nucléaires, dans le système médical de réanimation, et dans le contrôle de lancement des missiles dans les systèmes d'armes.
21. N'entrez pas en contact direct avec les parties du produit ayant chauffé pendant de longues périodes. Il pourrait en résulter des brûlures à basse température.
22. Ne modifiez pas ce produit.

AVERTISSEMENT :

Un appareil de CLASSE I doit être raccordé à une prise de courant principal par une prise de terre.

RISQUE DE STABILITÉ

Un moniteur placé sur un support instable est dangereux en raison des risques de chute qu'il présente. De nombreuses blessures, touchant en particulier les enfants, peuvent être évitées en prenant quelques précautions simples :

- Utiliser les dispositifs de fixation tels que les supports muraux fournis par le fabricant.
- Utiliser uniquement des meubles capables d'accueillir le moniteur en toute sécurité.
- Vérifier que le moniteur ne dépasse pas du bord du meuble sur lequel il est posé.
- Ne pas placer le moniteur sur des meubles hauts, armoires ou étagères, par exemple, sans fixer le meuble concerné et le moniteur à un support approprié.
- Ne pas intercaler de tissu ou toute autre matière entre le moniteur et le meuble sur lequel il est posé.
- Expliquer aux enfants qu'il est dangereux de grimper sur les meubles pour atteindre le moniteur ou ses boutons de commande.
- Cet équipement n'est pas destiné à être utilisé dans des endroits où il peut y avoir des enfants laissés sans surveillance.

En particulier pour la sécurité des enfants


- Ne laissez pas les enfants grimper sur ou jouer avec le moniteur.
- Ne placez pas le moniteur sur des meubles qui peuvent facilement se transformer en marches comme une commode avec tiroirs.
- Souvenez-vous que les enfants s'excitent souvent en visionnant un programme, surtout sur un moniteur « plus grand que la normale ». Il faut faire en sorte d'installer le moniteur là où il ne peut pas être poussé, tiré, ni basculé.
- Il faut faire en sorte de placer les fils et les câbles connectés au moniteur de façon à ce que des enfants curieux ne puissent pas les tirer ni les saisir.

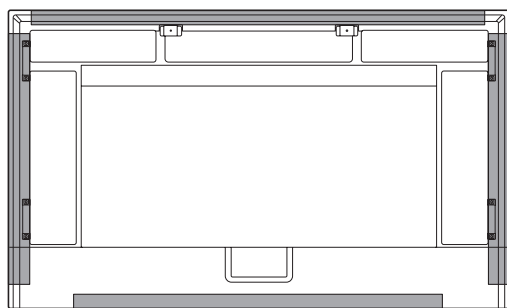
MESURES DE SÉCURITÉ

- N'utilisez pas le moniteur dans un endroit où il y a beaucoup de poussières, où le degré d'humidité est élevé, ou encore là où il pourrait se trouver en contact avec de l'huile ou de la vapeur. Ne l'utilisez pas non plus dans un environnement contenant des gaz corrosifs (dioxyde de soufre, sulfure d'hydrogène, dioxyde d'azote, chlore, ammoniac, ozone, etc.). Cela pourrait provoquer un début d'incendie.
 - Assurez-vous que le moniteur ne se trouve pas en contact avec de l'eau ou d'autres fluides. Assurez-vous qu'aucun objet tel que des agrafes et des trombones ne pénètre dans le moniteur, car cela pourrait provoquer un début d'incendie ou un choc électrique.
 - N'installez pas le moniteur au dessus des objets instables ou dans des endroits peu sûrs. Faites attention que le moniteur ne reçoive pas de chocs violents ni de fortes vibrations. Provoquer la chute du moniteur ou le culbuter peut l'endommager.
 - N'utilisez pas le moniteur à proximité d'un appareil de chauffage ou dans des endroits où la température est élevée, car cela pourrait conduire à un dégagement excessif de chaleur et provoquer un début d'incendie.
 - N'utilisez pas le moniteur dans des endroits exposés directement à la lumière du soleil. Il y a risque de déformation et de dysfonctionnement du coffret de l'appareil si le moniteur est utilisé à la lumière directe du soleil.
 - Veillez à nettoyer fréquemment la poussière et les débris accumulés sur les ouvertures de ventilation. L'accumulation de poussière sur les ouvertures de ventilation ou à l'intérieur du moniteur risque d'entraîner une surchauffe, un incendie ou un dysfonctionnement. Faites nettoyer l'intérieur du moniteur par un revendeur SHARP ou un centre de services autorisé.
 - La prise d'alimentation secteur doit être installée près de l'équipement et être facilement accessible.
 - Ne faites pas fonctionner l'écran avec un objet rigide ou pointu tel qu'un angle ou un crayon.
 - Convient à des fins de divertissement dans des environnements lumineux contrôlés, pour éviter les reflets gênants sur l'écran.
- #### Le cordon d'alimentation
- Utilisez seulement le cordon d'alimentation fourni avec le moniteur.
 - N'endommagez pas le cordon d'alimentation, ne déposez pas d'objets lourds sur le cordon d'alimentation, ne tirez pas dessus et ne le pliez pas de manière excessive. De même, n'ajoutez pas de rallonges. Tout endommagement du cordon d'alimentation peut provoquer un début d'incendie ou un choc électrique.
 - Ne branchez pas le cordon d'alimentation sur une prise multiple. Ajouter une rallonge peut entraîner une surchauffe et provoquer un début d'incendie.
 - Ne débranchez pas ni ne branchez la prise d'alimentation avec des mains humides. En ce faisant, vous risquez un choc électrique.
 - Débranchez le cordon d'alimentation si l'équipement n'est pas utilisé pendant une longue période.
 - Ne tentez pas de réparer le cordon d'alimentation s'il est coupé ou s'il ne fonctionne pas correctement. Veuillez prendre contact avec le service après vente et suivre ses recommandations.
 - Ce moniteur est conçu pour être utilisé avec le cordon d'alimentation relié à la terre. Si le cordon d'alimentation n'est pas relié à la terre, il existe un risque de choc électrique. Assurez-vous que le cordon d'alimentation est directement branché à la prise murale et correctement mis à la terre. N'utilisez pas d'adaptateur de convertisseur de prise à 2 broches.
 - Ne touchez pas la fiche d'alimentation en cas d'orage. Cela pourrait entraîner un choc électrique.
 - Ne dépassez pas la tension d'alimentation spécifiée du produit là où il est installé. Cela pourrait provoquer un incendie ou un choc électrique. Veuillez vous référer aux informations concernant la tension d'alimentation dans les spécifications.



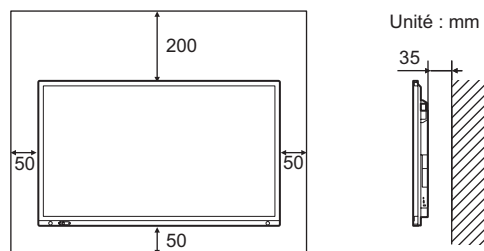
PRÉCAUTIONS POUR LE MONTAGE

- Pour les revendeurs ou les techniciens SHARP de maintenance, veuillez confirmer les "Précautions pour le montage (À l'attention des revendeurs et techniciens SHARP)". (Voir à la page 10.)
- Ce produit est destiné à être utilisé en intérieur.
- Un support de montage conforme aux spécifications VESA est nécessaire.
- Comme le moniteur est lourd, consultez votre revendeur avant l'installation, le démontage ou le déplacement du moniteur.
- Le montage du moniteur sur le mur demande des compétences techniques spéciales et le travail doit être fait par un revendeur agréé. Vous ne devez jamais tenter de faire ce travail vous-même. Notre société déclinera toute responsabilité pour les accidents ou blessures causés par un montage incorrect ou par une mauvaise manipulation.
- Utilisez le moniteur perpendiculairement à la surface horizontale. Si nécessaire, vous pouvez incliner le moniteur de 20 degrés vers le haut au maximum.
- Lorsque vous déplacez le moniteur, assurez-vous de le tenir par les poignées ou par les parties indiquées dans  ci-dessous. Ne le saisissez pas par l'écran. Cela risque d'endommager le produit, provoquer une panne ou des blessures.

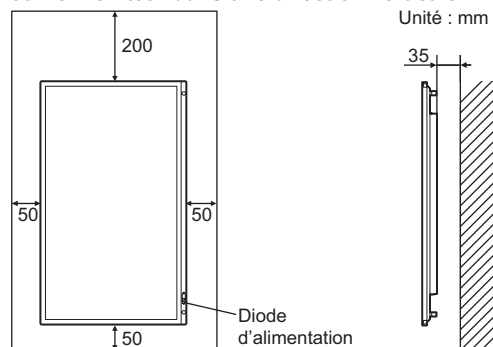


- Ce moniteur doit être utilisé sous une température ambiante entre 5°C et 35°C. Laissez assez d'espace autour du moniteur pour empêcher que la chaleur ne s'accumule à l'intérieur.

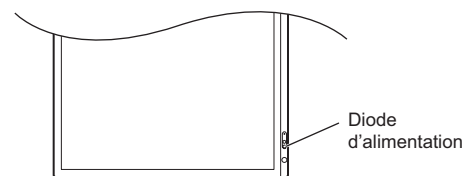
Pour le moniteur dans une direction horizontale



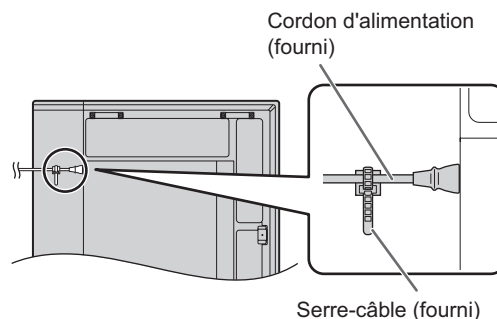
Pour le moniteur dans une direction verticale



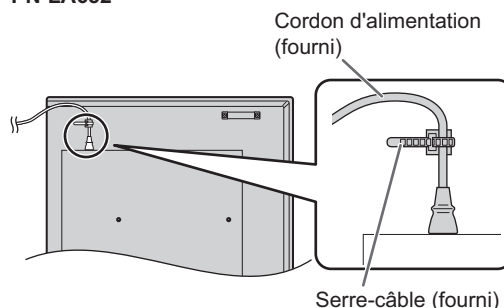
- Faites attention aux températures élevées autour des moniteurs. S'il s'avère difficile de laisser un espace suffisant pour une raison quelconque, telle que l'installation du moniteur dans un logement ou le montage côte à côte de plusieurs appareils, ou lorsque la température ambiante risque de se situer en dehors de la plage 5°C à 35°C, installez un ventilateur ou prenez d'autres mesures pour maintenir la température ambiante dans les limites de la plage requise.
- La température de fonctionnement du moniteur peut être différente de celle des accessoires additionnels recommandés par SHARP. Lorsque c'est le cas, veuillez vérifier la température de fonctionnement des accessoires additionnels.
- Ne bloquez pas les ouvertures de ventilation. Si la température dans le moniteur s'élève, ceci pourrait causer un dysfonctionnement.
- Ne placez le moniteur sur un équipement qui dégage de la chaleur.
- N'utilisez pas le produit à des endroits où l'unité est exposée aux rayons directs du soleil ou à un autre éclairage puissant. Comme ce produit fonctionne avec des rayons infrarouges, une telle lumière risque de causer des dysfonctionnements.
- Lorsque vous utilisez plusieurs moniteurs à proximité l'un de l'autre, assurez-vous que les transmetteur/récepteur infrarouge ne se parasitent pas.
- Respectez la condition suivante quand vous installez le moniteur dans la direction verticale. Le non respect de cette condition peut causer des dysfonctionnements.
 - Installez le moniteur de manière que la diode d'alimentation soit située en bas.



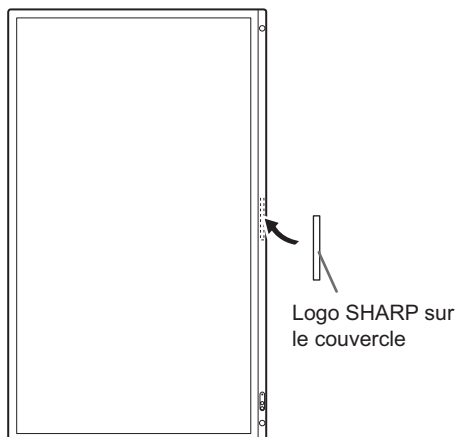
- Réglez le "INSTALL. PORTRAIT/PAYSAGE" sur "PORTRAIT" dans le menu ADMIN. (Voir le MODE D'EMPLOI.)
- Veillez à accrocher le cordon d'alimentation (fourni) sur la fixation du serre-câble située à l'aide du serre-câble. Lorsque vous accrochez le cordon d'alimentation, veillez à ne pas exercer une force excessive sur la borne du cordon d'alimentation. Ne pliez pas excessivement le cordon d'alimentation.



PN-LA652

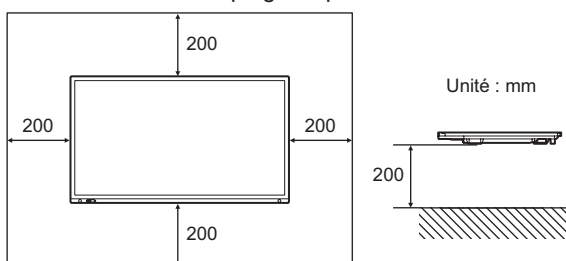


- Utiliser logo SHARP sur le couvercle vous installez le moniteur dans une direction verticale.



Installation à l'horizontale

- Lorsque vous utilisez le moniteur à plat sur une surface (lorsque le moniteur est incliné de plus de 20 degrés vers le haut depuis la position perpendiculaire par rapport à une surface plane), contactez un revendeur agréé car il existe des conditions de montage spécifiques. Respecter les consignes suivantes. Le non-respect des consignes qui suivent peut être responsable d'un mauvais fonctionnement.
 - Réglez "INSTALLATION PAYSAGE" dans le menu ADMIN sur "VERS LE HAUT". (Voir le MODE D'EMPLOI.)
 - Utiliser le moniteur à la température ambiante entre 5°C et 30°C. Laisser un espace libre d'au moins 200 mm entre le moniteur et le plancher ou toute autre surface de montage et les objets environnants pour éviter une accumulation de chaleur à l'intérieur.
 S'il s'avère difficile de laisser un espace suffisant ou si la température ambiante risque de se situer en dehors de la plage 5°C à 30°C, installez un ventilateur ou prenez d'autres mesures pour maintenir la température ambiante dans les limites de la plage requise.



- Ne pas appuyer trop fort sur l'écran LCD ou lui faire subir des chocs.

Composants fournis

Si des composants venaient à manquer, veuillez contacter votre revendeur.

- Affichage interactif : 1
- Télécommande : 1
- Serre-câble : 3



- Cordon d'alimentation
- Pile de la télécommande : 2

- Manuel d'Installation (ce manuel) : 1
- Stylet : 2
- Support de la caméra (petit) : 1
- Vis de la caméra (filetage en 2,5 cm) : 1
- Support de la caméra (grand) : 1
- Câble USB : 1

- Logo SHARP sur le couvercle : 1
Placez cet autocollant sur le logo SHARP pour le couvrir.
- Vis de la support de la caméra (M3x8) : 2
- Vis de la support de la caméra (M3x12) : 2

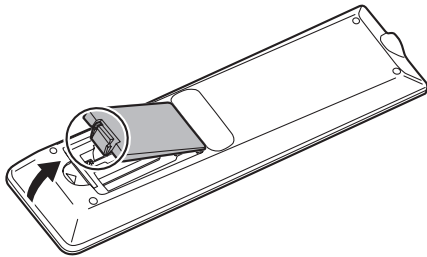
PN-LA862/PN-LA752 uniquement

- Support de la lecteur: 1
- Vis de la support de la lecteur (M4x6) : 2

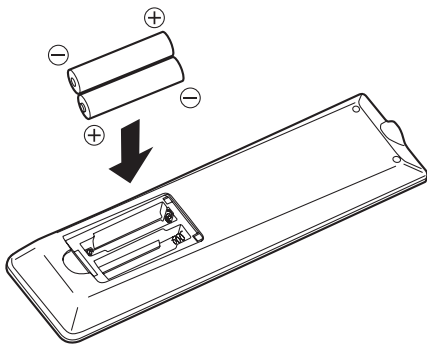
* **Remarque:** Ne pas jeter les piles avec les ordures ménagères pour protéger l'environnement; la mise au rebut des piles exige un traitement spécial.

Préparation de la télécommande et du stylet

1. Placer votre doigt sur la pièce marquée d'un ▲, puis tirer pour enlever le couvercle.



2. Reportez-vous aux instructions dans le compartiment et insérez les piles fournies (R03 ou LR03 (format "AAA") x 2) avec leurs pôles positifs (+) et négatifs (-) orientés correctement.



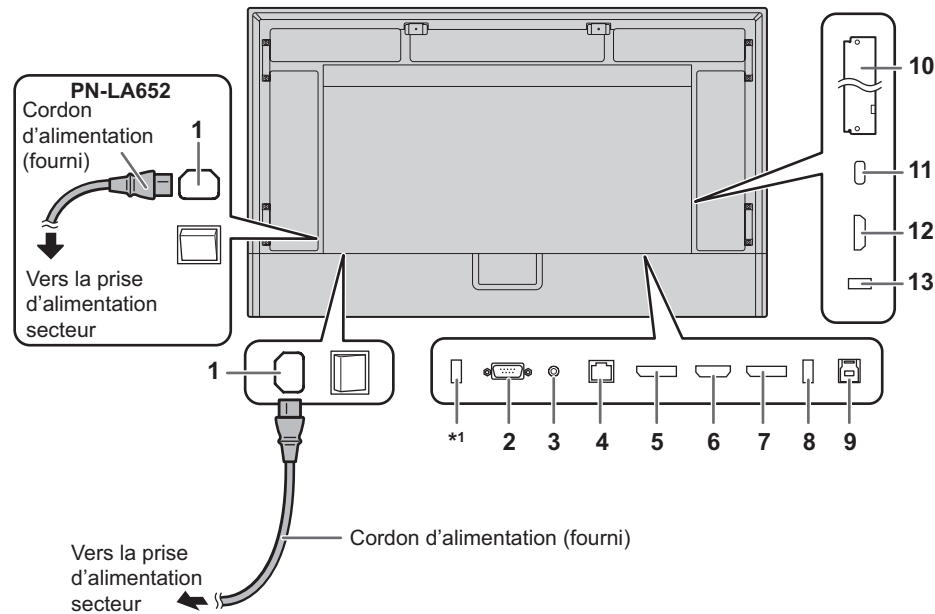
3. Refermer le couvercle.

Connexions

! Attention

- Veillez à bien mettre hors tension l'interrupteur principal puis débranchez la prise de l'alimentation secteur avant de connecter ou de déconnecter les câbles. Lisez également le manuel de l'équipement à connecter.
- Veillez à ne pas confondre la borne d'entrée avec la borne de sortie quand vous connectez les câbles. En confondant les câbles branchés aux bornes d'entrée et de sortie, vous pouvez causer des dysfonctionnements et d'autres problèmes.
- Lors du branchement du cordon d'alimentation à la borne d'entrée CA du produit, assurez-vous que le connecteur est complètement et fermement inséré.

■ Vue de l'arrière



1. Borne d'entrée secteur
2. Borne d'entrée RS-232C
3. Borne de sortie audio
4. Borne LAN
5. Borne de sortie DisplayPort
6. Borne d'entrée HDMI2 (prenant en charge ARC)
7. Borne d'entrée DisplayPort
8. Port USB 2 (compatible USB3.0, type A)
9. Borne TOUCH PANEL^{*2} (pour écran tactile) (pour HDMI1/HDMI2/DisplayPort)
10. Logement de panneau en option
11. Port USB de type C^{*2}
12. Borne d'entrée HDMI1
13. Port USB 1 (compatible USB3.0, type A)

*1 Ce port est destiné à "PARAM. DE CLÔNAGE" et aux futures mises à jour du logiciel.

Importe ou exporte les paramètres du moniteur via le périphérique de clé USB lors de la sélection de "PARAM. DE CLÔNAGE". (Voir le MODE D'EMPLOI.)

*2 Paramètre d'usine. Vous pouvez régler la borne à utiliser dans chaque mode d'entrée avec "AUSWAHL TOUCH-EINGABE".

Conseils

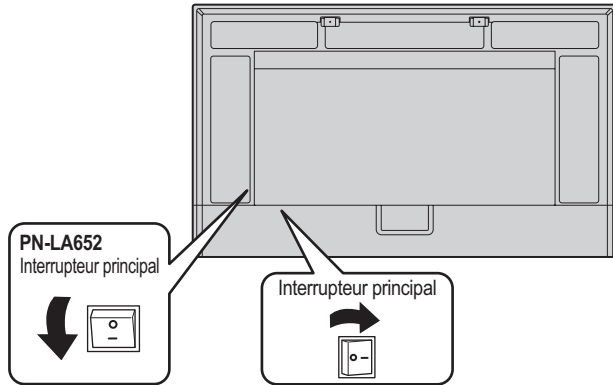
- Le Information Display Downloader est également téléchargeable sur le site web suivant.
<https://business.sharppusa.com/product-downloads> (États-Unis)
<https://www.sharp.eu/download-centre> (Europe/Asie/Pacifique)
Une fois le Information Display Downloader installé, vous pouvez consulter et télécharger les dernières versions des logiciels et des firmwares.
Pour installer le logiciel, reportez-vous au manuel de chacun.
Le programme de configuration de Pen Software et les programmes de configuration de Touch Viewing Software/Touch Viewer, le firmware le plus récent peuvent être téléchargés à l'aide d'Information Display Downloader.

Mise sous tension et hors tension

! Attention

- Mettez sous tension le moniteur d'abord avant de mettre sous tension l'ordinateur ou l'équipement de lecture.
- Lors de la mise hors tension et de la remise sous tension, ou lorsque vous appuyez sur l'interrupteur principal ou le bouton POWER, attendez toujours au moins 5 secondes. Un court intervalle peut entraîner un dysfonctionnement.

Mise sous tension de l'interrupteur principal



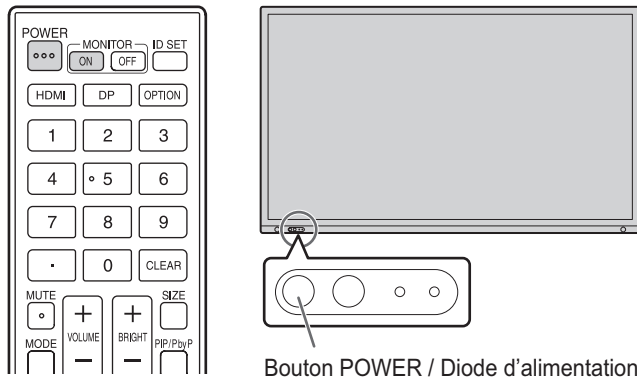
Mode arrêt, lorsque interrupteur principal est en position arrêt.

! Attention

- La mise sous/hors tension doit être effectuée à l'aide de l'interrupteur principal. Ne branchez/débranchez pas le cordon d'alimentation ou ne mettez pas le disjoncteur sous/hors tension lorsque l'interrupteur principal est en position marche.
- Pour déconnecter complètement l'alimentation électrique, retirez la fiche principale de la prise.

Mise sous tension

1. Appuyez sur le bouton POWER ou sur le bouton MONITOR ON pour la mise sous tension.



Bouton POWER / Diode d'alimentation

État	État du moniteur
Clignotement en Orange/Bleu	Pendant la mise sous tension
Allumé en bleu	Power en position marche
Allumé en orange	Power en position arrêt (état de veille*1)
Clignotement en bleu	État d'attente du signal d'entrée*2

*1 Mode veille lorsque "MODE ÉCONOMIE D'ÉNERGIE" est réglé sur "ON" et que "PORT RÉSEAU" et "CAPTEUR DE MOUVEMENT" sont réglés sur "OFF".

Mode veille avec maintien de la connexion au réseau lorsque "MODE ÉCONOMIE D'ÉNERGIE" et "PORT RÉSEAU" sont réglés sur "ON" et que "CAPTEUR DE MOUVEMENT" est réglé sur "OFF". Mode veille avec maintien de la connexion au réseau permet au moniteur d'être allumé via réseau (LAN, RS-232C et HDMI CEC).

*2 Lorsque le "MODE ÉCONOMIE D'ÉNERGIE" est réglé sur "OFF" et que la "GESTION DE L'ALIMENTATION" est réglée sur "ON", passage à l'état d'attente du signal d'entrée lorsqu'aucun signal n'est détecté.

Conseils

- Lorsque l'interrupteur principal est en position arrêt, il est impossible de mettre le moniteur en marche.
- Lorsque le moniteur est en état d'attente du signal d'entrée et que vous appuyez sur la bouton POWER ou MONITOR ON, le moniteur est mis sous tension.
- Lorsque le moniteur est en état d'attente du signal d'entrée et que vous appuyez sur la bouton MONITOR OFF, le moniteur est mis hors tension.
- Pour désactiver l'affichage de l'écran logo lors de la mise sous tension, réglez "ÉCRAN LOGO" dans "SYSTEME" sur "OFF" dans le menu ADMIN. (Voir le MODE D'EMPLOI.)
- Vous pouvez régler le mode d'entrée qui s'affiche après le démarrage. Réglez sur "LANÇER LE MODE D'ENTRÉE" dans "PARAMÈTRES ENTRÉE" dans le menu ADMIN.
- Lorsque vous démarrez le panneau en option, changez "ENTRÉE MODE" en "OPTIONS".
- Lorsque vous utilisez la panneau en option pour la première fois, la configuration de la panneau en option est exécutée. N'éteignez pas l'interrupteur d'alimentation principal pendant que la configuration est en cours d'exécution.

■ Opérations après la première mise sous tension

Lorsque vous mettez l'appareil sous tension pour la première fois, l'écran de réglages de la langue, de la communication, de la date et l'heure, etc. s'affiche.

Utilisez les boutons ▲, ▼, ◀, ▶ de la télécommande pour faire les réglages.

L'écran "LANGAGE" s'affiche.

1. Après avoir réglé "LANGAGE", sélectionnez "SUIVANT" et appuyez sur le bouton ENTER de la télécommande.

L'écran "RÉGLAGE COMMUNICATION" s'affiche.

2. Après avoir réglé "RÉGLAGE COMMUNICATION", sélectionnez "SUIVANT" et appuyez sur le bouton ENTER de la télécommande.

L'écran "RÉGLAGE DATE/HEURE" s'affiche.

3. Après avoir réglé "RÉGLAGE DATE/HEURE", sélectionnez "SUIVANT" et appuyez sur le bouton ENTER de la télécommande.

L'écran "FONCTION DE CONTRÔLE" s'affiche.

4. Après avoir réglé "FONCTION DE CONTRÔLE", sélectionnez "SUIVANT" et appuyez sur le bouton ENTER de la télécommande.

L'écran "PARAMÈTRES DE LA SALLE DE CONFÉRENCE" s'affiche.

5. Après avoir réglé "PARAMÈTRES DE LA SALLE DE CONFÉRENCE", sélectionnez "TERMINER" et appuyez sur le bouton ENTER de la télécommande.

Les réglages ci-dessous sont des réglages recommandés et est conforme à la "Configuration Normale" telle que dénie dans le Règlement EcoDesign (2019/2021).

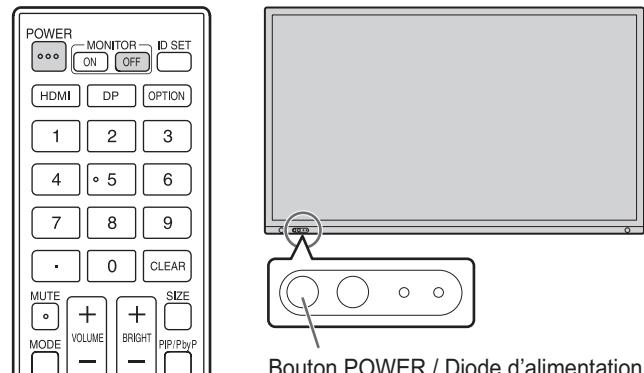
- MODE ÉCONOMIE D'ÉNERGIE: ON
- PORT RÉSEAU: OFF
- CAPTEUR DE MOUVEMENT: OFF

Mise hors tension

Si vous utilisez le panneau en option, consultez le manuel d'utilisation.

1. Appuyez sur le bouton POWER ou sur le bouton MONITOR OFF.

Mise hors tension. (État de veille)



Bouton POWER / Diode d'alimentation

Caractéristiques

Modèle	PN-LA862	PN-LA752	PN-LA652
Alimentation	CA 100 V - 240 V, 4,9 A-1,9 A, 50/60 Hz	CA 100 V - 240 V, 4,1 A-1,6 A, 50/60 Hz	CA 100 V - 240 V, 3,9 A-1,5 A, 50/60 Hz
Température de fonctionnement *1	5°C à 35°C		
Hygrométrie de fonctionnement	20 % à 80 % (sans condensation)		
Température de stockage	-20°C à 60°C		
Humidité de stockage	10 % à 80 % (sans condensation)		
Consommation électrique *2	275 W (440 W)	205 W (360 W)	190 W (350 W)
Dimensions (mm) (à l'exclusion des éléments qui dépassent)	Environ 1965,4 (L) x 86,5 (P) x 1163,9 (H)	Environ 1720,1 (L) x 86,5 (P) x 1025,9 (H)	Environ 1493,5 (L) x 90,7 (P) x 896,1 (H)
Poids (kg)	Environ 71,5	Environ 56,5	Environ 49

*1 Lorsque vous utilisez le moniteur à plat sur une surface (lorsque le moniteur est incliné de plus de 20 degrés vers le haut depuis la position perpendiculaire par rapport à une surface plane), utiliser le moniteur à la température ambiante entre 5°C et 30°C.

La température de fonctionnement du moniteur peut être différente de celle des accessoires additionnels recommandés par SHARP.

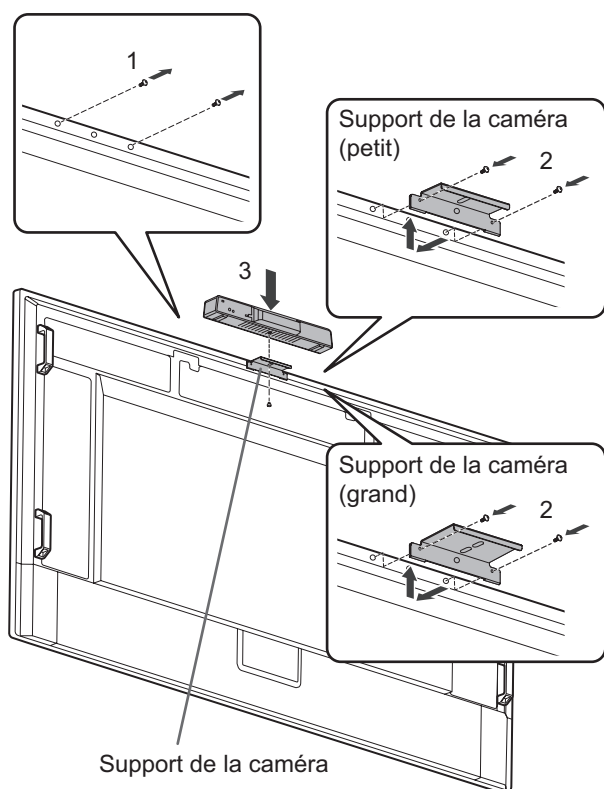
Lorsque c'est le cas, veuillez vérifier la température de fonctionnement des accessoires additionnels.

*2 Réglage d'usine. (Lorsque aucune pièce facultative n'est attachée.)

SHARP se réserve le droit d'apporter sans préavis des modifications à la présentation et aux caractéristiques des appareils aux fins d'amélioration. Les valeurs indiquées dans ce document sont les valeurs nominales des appareils de série mais de légères différences peuvent être constatées d'un appareil à l'autre.

FRANÇAIS

Montage d'une webcaméra



Il est possible de monter le Barre de visioconférence PN-ZCMS1 (optionnel) ou une webcaméra en vente dans le commerce (1,1 kg maximum) à l'aide du support de caméra (petit) (fourni).

1. Retirez les vis de ce moniteur.

2. PN-LA862/PN-LA752:

Fixez le support de la caméra (petit) (fourni) à l'aide de la Vis de la support de la caméra (M3x12) (x2) (optionnel).
PN-LA652:

Fixez le support de la caméra (petit) (fourni) à l'aide de la Vis de la support de la caméra (M3x8) (x2) (optionnel).
Les vis du support de la caméra sont différentes selon le moniteur.

3. Fixez le PN-ZCMS1 (optionnel) sur le support de la caméra à l'aide de la vis de la caméra (filetage en 2,5 cm) (fourni).

Il est possible de monter la webcaméra que nous recommandons à l'aide du support de la caméra (grand format) (fourni). Contactez votre revendeur pour connaître la webcaméra que nous recommandons.

1. Retirez les vis de ce moniteur.

2. PN-LA862/PN-LA752:

Fixez le support de la caméra (grand)(fourni) à l'aide de la Vis de la support de la caméra (M3x12) (x2) (optionnel).
PN-LA652:

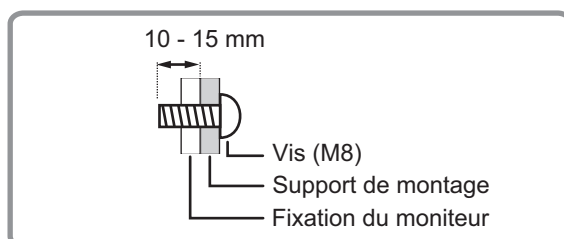
Fixez le support de la caméra (grand) (fourni) à l'aide de la Vis de la support de la caméra (M3x8) (x2) (optionnel).
Les vis du support de la caméra sont différentes selon le moniteur.


TIPS

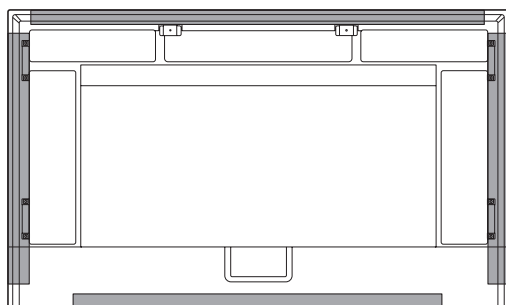
- Pour les instructions de montage de la webcaméra (optionnel), se référer au mode d'emploi de la webcaméra.

Précautions pour le montage (À l'attention des revendeurs et techniciens SHARP)

- L'installation, le démontage ou le déplacement du moniteur doit être fait par 4 personnes ou plus. (PN-LA652 : 3 personnes ou plus.)
- Veillez à utiliser un support mural conçu ou prévu pour la fixation du moniteur.
- Ce moniteur est prévu pour être installé sur un mur ou un pilier en béton. Un travail de renforcement pourrait s'avérer nécessaire pour certains matériaux tels que le plâtre, un mince panneau de plastique ou le bois avant de commencer l'installation.
- Le mur sur lequel ce moniteur et le support doivent être installés doit pouvoir supporter, au moins, 4 fois son poids ou davantage. Installez de la manière qui convient le mieux en fonction du matériau et de la structure.
- Pour fixer un support de montage compatible avec VESA, utilisez des vis M8 de 10 mm à 15 mm plus longues que l'épaisseur du support de montage.



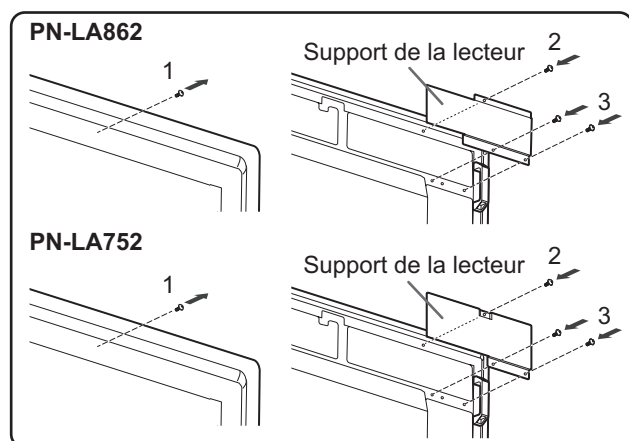
- N'utilisez pas de tournevis à percussion.
- Lorsque vous déplacez le moniteur, assurez-vous de le tenir par les poignées ou par les parties indiquées dans  ci-dessous. Ne le saisissez pas par l'écran. Cela risque d'endommager le produit, provoquer une panne ou des blessures.



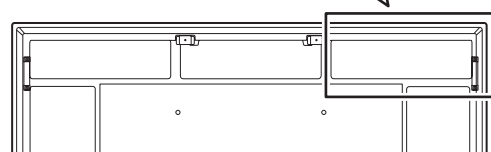
- Après le montage, assurez-vous que le moniteur est bien fixé au mur ou au support, sans risque de relâche.
- N'utilisez pas de trous de vis autres que les trous de vis pour les supports de montage et situés à l'arrière du moniteur, pour l'installation.
- Si vous devez poser temporairement le moniteur sur une table ou une autre surface pendant l'installation, étalez un chiffon doux épais sur la table afin d'éviter d'endommager l'écran et la table.
- Lorsque vous utilisez le moniteur à plat sur une surface (lorsque le moniteur est incliné de plus de 20 degrés vers le haut depuis la position perpendiculaire par rapport à une surface plane), contactez un revendeur agréé car il existe des conditions de montage spécifiques.

■ Fixation du support de la lecteur (PN-LA862/PN-LA752)

Fixez le support de la lecteur lors de l'installation d'une contrôleur en option.



1. Retirez les vis de ce moniteur.
2. Fixez le support de la lecteur à l'aide des vis retirées de ce moniteur.
3. Fixez le support de la lecteur à l'aide de la vis de la lecteur (M4x6) (fourni) (x2).



■ Installation du panneau en option

Vous pouvez installer le panneau en option compatible avec les spécifications Intel Smart Display Module Small (Intel SDM-S) et Intel Smart Display Module Large (Intel SDM-L).

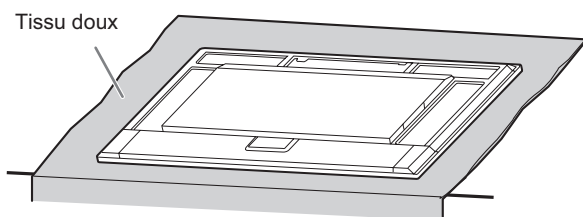
! Attention

- Si des câbles sont déjà branchés, débranchez-les tous.

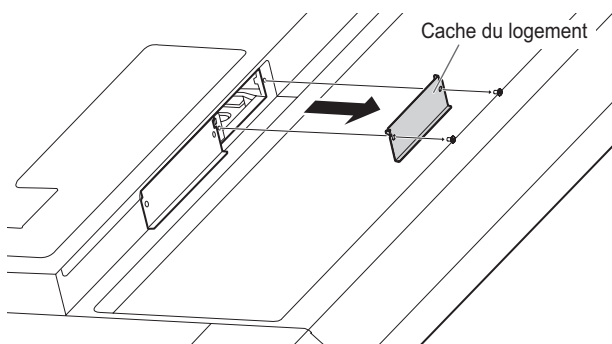
ASTUCES

- Contactez votre revendeur pour les panneaux en option compatibles.

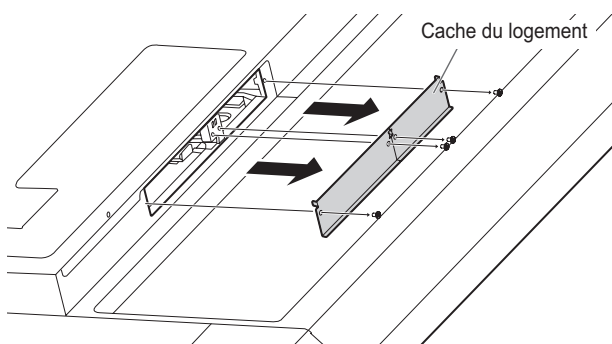
1. Étalez un tissu épais et doux (couverture, etc.) qui évitera d'endommager le panneau LCD sur une surface plane stable sur laquelle l'ensemble du moniteur peut être posé, puis posez le moniteur avec le panneau LCD face vers le bas sur le tissu.



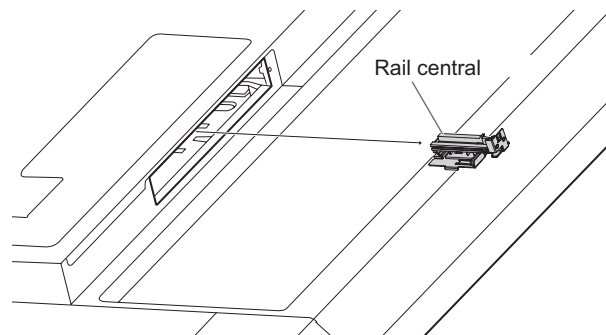
2. Retirez les vis (x2), puis retirez le cache du logement.



Intel SDM-L :

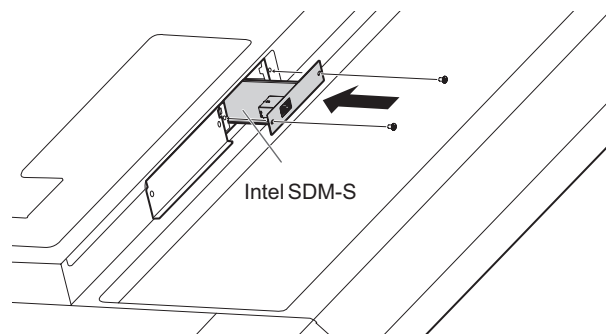


Pour Intel SDM-L, retirez le rail central avant de fixer le panneau en option.

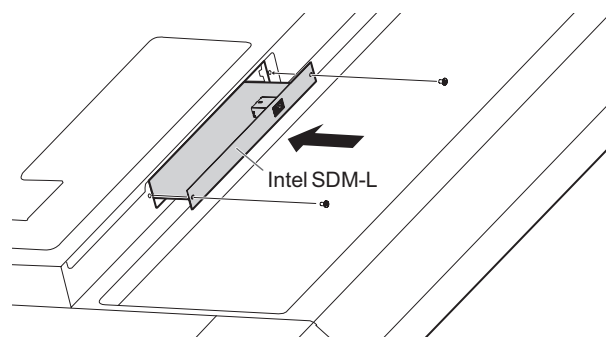


3. Fixez le panneau en option à l'aide des vis retirées à l'étape 2. (Couple de serrage recommandé : 50 à 80 N•cm)

Intel SDM-S :



Intel SDM-L :



■ Retrait du panneau en option

Procédez dans l'ordre inverse de l'installation.

! Attention

- Assurez-vous que le panneau en option est inséré dans le logement dans le bon sens.
- N'appliquez pas de force excessive pour manipuler le panneau en option avant de le fixer avec les vis.
- Assurez-vous que le panneau en option est solidement fixé à l'aide des vis d'origine pour éviter que le panneau en option ne se détache du produit. S'il venait à tomber, le panneau en option pourrait vous exposer à un danger.

Marques déposées et licences du logiciel

- Les termes HDMI, HDMI High-Definition Multimedia Interface, l'habillage commercial HDMI et les logos HDMI sont des marques commerciales ou des marques déposées de HDMI Licensing Administrator, Inc.
- DisplayPort est une marque déposée de Video Electronics Standards Association.
- Adobe, Acrobat, et Acrobat Reader sont des marques déposées ou des marques commerciales de Adobe aux États-Unis et/ou dans d'autres pays.
- VESA est une marque déposée ou une marque commerciale de Video Electronics Standards Association aux États-Unis et/ou dans d'autres pays.
- FlatFrog et InGlass sont des marques commerciales de FlatFrog Laboratories AB enregistrées aux États-Unis et dans d'autres régions.
- Intel est une marque commerciale d'Intel Corporation ou de ses filiales.
- Toutes les autres marques et les noms de produits sont des marques commerciales ou des marques déposées par les compagnies respectives.



Índice

[ESPAÑOL]

INFORMACIÓN IMPORTANTE1	Conexiones7
ESTIMADO CLIENTE DE SHARP2	Encendido/apagado8
PRECAUCIONES DE SEGURIDAD2	Especificaciones9
INSTRUCCIONES DE SEGURIDAD3	Montaje de una cámara web9
PRECAUCIONES DE MONTAJE4	Precauciones de montaje
Componentes suministrados6	(para distribuidores y técnicos de servicio de SHARP) ... 10
Preparación de la Unidad de control remoto y el Lápiz táctil...6	Marcas comerciales y licencias del software 12

Los manuales de funcionamiento se pueden descargar del siguiente sitio web:

<https://business.sharppusa.com/product-downloads> (EE. UU.)

<https://www.sharp.eu/download-centre> (Europa/Asia/Pacífico)

(Se necesita Adobe Acrobat Reader para ver los manuales.)

INFORMACIÓN IMPORTANTE

ADVERTENCIA: PARA REDUCIR EL RIESGO DE INCENDIO O DESCARGAS ELÉCTRICAS, NO EXPONGA ESTE PRODUCTO A LA LLUVIA NI A LA HUMEDAD.

	PRECAUCIÓN	
RIESGO DE DESCARGAS ELÉCTRICAS NO ABRIR		
<p>PRECAUCIÓN: PARA REDUCIR EL RIESGO DE DESCARGAS ELÉCTRICAS, NO RETIRE LA TAPA. EN EL INTERIOR NO HAY PIEZAS QUE EL USUARIO PUEDA REPARAR. SOLICITE CUALQUIER REPARACIÓN A UN TÉCNICO DE SERVICIO CALIFICADO.</p>		



El símbolo del rayo con cabeza de flecha dentro de un triángulo está concebido para avisar al usuario de la presencia de "tensión peligrosa" sin aislamiento en el interior del producto que podría ser de magnitud suficiente para constituir un riesgo de descargas eléctricas a las personas.



El símbolo de exclamación dentro de un triángulo está concebido para avisar al usuario de la presencia de instrucciones importantes de uso y mantenimiento (servicio) en la documentación que acompaña al producto.

ADVERTENCIA:

La normativa de la FCC establece que cualquier cambio o modificación no autorizados en este equipo y no aprobados expresamente por el fabricante podrían anular el derecho del usuario a utilizar el equipo.

NOTA:

Este equipo ha sido probado y es conforme a los límites para dispositivos digitales de la Clase B, de acuerdo con la Parte 15 de la normativa de la FCC. Estas limitaciones están destinadas a proveer una protección razonable contra parasitaje interferente en una instalación doméstica.

El equipo genera, emplea y puede irradiar frecuencia radio-energética y, caso de instalación y uso disconforme con las instrucciones, puede provocar interferencias en la comunicación vía radio. Ello, sin embargo, no es garantía de que no ocurran interferencias en una instalación específica.

Si el presente equipo provocara interferencias en la recepción radiofónica o televisiva que puede constatarse por la conmutación y desconmutación del mismo, se recomienda al usuario intentar corregir la interferencia mediante una o más de las siguientes medidas.

- Nueva orientación o ubicación de la antena de recepción.
- Aumento de la distancia entre el equipo y el aparato receptor.
- Conexión del equipo a una toma de corriente de un circuito eléctrico diferente al que se encuentra conectado el aparato receptor.
- Solicite la asistencia del concesionario o de un técnico en radio/TV experimentado.

EE.UU. SÓLO

Para mantener la conformidad con la normativa sobre compatibilidad electromagnética (EMC), utilice cables blindados para la conexión a los siguientes terminales: Terminal de entrada HDMI, terminal de entrada DisplayPort, terminal de entrada RS-232C, puerto USB tipo C, terminal TOUCH PANEL y puerto USB.

ESPAÑOL





ESTIMADO CLIENTE DE SHARP

Gracias por adquirir un producto LCD de SHARP. Para garantizar la seguridad y muchos años de funcionamiento sin problemas, lea atentamente las Precauciones de seguridad antes de utilizar este producto.

PRECAUCIONES DE SEGURIDAD

La electricidad se emplea para muchas funciones útiles pero también puede causar lesiones personales y daños en la propiedad si se manipula de forma inadecuada. Este producto se ha diseñado y fabricado poniendo el máximo énfasis en la seguridad. No obstante, el uso inadecuado podría tener como resultado descargas eléctricas y/o incendios. Para evitar peligros potenciales, observe las siguientes instrucciones cuando instale, utilice y limpie el producto. Para garantizar su seguridad y prolongar la vida de servicio de su producto de LCD, lea atentamente las siguientes precauciones antes de usar el producto.

1. Lea las instrucciones — Todas las instrucciones operativas deberán leerse y comprenderse antes de utilizar el producto.
2. Mantenga este manual en un lugar seguro — Estas instrucciones de seguridad y operativas deberán guardarse en un lugar seguro para referencia en el futuro.
3. Tenga en cuenta las advertencias — Todas las advertencias e instrucciones del producto deberán observarse estrictamente.
4. Respete las instrucciones — Deberán respetarse todas las instrucciones operativas.
5. Limpieza — Desenchufe el cable de alimentación de la toma de corriente antes de limpiar el producto. Utilice un paño seco para limpiar el producto. No emplee limpiadores líquidos ni aerosoles. No utilice paños sucios. Si lo hace puede dañar el producto.
6. Accesorios — No utilice accesorios no recomendados por el fabricante. El empleo de accesorios inadecuados podría provocar accidentes.
7. Agua y humedad — No utilice el producto cerca del agua. No instale este producto en lugares donde puedan producirse salpicaduras de agua. Preste especial atención a equipos que drenen agua, por ejemplo los de aire acondicionado.
8. Ventilación — Los respiraderos y otras ranuras de la caja están diseñados para ventilación. No cubra ni bloquee dichos respiraderos y ranuras, ya que la ventilación insuficiente podría provocar sobrecalentamiento y/o acortar la vida operativa del producto. No coloque el producto sobre un sofá, una alfombra u otras superficies similares ya que se podrían bloquear las ranuras de ventilación. No coloque el producto en un lugar cerrado como, por ejemplo, una librería o una estantería, a menos que se proporcione una ventilación adecuada o se respeten las instrucciones del fabricante.
9. Protección del cable de alimentación — Los cables de alimentación deberán ubicarse adecuadamente para evitar que las personas puedan tropezar con ellos o que los objetos puedan descansar sobre éstos.
10. La pantalla usada en este producto está hecha de vidrio. Consiguientemente, podría romperse si el producto cae al suelo o recibe un golpe. Tenga cuidado de no herirse con pedazos de vidrio roto en caso que se rompa la pantalla.
11. Sobrecarga — No sobrecargue las tomas de corriente ni los cables alargadores o regletas. La sobrecarga podría provocar incendios o descargas eléctricas.
12. Introducción de objetos y líquidos — No inserte nunca objetos en el producto a través de los respiraderos o las ranuras de ventilación. El producto tiene altas tensiones en su interior y la inserción de objetos podría provocar descargas eléctricas y/o cortocircuitar los componentes internos.
Por la misma razón, no derrame agua o líquidos sobre el producto.
13. Servicio — No intente reparar usted mismo el producto. La retirada de las tapas podría exponerle a alto voltaje y otras circunstancias peligrosas. Solicite cualquier reparación a un técnico de servicio calificado.
14. Reparación — Si se produjera cualquiera de las circunstancias siguientes, desenchufe el cable de alimentación de la toma de corriente y solicite la reparación a un técnico de servicio calificado.
 - a. Cuando el cable de alimentación o el enchufe esté dañado.
 - b. Cuando se haya derramado un líquido sobre el producto o hayan caído objetos al interior del producto.
 - c. Cuando se haya expuesto el producto a la lluvia o al agua.
 - d. Cuando el producto no funcione correctamente según lo descrito en las instrucciones operativas. No toque ningún control aparte de los descritos en las instrucciones de uso. El ajuste inadecuado de controles no descritos en las instrucciones podría provocar daños, lo que a menudo requiere un trabajo importante de ajuste por parte de un técnico calificado.
 - e. Cuando el producto haya caído al suelo o se haya dañado.
 - f. Cuando el producto presente un estado anormal. Cualquier anomalía perceptible en el producto indicará que éste necesita servicio.
15. Repuestos — En caso de que el producto necesite repuestos, asegúrese de que el técnico de servicio utiliza las piezas de sustitución especificadas por el fabricante, o unas con las mismas características y rendimiento que las piezas originales. El uso de piezas no autorizadas podría tener como resultado incendio, descargas eléctricas y/u otros daños.
16. Comprobaciones de seguridad — Tras la finalización del trabajo de servicio o reparación, solicite al técnico de servicio que lleve a cabo comprobaciones de seguridad para asegurarse de que el producto se encuentra en perfectas condiciones de funcionamiento.
17. Montaje mural — Cuando monte el producto sobre una pared, asegúrese de instalarlo de acuerdo con el método recomendado por el fabricante.
18. Fuentes de calor — Mantenga el producto alejado de fuentes de calor como pueden ser radiadores, calentadores, estufas y otros productos que generen calor (incluyendo amplificadores).
19. Pilas — El uso incorrecto de las pilas podría causar la explosión o ignición de las mismas. Las fugas de las pilas pueden oxidar el equipo y ensuciarle las manos o la ropa. Para evitar estos problemas, asegúrese de observar las siguientes precauciones:
 - Utilice únicamente las pilas especificadas.
 - Instale las pilas con la polaridad apropiada de las mismas (+) y (-) de acuerdo con las indicaciones del compartimento.
 - No mezcle pilas viejas y nuevas.
 - No mezcle pilas de distintos tipos. Las especificaciones de voltaje de pilas con la misma forma pueden variar.





- Sustituya las pilas gastadas por unas nuevas a la mayor brevedad.
 - Extraiga las pilas si no piensa utilizar el control remoto durante un período de tiempo prolongado.
 - Si el líquido de pilas con fugas entrara en contacto con la piel o la ropa, lave inmediatamente con agua abundante. Si le entrara en los ojos, láveselos abundantemente sin frotar y acuda inmediatamente al médico. El contacto de líquido de las pilas con los ojos o la ropa podría causar irritación de la piel o daños oculares.
 - Deseche correctamente las baterías agotadas. Si desecha una batería en el agua, en el fuego o en un horno caliente, o si la aplasta, corta o modifica mecánicamente, puede producirse una explosión.
 - No cortocircuite las baterías.
20. El monitor no deberá utilizarse en lugares con riesgos o peligros fatales que pudieran provocar directamente la muerte, lesiones personales, daños físicos graves u otras pérdidas, incluyendo control de reacción nuclear en instalaciones nucleares, sistemas médicos de soporte vital y control de lanzamiento de misiles en sistemas armamentísticos.
21. No permanezca en contacto durante períodos prolongados de tiempo con componentes del producto que se recalienten. Podrían producirse quemaduras de baja temperatura.
22. No modifique este producto.

ADVERTENCIA:

Un dispositivo de fabricación CLASE I deberá conectarse a una toma de corriente principal con una unión a tierra.

RIESGO DE ESTABILIDAD

Si el monitor no se coloca en una ubicación lo suficientemente estable, podría resultar potencialmente peligroso debido al riesgo de caída. Muchas lesiones, especialmente a los niños, pueden evitarse adoptando precauciones sencillas como pueden ser:

- Utilizar dispositivos de fijación como pueden ser soportes de montaje mural recomendados por el fabricante.
- Emplear únicamente muebles que puedan soportar de forma segura el monitor.
- Asegurarse de que el monitor no sobresale del borde del mueble que sirve de apoyo.
- No colocar el monitor sobre muebles altos (por ejemplo, armarios o librerías) sin anclar el mueble y el monitor a un soporte adecuado.
- No colocar los monitores sobre paños u otros materiales ubicados entre el monitor y el mueble de apoyo.
- Educar a los niños sobre los peligros de trepar a los muebles para llegar al monitor o a sus controles.
- Este equipo no es adecuado para su uso en lugares en los que sea probable que los niños puedan estar sin la supervisión de un adulto.

Especialmente para la seguridad de los niños

- No permita que los niños trepen al monitor o jueguen con éste.
- No coloque el monitor sobre muebles que se puedan usar como peldaños, como pueden ser los cajones de una cómoda.
- Recuerde que los niños se pueden agitar mientras ven un programa, especialmente en un monitor en el que las cosas se ven "más grandes que en la vida real". Deberá tenerse cuidado de colocar o instalar el monitor en lugares en los que no se pueda empujar, mover o tirar al suelo.
- Deberá procurarse enrutar todos los cables conectados al monitor de modo que los niños curiosos no puedan tirar de ellos ni agarrarlos.

INSTRUCCIONES DE SEGURIDAD


- No emplee el monitor en lugares con un nivel elevado de polvo o humedad ni donde éste pueda entrar en contacto con aceite o vapor. Tampoco lo utilice en un entorno en el que haya gases corrosivos (dióxido de azufre, sulfuro de hidrógeno, dióxido de nitrógeno, cloro, amoníaco, ozono, etc.), ya que esto podría provocar un incendio.
- Asegúrese de que el monitor no entre en contacto con agua ni otros líquidos. Asegúrese de no introducir en el monitor objetos como pueden ser clips o chinchetas, ya que esto podría causar incendios o descargas eléctricas.
- No coloque el monitor encima de objetos inestables ni en lugares inseguros. No permita que el monitor reciba golpes fuertes ni que vibre demasiado. La caída o pérdida de equilibrio del monitor podría dañarlo.
- No utilice el monitor cerca de aparatos de calefacción ni en lugares donde puedan existir temperaturas elevadas, ya que esto podría conducir a la generación de calor excesivo y provocar un incendio.
- No utilice el monitor en lugares en los que pueda estar expuesto a la luz solar directa. Existe riesgo de que la caja se deforme o de que se produzca un fallo de funcionamiento si se utiliza el monitor bajo la luz solar directa.
- Asegúrese de limpiar periódicamente el polvo y la suciedad adheridos a los respiraderos. Si se acumulara polvo en los respiraderos o en el interior del monitor, podría producirse calentamiento excesivo, un incendio o fallos de funcionamiento. Solicite la limpieza del interior del monitor a un distribuidor o servicio técnico autorizado de SHARP.
- La toma de corriente deberá estar instalada cerca del equipo y ser accesible fácilmente.
- No use la pantalla con un objeto puntiagudo o duro como una uña o lápiz.
- Adecuado para fines de entretenimiento en entornos con luminosidad controlada, para evitar reflejos molestos de la pantalla.

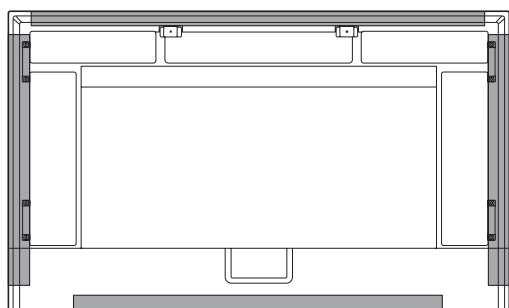
Cable de alimentación

- Emplee únicamente el cable de alimentación suministrado con el monitor.
- No dañe el cable de alimentación ni coloque objetos pesados sobre el mismo. No lo estire ni lo doble excesivamente. Tampoco añada cables alargadores ni regletas. Si el cable se daña, podrían producirse incendios o descargas eléctricas.
- No utilice el cable de alimentación con una regleta. La adición de un cable alargador o una regleta podría causar un incendio por sobrecalentamiento.
- No retire ni inserte el enchufe con las manos mojadas. Podrían producirse descargas eléctricas.
- Desenchufe el cable de alimentación si no piensa utilizar el equipo durante un período de tiempo prolongado.
- No intente reparar el cable de alimentación si éste está roto o no funciona adecuadamente. Solicite cualquier reparación al representante de servicio técnico autorizado.
- Este monitor está diseñado para su uso con el cable alimentación conectado a tierra. Si el cable de alimentación no está conectado a tierra, puede producirse una descarga eléctrica. Asegúrese de que el cable de alimentación esté conectado a la toma de corriente de la pared directamente y correctamente conectado a tierra. No utilice un adaptador conversor con enchufe de 2 clavijas.
- No toque el enchufe de alimentación si ha oído un trueno. Si lo hace, puede sufrir una descarga eléctrica.
- No exceda el voltaje de alimentación eléctrica especificado para producto allí donde lo instale. Si lo hace, puede producirse un incendio o una descarga eléctrica. Consulte la información sobre el voltaje de alimentación eléctrica en las especificaciones.



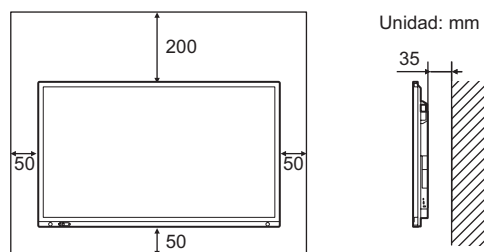
PRECAUCIONES DE MONTAJE

- Para los distribuidores o técnicos de servicio de SHARP, confirme las "Precauciones de montaje (para distribuidores y técnicos de servicio de SHARP)". (Véase la página 10.)
- Este producto es para uso en interiores.
- Se requiere un soporte de montaje en conformidad con las especificaciones VESA.
- Este monitor es pesado. Por consiguiente, consulte a su distribuidor antes de instalar, desinstalar o trasladar el monitor.
- El montaje mural del monitor requiere un soporte especial y el trabajo deberá ser efectuado por un distribuidor autorizado. Nunca deberá intentar realizar este trabajo usted mismo. Nuestra empresa no se hace responsable en caso de accidentes o lesiones causados por un montaje o una manipulación inadecuados.
- Utilice el monitor perpendicular a una superficie nivelada. Si fuera necesario, el monitor podrá inclinarse un máximo de 20 grados hacia arriba.
- Al mover el monitor, asegúrese de sujetar las asas o las partes marcadas con  más abajo. No agarre la pantalla. Esto puede provocar daños en el producto, fallos o lesiones.

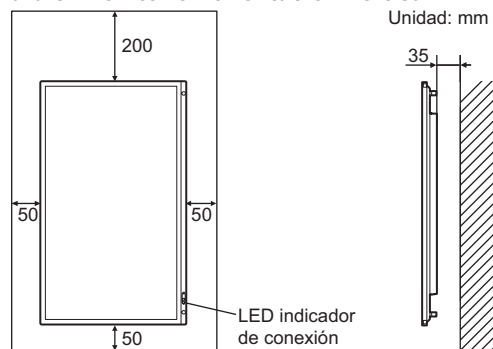


- Este monitor deberá utilizarse a una temperatura ambiente de entre 5°C y 35°C. Proporcione espacio suficiente alrededor del monitor para evitar que el calor se acumule en su interior.

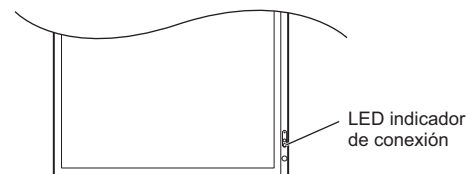
Para el monitor en orientación horizontal



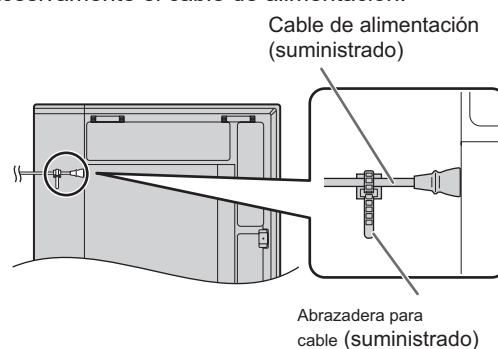
Para el monitor en orientación vertical



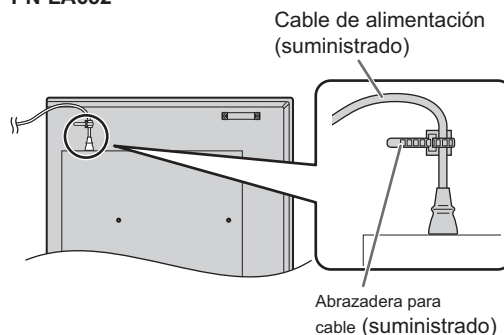
- Evite altas temperaturas en el área circundante. Si resultase difícil dejar un espacio suficiente por algún motivo como, por ejemplo, la instalación del monitor dentro de una carcasa o la instalación de varias unidades una al lado de la otra, o si la temperatura ambiente estuviese fuera del rango de entre 5°C y 35°C, instale un ventilador o adopte otras medidas para mantener la temperatura ambiente dentro del rango requerido.
- Las condiciones de temperatura podrían cambiar al utilizar el monitor conjuntamente con los equipos opcionales recomendados por SHARP. En dichos casos, compruebe las condiciones de temperatura especificadas por los equipos opcionales.
- No bloquee ninguna ranura de ventilación. Si la temperatura del interior del monitor aumentara, podrían producirse malfuncionamientos.
- No coloque el monitor sobre un dispositivo que genere calor.
- No use el producto en lugares donde la unidad quede expuesta a los rayos directos del sol u otras luces fuertes. Debido a que este producto funciona mediante rayos infrarrojos, esa luz puede provocar mal funcionamiento.
- Cuando utilice varios monitores de cerca, asegúrese de que el transmisor/receptor de infrarrojos no afecta a las otras.
- Respete lo siguiente cuando instale el monitor en orientación vertical. El incumplimiento de las siguientes medidas podría provocar malfuncionamientos.
 - Instale el monitor de modo que el LED indicador de conexión quede ubicado en la parte inferior.



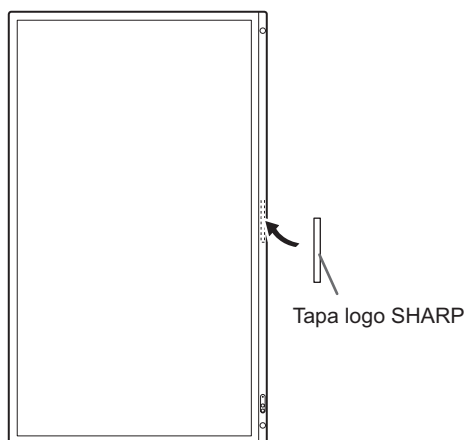
- Establezca la opción "INST. MODO VERTIC./HORIZ." del menú ADMIN en "MODO VERTICAL". (Véase el MANUAL DE INSTRUCCIONES.)
- Asegúrese de apretar el cable de alimentación (suministrado) en el acoplamiento de abrazadera para cable de usando la abrazadera para cable suministrado. Cuando apriete el cable de alimentación, tenga cuidado de dañar el terminal del cable de alimentación. No doble excesivamente el cable de alimentación.



PN-LA652

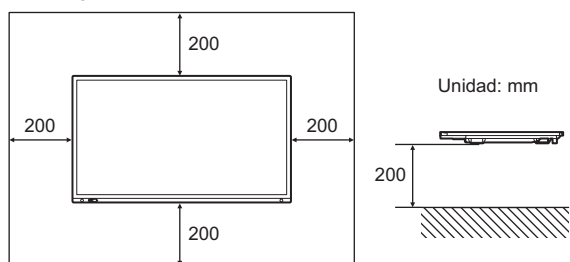


- Utilice la tapa logo SHARP de la cubierta cuando instale el monitor en orientación vertical.



Instalación plana

- Si utiliza el monitor extendido sobre una superficie plana (cuando el monitor está inclinado más de 20 grados hacia arriba desde la perpendicular en relación a una superficie nivelada), consulta a un distribuidor autorizado, ya que existen condiciones específicas de montaje. Observe las siguientes indicaciones. La inobservancia de las siguientes indicaciones puede causar fallos de funcionamiento.
 - Ajuste "INSTALAR MODO HORIZONTAL" en el menú ADMIN a "ASCENDENTE". (Véase el MANUAL DE INSTRUCCIONES.)
 - Utilice el monitor a temperatura ambiente de entre 5°C y 30°C. Deje un espacio de 200 mm o más entre el monitor y el techo u otras superficies de montaje y los objetos circundantes para evitar que el calor se acumule en el interior. Si resultase difícil dejar un espacio suficiente o si la temperatura ambiente estuviese fuera del rango de entre 5°C y 30°C, instale un ventilador o adopte otras medidas para mantener la temperatura ambiente dentro del rango requerido.

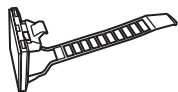


- No presione con fuerza el panel LCD ni lo someta a ningún golpe.

Componentes suministrados

Si falta algunos componentes, póngase en contacto con su distribuidor.

- Pantalla interactiva: 1
- Control remoto: 1
- Abrazadera para cable: 3



- Cable de alimentación
- Pila del control remoto : 2

- Manual de Instalación (este manual): 1
- Lápiz táctil: 2
- Soporte para cámara (pequeño) : 1
- Tornillo para cámara (rosca en pulgadas): 1
- Soporte para cámara (grande): 1
- Cable USB: 1

- Tapa logo SHARP: 1
Coloque esta etiqueta sobre el logotipo de SHARP para tapar el logotipo.
- Tornillo de soporte para cámara (M3x8): 2
- Tornillo de soporte para cámara (M3x12): 2

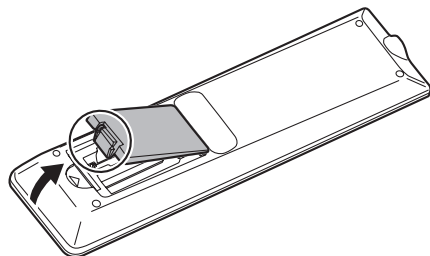
Sólo PN-LA862/PN-LA752

- Soporte para reproductor: 1
- Tornillo de soporte para reproductor (M4x6): 2

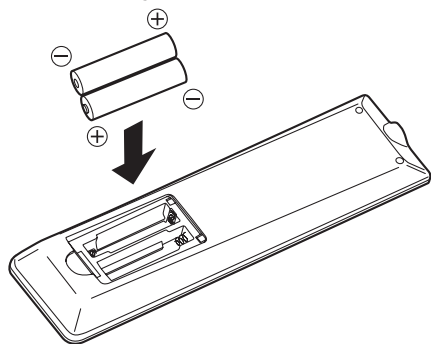
* **Tenga cuidado:** No vierta las pilas en la basura doméstica para protección medioambiental. Respete la normativa de vertido local.

Preparación de la Unidad de control remoto y el Lápiz táctil

1. Coloque el dedo en la pieza marcada con ▲, luego separe la tapa.



2. Consulte las indicaciones del compartimento y coloque las pilas suministradas (R03 o LR03 (tamaño "AAA") x 2) con la polaridad (+) y (-) correcta.



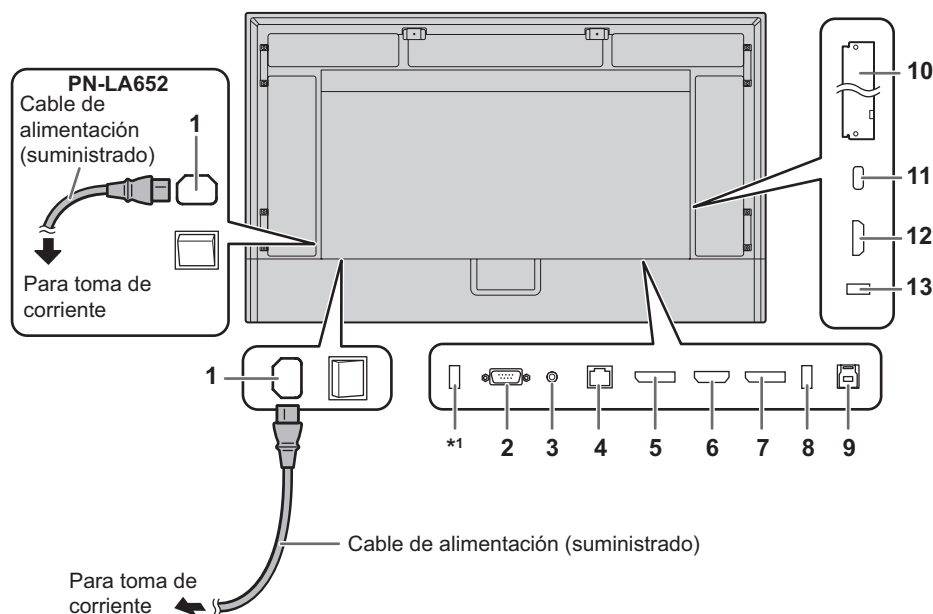
3. Cierre la tapa.

Conexiones

!Precaución

- Asegúrese de apagar el interruptor principal y desconectar el enchufe de la toma de corriente antes de conectar/desconectar los cables. Asimismo, lea el manual del equipo que desea conectar.
- Tenga cuidado de no confundir el terminal de entrada con el terminal de salida al conectar los cables. La inversión accidental de los cables conectados a los terminales de entrada y salida podría causar malfuncionamientos y otros problemas.
- Al conectar el cable de alimentación al terminal de entrada de CA del producto, asegúrese de que el conector esté total y firmemente insertado.

■Vista posterior



- | | |
|---|--|
| 1. Terminal de entrada de corriente | 8. Puerto USB 2 (compatible con USB3.0, tipo A) |
| 2. Terminal de entrada RS-232C | 9. Terminal TOUCH PANEL* ² (para panel sensible al tacto)
(para HDMI1/HDMI2/DisplayPort) |
| 3. Terminal de salida de audio | 10. Ranura de placa opcional |
| 4. Terminal de LAN | 11. Puerto USB tipo C* ² |
| 5. Terminal de salida DisplayPort | 12. Terminal de entrada HDMI1 |
| 6. Terminal de entrada HDMI2 (compatible con ARC) | 13. Puerto USB 1 (compatible con USB3.0, tipo A) |
| 7. Terminal de entrada DisplayPort | |

*1 Este puerto es para "CONFIGURACIÓN DE CLON" y futuras actualizaciones de software.

Importa o exporta la configuración del monitor a través del dispositivo de unidad flash USB cuando se selecciona "CONFIGURACIÓN DE CLON". (Véase el MANUAL DE INSTRUCCIONES.)

*2 Ajuste de fábrica. Puede ajustar el terminal que se utilizará en cada modo de entrada con "SELECCIÓN ENTRADA TÁCTIL".

CONSEJOS

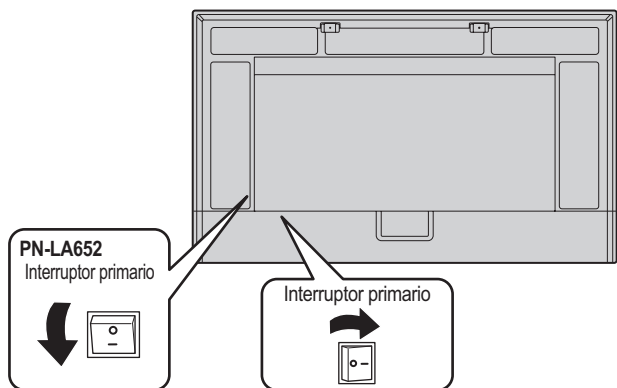
- Information Display Downloader también se puede descargar desde el siguiente sitio web.
<https://business.sharppusa.com/product-downloads> (EE. UU.)
<https://www.sharp.eu/download-centre> (Europa/Asia/Pacífico)
Si está instalada la Information Display Downloader, podrá consultar y descargar las versiones más recientes de los programas de software y el firmware más reciente.
Para instalar el software, consulte el manual correspondiente.
Programa de instalación de Pen Software y programa de instalación de Touch Viewing Software/Touch Viewer, el firmware más reciente se puede descargar mediante la Information Display Downloader.

Encendido/apagado

!Precaución

- Encienda el monitor antes de encender el ordenador o el dispositivo de reproducción.
- Cuando apague el interruptor primario o el botón POWER y lo vuelva a encender, espere siempre 5 segundos como mínimo. Un intervalo demasiado corto podría provocar malfuncionamientos.

Encendido de la alimentación principal



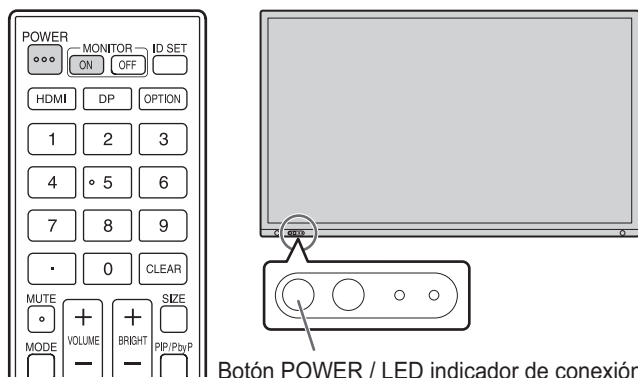
Modo desactivado, cuando la alimentación principal está apagada.

!Precaución

- La alimentación principal deberá encenderse/apagarse con el interruptor primario. No conecte/desconecte el cable de alimentación ni active/desactive el disyuntor mientras el interruptor primario está encendido.
- Para la desconexión eléctrica completa, desconecte el enchufe principal.

Encendido

1. Pulse el botón POWER o el botón MONITOR ON para encender.



Botón POWER / LED indicador de conexión

Estado	Estado del monitor
Parpadeo en naranja/azul	Durante el encendido
Encendido en azul	Alimentación encendida
Encendido en naranja	Alimentación apagada (Estado en espera)*1
Parpadeo en azul	Estado de espera de señal de entrada*2

*1 El modo de espera cuando "MODO AHORRO DE ENERGÍA" está ajustado en "SÍ" y "PUERTO LAN" y "SENSOR DE MOVIMIENTO" está ajustado en "NO".

El modo preparado en red cuando "MODO AHORRO DE ENERGÍA" y "PUERTO LAN" están ajustados en "SÍ" y "SENSOR DE MOVIMIENTO" está ajustado en "NO".
El modo preparado en red permite encender el monitor a través de red (LAN, RS-232C y HDMI CEC).

*2 Cuando "MODO AHORRO DE ENERGÍA" está ajustado en "OFF" y "CONTROL DE ENERGÍA" está ajustado en "SÍ", cambia al estado de espera de señal de entrada cuando no se detecta ninguna señal.

CONSEJOS

- Cuando el interruptor primario está apagado, el monitor no funcionará.
- Cuando el monitor está en estado de espera de señal de entrada y se pulsa el botón POWER o el botón MONITOR ON, el monitor se enciende.
- Cuando el monitor está en estado de espera de señal de entrada y se pulsa el botón MONITOR OFF, el monitor se apaga.
- Para desactivar la presentación de la pantalla del logotipo en el encendido, establezca "PANTALLA DE LOGOTIPO" en "SISTEMA" en "NO" en el menú ADMIN. (Véase el MANUAL DE INSTRUCCIONES.)
- Puede establecer el modo de entrada que aparecerá tras el arranque. Establezca "INICIAR MODO DE ENTRADA" en "AJUSTES DE ENTRADA" en el menú ADMIN.
- Al iniciar la placa opcional, cambie "ENTRADA MODO" por "OPCIONES".
- Cuando utilice la placa opcional por primera vez, se ejecutará la instalación de la placa opcional. No apague el interruptor principal de alimentación mientras se esté ejecutando la instalación.

■ Operaciones después del primer encendido

Al encender la alimentación por primera vez, aparecerá la pantalla de ajuste de idiomas, comunicación, fecha y hora, etc. Utilice los botones ▲, ▼, ◀, ▶ del Control remoto para realizar los ajustes.

Aparece la pantalla "IDIOMA".

1. Después de ajustar "IDIOMA", seleccione "SIGUIENTE" y pulse el botón ENTER en el Control remoto. Aparece la pantalla "AJUSTE COMUNICACIÓN".
2. Después de ajustar "AJUSTE COMUNICACIÓN", seleccione "SIGUIENTE" y pulse el botón ENTER en el Control remoto. Aparece la pantalla "AJUSTE FECHA/HORA".
3. Después de ajustar "AJUSTE FECHA/HORA", seleccione "SIGUIENTE" y pulse el botón ENTER en el Control remoto. Aparece la pantalla "FUNCIÓN DE CONTROL".
4. Después de ajustar "FUNCIÓN DE CONTROL", seleccione "SIGUIENTE" y pulse el botón ENTER en el Control remoto. Aparece la pantalla "CONFIGURACIÓN DE LA SALA DE CONFERENCIAS".
5. Después de ajustar "CONFIGURACIÓN DE LA SALA DE CONFERENCIAS", seleccione "FINISH" y pulse el botón ENTER en el Control remoto.

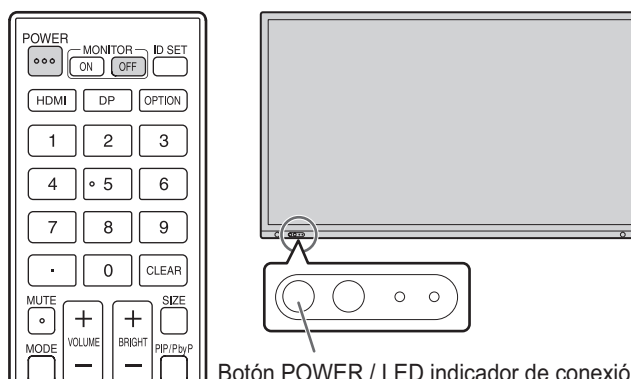
Los siguientes ajustes son los recomendados y se ajusta a la "Configuración Normal" según se define en el Reglamento EcoDesign (2019/2021).

- MODO AHORRO DE ENERGÍA: SÍ
- PUERTO LAN: NO
- SENSOR DE MOVIMIENTO: NO

Apagado

Cuando utilice el SDM, consulte el manual de funcionamiento.

1. Pulse el botón POWER o el botón MONITOR OFF. Alimentación apagada. (Estado en espera)



Botón POWER / LED indicador de conexión

Especificaciones

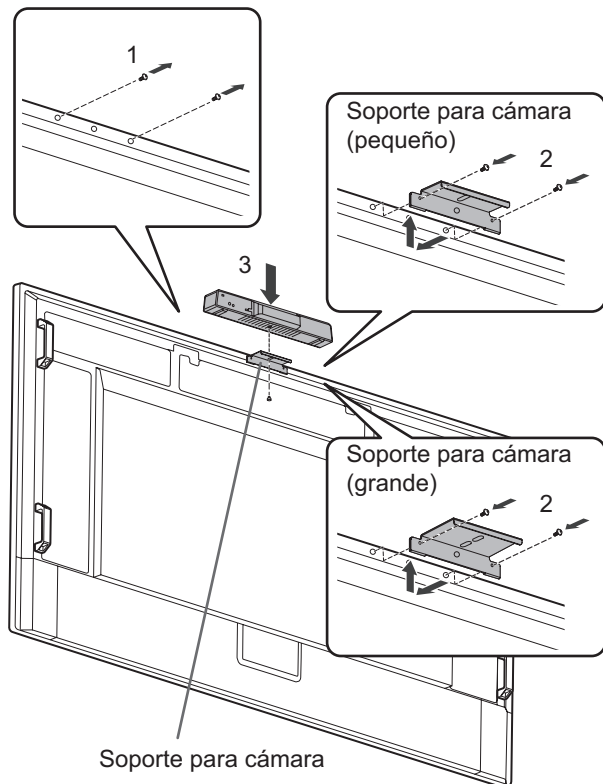
Modelo	PN-LA862	PN-LA752	PN-LA652
Requisitos de alimentación	100 V - 240 V ca, 4,9 A-1,9 A, 50/60 Hz	100 V - 240 V ca, 4,1 A-1,6 A, 50/60 Hz	100 V - 240 V ca, 3,9 A-1,5 A, 50/60 Hz
Temperatura de funcionamiento *1	5°C a 35°C		
Humedad de funcionamiento	20% al 80% (sin condensación)		
Temperatura de almacenamiento	-20°C a 60°C		
Humedad de almacenamiento	10% al 80% (sin condensación)		
Consumo de energía *2 (MÁXIMO)	275 W (440 W)	205 W (360 W)	190 W (350 W)
Dimensiones (mm) (excluidas las protuberancias)	Aprox. 1965,4 (An) x 86,5 (Pr) x 1163,9 (Al)	Aprox. 1720,1 (An) x 86,5 (Pr) x 1025,9 (Al)	Aprox. 1493,5 (An) x 90,7 (Pr) x 896,1 (Al)
Peso (kg)	Aprox. 71,5	Aprox. 56,5	Aprox. 49

- *1 Si utiliza el monitor extendido sobre una superficie plana (cuando el monitor está inclinado más de 20 grados hacia arriba desde la perpendicular en relación a una superficie nivelada), utilice el monitor a una temperatura ambiente de entre 5°C y 30°C. Las condiciones de temperatura podrían cambiar al utilizar el monitor conjuntamente con los equipos opcionales recomendados por SHARP. En dichos casos, compruebe las condiciones de temperatura especificadas por los equipos opcionales.
- *2 Ajuste de fábrica. (Cuando no está conectado ningún componente opcional.)

Como parte de la política de mejoras continuas, SHARP se reserva el derecho de realizar cambios en el diseño y especificaciones para la mejora del producto sin previo aviso. Las figuras indicadas que especifican el rendimiento son valores nominales de los aparatos de producción. Puede haber algunas desviaciones de estos valores en los aparatos individuales.

ESPAÑOL

Montaje de una cámara web



Es posible montar la barra de sonido para videoconferencia PN-ZCMS1 (opcional) o una cámara web disponible en el mercado (1,1 kg o menos) con el soporte para cámara (pequeño) (suministrado).

1. Retire el tornillo de este monitor.
2. PN-LA862/PN-LA752:

Instale el soporte para cámara (pequeño) (suministrado) con el tornillo de soporte para cámara (M3x12) (x2) (suministrado).

PN-LA652:

Instale el soporte para cámara (pequeño) (suministrado) con el tornillo de soporte para cámara (M3x8) (x2) (suministrado).

Los tornillos de soporte para cámara son diferentes según el monitor.

3. Instale el PN-ZCMS1 (opcional) en el soporte para cámara con el tornillo para cámara (rosca en pulgadas) (x1) (suministrado).

Es posible montar la nuestra cámara web recomendada con el soporte para cámara (grande) (suministrado). Póngase en contacto con el distribuidor para informarse sobre nuestra cámara web recomendada.

1. Retire el tornillo de este monitor.
2. PN-LA862/PN-LA752:

Instale el soporte para cámara (grande) (suministrado) con el tornillo de soporte para cámara (M3x12) (x2) (suministrado).

PN-LA652:

Instale el soporte para cámara (grande) (suministrado) con el tornillo de soporte para cámara (M3x8) (x2) (suministrado).

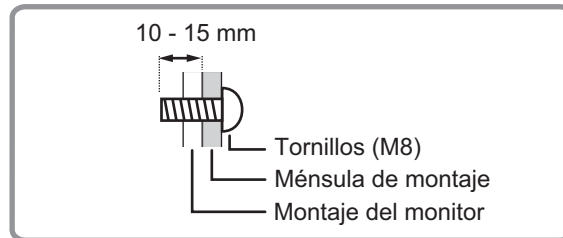
Los tornillos de soporte para cámara son diferentes según el monitor.


TIPS

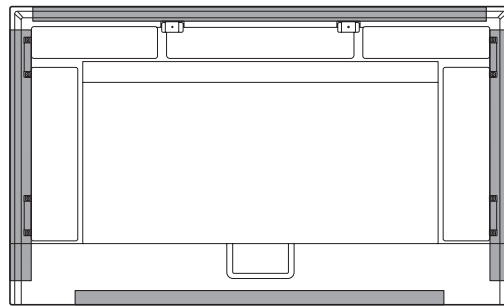
- Para las instrucciones de montaje de la cámara web (opcional), consulte el manual de instrucciones de la cámara web.

Precauciones de montaje (para distribuidores y técnicos de servicio de SHARP)

- Cuando instale, desinstale o traslade el monitor, asegúrese de sujetarlo entre 4 personas como mínimo. (PN-LA652: 3 personas como mínimo.)
- Asegúrese de utilizar un soporte de montaje mural diseñado para la instalación del monitor.
- Este monitor está diseñado para su instalación sobre un muro o pilar de hormigón. Tal vez resulte necesario realizar un trabajo de refuerzo para ciertos materiales como pueden ser yeso, paneles de plástico finos o madera antes de iniciar la instalación.
- Este monitor y el soporte deberán instalarse en una pared con una resistencia de al menos 4 veces el peso del monitor. Realice la instalación mediante el método más adecuado para el material y la estructura.
- Para colocar una ménsula de montaje compatible con VESA, use tornillos M8 que sean 10 mm a 15 mm más largos que la ménsula de montaje.



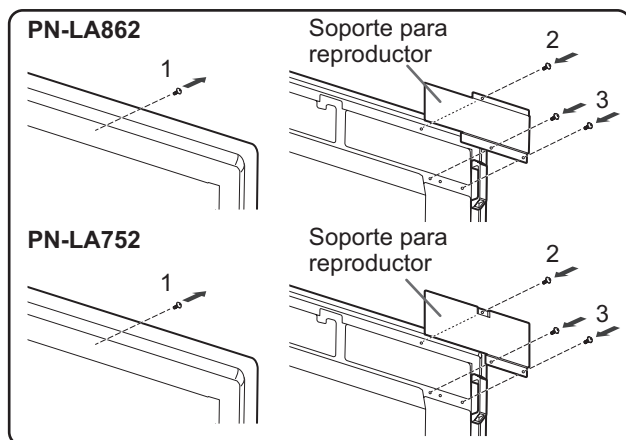
- No utilice un destornillador de impacto.
- Al mover el monitor, asegúrese de sujetar las asas o las partes marcadas con  más abajo. No agarre la pantalla. Esto puede provocar daños en el producto, fallos o lesiones.



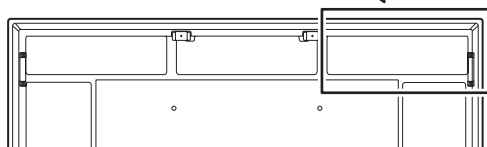
- Una vez efectuado el montaje, asegúrese de que el monitor está instalado de forma segura y que no se puede aflojar de la pared o el soporte.
- No utilice orificios de tornillos que no sean orificios de tornillos para soportes de montaje, que se ubican en la parte trasera del monitor para la instalación.
- Si necesita colocar el monitor provisionalmente sobre una mesa u otra superficie durante la instalación, coloque un paño suave y grueso sobre la mesa para evitar dañar la pantalla y la mesa.
- Si utiliza el monitor extendido sobre una superficie plana (cuando el monitor está inclinado más de 20 grados hacia arriba desde la perpendicular en relación a una superficie nivelada), consulta a un distribuidor autorizado, ya que existen condiciones específicas de montaje.

■ Coloque del soporte para reproductor (PN-LA862/PN-LA752)

Coloque el soporte para reproductor cuando desee instalar un controlador opcional.



1. Retire el tornillo de este monitor.
2. Instale el soporte para reproductor con los tornillos retirados de este monitor.
3. Instale el soporte del reproductor con el tornillo de montaje del reproductor (M4x6) (suministrado) (x2).



■ Instalación de la placa opcional

Puede instalar la placa opcional compatible con las especificaciones de Intel Smart Display Module Small (Intel SDM-S) y de Intel Smart Display Module Large (Intel SDM-L).

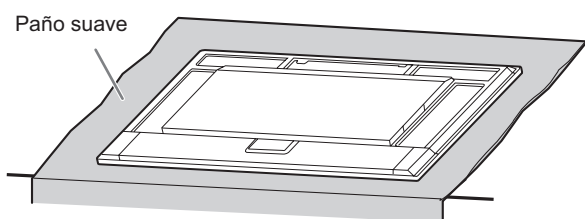
! Precaución

- Si hay cables ya conectados, desconéctelos todos.

CONSEJOS

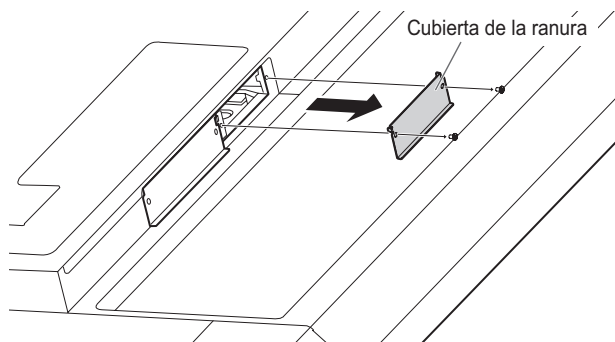
- Póngase en contacto con el distribuidor para información sobre las placas opcionales compatibles.

1. Extienda un paño grueso y suave (una manta, etc.) para evitar dañar el panel LCD situado sobre una superficie plana y estable donde pueda ubicar todo el monitor, y sitúe el monitor con el panel LCD boca abajo sobre el paño.

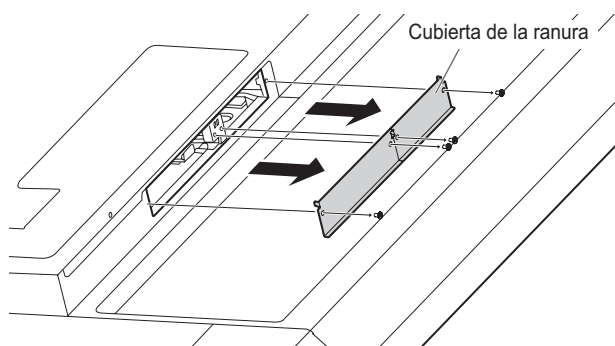


2. Retire los tornillos (x2), y después retire la cubierta de la ranura.

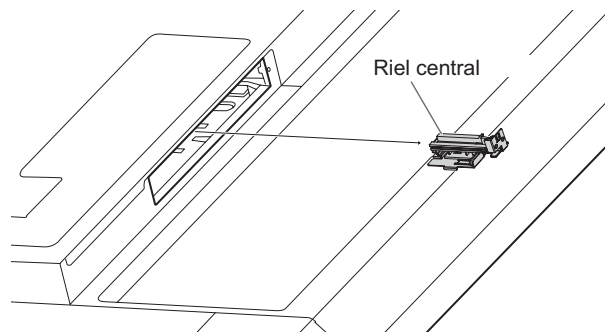
Intel SDM-S:



Intel SDM-L:

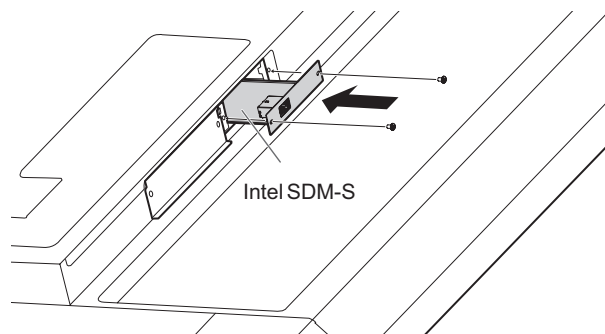


En el caso del Intel SDM-L, retire el riel central antes de colocar la placa opcional.

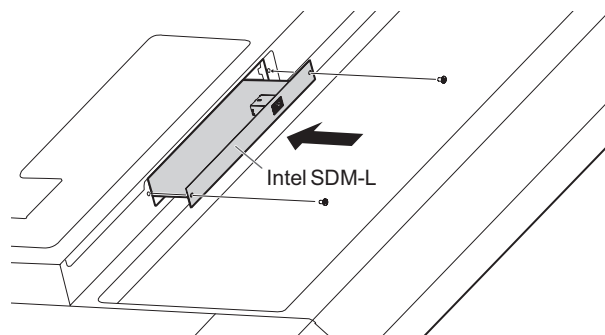


3. Instale la placa opcional con los tornillos que había retirado en el paso 2. (Fuerza de apriete recomendada: 50~80 N·cm)

Intel SDM-S:



Intel SDM-L:



■ Desinstalación de la placa opcional

Proceda en el orden inverso al de la instalación.

! Precaución

- Asegúrese de que la placa opcional esté insertada en la ranura con la orientación correcta.
- No aplique demasiada fuerza para manipular la placa opcional antes de instalarla con los tornillos.
- Asegúrese de que la placa opcional esté bien fijada con los tornillos originales para evitar que la placa opcional se caiga del producto. Si se cae la placa opcional, puede existir peligro.

Marcas comerciales y licencias del software

- Los términos HDMI, HDMI High-Definition Multimedia Interface (Interfaz multimedia de alta definición), HDMI Trade Dress (diseño e imagen comercial HDMI) y los logotipos HDMI son marcas comerciales o marcas registradas de HDMI Licensing Administrator, Inc.
- DisplayPort es una marca registrada de Video Electronics Standards Association.
- Adobe, Acrobat, y Acrobat Reader son marcas registradas o marcas comerciales de Adobe en los Estados Unidos de América y/u otros países.
- VESA es una marca registrada o una marca comercial de Video Electronics Standards Association en los Estados Unidos de América y/u otros países.
- FlatFrog y InGlass son marcas comerciales de FlatFrog Laboratories AB registradas en los Estados Unidos de América y otras regiones.
- Intel es una marca comercial de Intel Corporation o de sus filiales.
- Todos los demás nombres de marcas y productos son marcas comerciales o marcas registradas de sus respectivos propietarios.

WICHTIGE INFORMATIONEN1	Anschlüsse7
VEREHRTE KUNDIN, VEREHRTER KUNDE2	Ein- und ausschalten8
SICHERHEITSVORKEHRUNGEN2	Technische Daten9
SICHERHEITSANLEITUNG3	Befestigen der Web-Kamera9
WICHTIGE HINWEISE ZUR BEFESTIGUNG4	Wichtige Hinweise zur Befestigung
Mitgelieferte Komponenten6	(Für SHARP-Händler und Servicetechniker) 10
Vorbereitung der Fernbedienung6	Warenzeichen & Softwarelizenzen 12

Bedienungsanleitungen können von der folgenden Website heruntergeladen werden:
<https://www.sharp.eu/download-centre>
 (Zum Öffnen der Dateien wird Adobe Acrobat Reader benötigt.)

WICHTIGE INFORMATIONEN

ACHTUNG: HALTEN SIE DAS GERÄT VON REGEN UND JEDLICHER ART VON FEUCHTIGKEIT FERN, UM DIE GEFAHR VON BRAND ODER STROMSCHLAG ZU VERRINGERN.



VORSICHT

**ELEKTROSCHOCK-
GEFAHR
NICHT ÖFFNEN**



VORSICHT: ABDECKUNG NICHT ENTFERNEN:
 GEFAHR VON ELEKTROSCHOCK.
 KEINE WARTUNGSTEILE IM INNEREN.
 SERVICEARBEITEN NUR VON
 QUALIFIZIERTEM FACHPERSONAL
 DURCHFÜHREN LASSEN.



Das Blitzsymbol innerhalb eines Dreiecks weist den Benutzer auf das Vorhandensein nicht isolierter "gefährlicher Spannung" im Geräteinneren hin, die ausreichend groß ist, um einen Elektroschock hervorzurufen.



Das Ausrufezeichen innerhalb eines Dreiecks weist den Benutzer auf wichtige Betriebs- und Wartungs- bzw. Serviceanweisungen in der Produktdokumentation hin.

Verwenden Sie EMV-gerechte, abgeschirmte Kabel, um die folgenden Anschlüsse zu verbinden: HDMI-Eingangsanschluss, DisplayPort-Eingangsanschluss, RS-232C-Eingangsanschluss, USB Buchse Typ C, TOUCH PANEL Anschluss und USB Buchse.

VEREHRTE KUNDIN, VEREHRTER KUNDE

Wir danken Ihnen für den Kauf eines SHARP LCD-Gerätes. Um Ihre Sicherheit sowie einen jahrelangen, störungsfreien Betrieb dieses Produkts zu gewährleisten, lesen Sie bitte den Abschnitt "Sicherheitsvorkehrungen" vor der Verwendung des Produkts durch.

SICHERHEITSVORKEHRUNGEN

Elektrizität erfüllt viele nützliche Aufgaben, kann aber auch Personen- und Sachschäden verursachen, wenn sie unsachgemäß gehandhabt wird. Dieses Produkt wurde mit Sicherheit als oberster Priorität konstruiert und hergestellt. Dennoch besteht bei unsachgemäßer Handhabung u.U. Stromschlag- und Brandgefahr. Um mögliche Gefahren zu vermeiden, befolgen Sie beim Aufstellen, Betreiben und Reinigen des Produkts bitte die nachstehenden Anleitungen. Lesen Sie im Interesse Ihrer eigenen Sicherheit sowie einer langen Lebensdauer des LCD-Gerätes zunächst die nachstehenden Hinweise durch, bevor Sie das Produkt in Verwendung nehmen.

1. Bedienungsanleitungen lesen — Nehmen Sie das Produkt erst in Betrieb, nachdem Sie alle diesbezüglichen Hinweise gelesen und verstanden haben.
2. Bedienungsanleitung aufbewahren — Diese Bedienungsanleitung mit den Sicherheits- und Bedienungshinweisen sollte aufbewahrt werden, damit Sie im Bedarfsfall jederzeit darauf zurückgreifen können.
3. Warnungen beachten — Alle Warnungen auf dem Gerät und in den Bedienungsanleitungen sind genauestens zu beachten.
4. Anleitungen befolgen — Alle Anleitungen zur Bedienung müssen befolgt werden.
5. Reinigung — Vor dem Reinigen des Produkts trennen Sie es bitte vom Stromnetz durch ziehen des Netzsteckers aus der Steckdose. Reinigen Sie das Gerät mit einem trockenen Tuch. Verwenden Sie keine flüssigen Reiniger oder Aerosol-Sprays. Verwenden Sie keine schmutzigen Tücher, da andernfalls das Produkt beschädigt werden kann.
6. Zusatzgeräte und Zubehör — Verwenden Sie ausschließlich vom Hersteller empfohlenes Zubehör. Bei Verwendung anderer Zusatzgeräte bzw. Zubehörteile besteht evtl. Unfallgefahr.
7. Wasser und Feuchtigkeit — Benutzen Sie das Gerät nicht in der Nähe von Wasser. Montieren Sie das Gerät unter keinen Umständen an einer Stelle, an der Wasser darauf tropfen kann. Achten Sie dabei besonders auf Geräte, aus denen zuweilen Wasser tropft, wie etwa Klimaanlage.
8. Belüftung — Die Belüftungsschlitze und andere Öffnungen im Gehäuse dienen der Belüftung des Geräts. Halten Sie diese Öffnungen unbedingt frei, da eine unzureichende Belüftung zu einer Überhitzung bzw. Verkürzung der Lebensdauer des Produkts führen kann. Stellen Sie das Gerät nicht auf ein Sofa, einen Lappen oder ähnliche Oberflächen, da die Belüftungsschlitze dadurch blockiert werden können. Stellen Sie das Gerät auch nicht in ein umschlossenes Gehäuse, wie z.B. in ein Bücherregal oder einen Schrank, sofern dort nicht für eine ausreichende Belüftung gesorgt ist oder die Anweisungen des Herstellers befolgt werden.
9. Netzkabel-Schutz — Die Netzkabel sind so zu verlegen, dass sie vor Tritten geschützt sind und keine schweren Objekte darauf abgestellt werden.
10. Der Bildschirm für dieses Gerät ist aus Glas hergestellt. Es kann daher brechen, wenn es zu Boden fällt oder einen Schlag oder Stoß erhält. Seien Sie vorsichtig, dass Sie sich bei einem Bruch des Bildschirms nicht an den Scherben verletzen.
11. Überlastung — Vermeiden Sie eine Überlastung von Steckdosen und Verlängerungskabeln. Bei Überlastung besteht Brand- und Stromschlaggefahr.
12. Eindringen von Gegenständen und Flüssigkeiten — Schieben Sie niemals irgendwelche Gegenstände durch die Gehäuseöffnungen in das Innere des Geräts. Im Produkt liegen hohe Spannungen vor. Durch das Einschieben von Gegenständen besteht Stromschlaggefahr bzw. die Gefahr von Kurzschlüssen zwischen den Bauteilen. Aus demselben Grunde dürfen auch keine Flüssigkeiten auf das Gerät verschüttet werden.
13. Wartung — Versuchen Sie auf keinen Fall, selbst Wartungsarbeiten am Gerät durchzuführen. Durch das Entfernen von Abdeckungen setzen Sie sich hohen Spannungen und anderen Gefahren aus. Lassen Sie sämtliche Wartungsarbeiten ausschließlich von qualifiziertem Service-Personal ausführen.
14. Reparaturen — Trennen Sie in den folgenden Situationen sofort die Stromzufuhr durch ziehen des Netzsteckers aus der Steckdose und lassen Sie das Produkt von qualifiziertem Service-Personal reparieren:
 - a. Wenn das Netzkabel oder der Netzstecker beschädigt ist.
 - b. Wenn Flüssigkeit in das Gerät eingedrungen ist oder Gegenstände in das Gerät gefallen sind.
 - c. Wenn das Gerät nass geworden ist (z.B. durch Regen).
 - d. Wenn das Gerät nicht wie in der Bedienungsanleitung beschrieben funktioniert.
Nehmen Sie nur die in den Bedienungsanleitungen beschriebenen Einstellungen vor. Unsachgemäße Einstellungen an anderen Reglern können zu einer Beschädigung führen und machen häufig umfangreiche Einstellarbeiten durch einen qualifizierten Service-Techniker erforderlich.
 - e. Wenn das Produkt fallen gelassen oder beschädigt wurde.
 - f. Wenn das Gerät einen anomalen Zustand aufweist. Jedes erkennbare anormale Verhalten zeigt an, dass der Kundendienst erforderlich ist.
15. Ersatzteile — Wenn Ersatzteile benötigt werden, stellen Sie bitte sicher, dass der Service-Techniker nur die vom Hersteller bezeichneten Teile oder Teile mit gleichen Eigenschaften und gleichem Leistungsvermögen wie die Originalteile verwendet. Die Verwendung anderer Teile kann zu einem Brand, zu Stromschlag oder anderen Gefahren führen.
16. Sicherheitsüberprüfungen — Lassen Sie vom Service-Techniker nach Service- oder Reparaturarbeiten eine Sicherheitsüberprüfung vornehmen, um sicherzustellen, dass das Produkt in einem einwandfreien Betriebszustand ist.
17. Wandmontage — Bei der Montage des Gerätes an der Wand ist sicherzustellen, dass die Befestigung nach der vom Hersteller empfohlenen Methode erfolgt.
18. Wärmequellen — Stellen Sie das Produkt nicht in der Nähe von Heizkörpern, Heizgeräten, Öfen oder anderen Geräten (wie z.B. Verstärkern) auf, die Hitze abstrahlen.
19. Batterien — Durch falsche Anwendung können die Batterien explodieren oder sich entzünden. Eine undichte Batterie kann Korrosion am Gerät verursachen sowie Hände und Kleidung verschmutzen. Um diese Probleme zu vermeiden, beachten Sie bitte die folgenden Sicherheitshinweise:
 - Verwenden Sie nur empfohlene Batterietypen.
 - Achten Sie beim Einlegen der Batterien darauf, dass die Plus- (+) und die Minus- (-) Seite der Batterien gemäß den Anweisungen im Fachinneren richtig ausgerichtet sind.
 - Verwenden Sie nicht alte und neue Batterien gemeinsam.
 - Verwenden Sie keine Batterien unterschiedlichen Typs. Batterien derselben Form können unterschiedliche Spannungswerte besitzen.



- Ersetzen Sie eine leere Batterie sofort durch eine neue.
 - Wenn Sie die Fernbedienung längere Zeit nicht verwenden, entnehmen Sie die Batterien.
 - Wenn ausgetretene Batterieflüssigkeit auf Haut oder Kleidung gelangt, müssen Sie diese sofort gründlich mit Wasser spülen. Wenn Batterieflüssigkeit in die Augen gelangt, dürfen Sie die Augen auf keinen Fall reiben, sondern am besten mit viel Wasser spülen und sofort einen Arzt aufsuchen. Batterieflüssigkeit kann Hautreizungen hervorrufen oder Augenschäden verursachen.
 - Entsorgen Sie die entladenen Batterien sachgemäß. Das Entsorgen von Batterien in Wasser, Feuer oder einem heißen Ofen sowie das mechanische Brechen, Schneiden oder Modifizieren einer Batterie kann zu einer Explosion führen.
 - Schließen Sie Batterien nicht kurz.
20. Bei der Verwendung des Monitors ist darauf zu achten, dass Gefahren für Leib und Leben, Schäden an Gebäuden und anderen Gegenständen sowie eine Beeinflussung von wichtigen oder gefährlichen Geräten, wie z.B. der Nuklearreaktionssteuerung in Atomanlagen, lebenserhaltenden Geräten in medizinischen Einrichtungen oder Raketenabschusssteuerungen in Waffensystemen vermieden werden.
 21. Vermeiden Sie es, Teile des Produkts, die sich erwärmen, über längere Zeit hinweg zu berühren. Dies könnte zu leichten Verbrennungen führen.
 22. Nehmen Sie dieses Produkt nicht ändern.

WARNUNG:

Geräte der KLASSE I dürfen nur an eine NETZSTECKDOSE mit Schutzerdung angeschlossen werden.

KIPPGEFAHR

Wenn ein Monitor nicht auf einer stabilen Unterlage aufgestellt wird, besteht die Gefahr, dass er kippt oder fällt. Zahlreiche Verletzungen, besonders bei Kindern, können durch einfache Vorsichtsmaßnahmen vermieden werden:

- Bei Verwendung der vom Hersteller empfohlenen Befestigungsvorrichtungen, wie z.B. Wandhalterung.
- Stellen Sie den Monitor nur auf Möbelstücke, die ausreichend belastbar sind.
- Achten Sie darauf, dass der Monitor nicht über den Rand des Möbelstücks, auf dem er steht, vorsteht.
- Stellen Sie den Monitor niemals auf ein großes Möbelstück (z.B. einen Schrank oder in ein Bücherregal), ohne sowohl das Möbelstück als auch den Monitor an einem geeigneten Element sicher zu verankern.
- Stellen Sie den Monitor niemals auf ein Tuch oder andere Materialien, die zwischen dem Monitor und dem Möbelstück, auf dem er steht, liegen.
- Weisen Sie Kinder eindringlich darauf hin, dass es gefährlich ist, auf ein Möbelstück zu klettern, um an den Monitor oder seine Regler zu gelangen.
- Dieses Gerät ist für die Verwendung an Orten, an denen sich Kinder unbeaufsichtigt aufhalten können, nicht geeignet.

Wichtige Hinweise für die Sicherheit von Kindern

- Lassen Sie Kinder niemals auf den Monitor klettern oder am Monitor spielen.
- Stellen Sie den Monitor nicht auf Möbelstücke, die leicht als Stufen verwendet werden könnten, wie zum Beispiel eine Truhe oder Kommode.
- Bedenken Sie, dass Kinder bei Betrachtung eines Fernsehprogramms – und ganz besonders bei einem "überlebensgroßen" Monitor – in starke Aufregung verfallen können. Der Monitor sollte so aufgestellt werden, dass er nicht umgestoßen oder gekippt werden kann.
- Alle am Monitor angeschlossenen Kabel und Stränge sollten so verlegt werden, dass neugierige Kinder nicht daran ziehen oder sie ergreifen können.




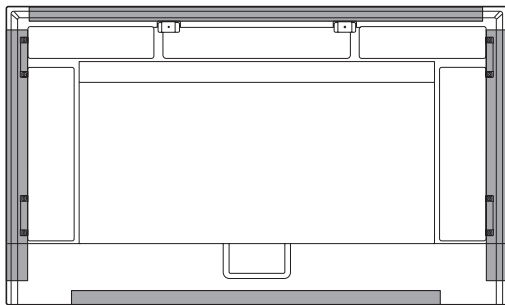
SICHERHEITSANLEITUNG

- Verwenden Sie den Monitor nicht an Orten mit hoher Staubbildung, hoher Luftfeuchtigkeit oder an Orten, an denen der Monitor mit Öl oder Dampf in Kontakt kommen könnte. Verwenden Sie den Monitor nicht an Orten, an denen ätzende Gase (Schwefeldioxid, Schwefelwasserstoff, Stickstoffdioxid, Chlor, Ammoniak, Ozon) auftreten können. Dies zu einem Brand führen könnte.
 - Achten Sie darauf, dass der Monitor nicht mit Wasser oder anderen Flüssigkeiten in Berührung kommt. Achten Sie auch darauf, keine Gegenstände, wie z.B. Büroklammern oder sonstige spitze Gegenstände, in den Monitor zu stecken. Die Folge könnte ein Brand oder Stromschlag sein.
 - Stellen Sie den Monitor nicht auf instabile Gegenstände oder an andere unsichere Stellen. Setzen Sie den Monitor keinen starken Stößen oder Erschütterungen aus. Wenn der Monitor hinunterfällt oder umkippt, könnte er Schaden nehmen.
 - Stellen Sie den Monitor nicht in der Nähe von Heizungen oder an anderen Stellen auf, an denen hohe Temperaturen auftreten, da dies zu einer übermäßig starken Erhitzung mit der Folge eines Brandes führen könnte.
 - Stellen Sie den Monitor nicht an Orten auf, an denen er direktem Sonnenlicht ausgesetzt ist. Bei einer Verwendung des Monitors in direktem Sonnenlicht besteht die Gefahr, dass sich das Gehäuse verformt oder Funktionsstörungen auftreten.
 - Bitte entfernen Sie regelmäßig Staub und Schmutz von der Belüftungsöffnung. Wenn sich Staub an der Belüftungsöffnung oder im Inneren des Monitors ansammelt, kann es zu einer Überhitzung des Geräts und in der Folge zu einem Brand oder zu Fehlfunktionen kommen. Bitte lassen Sie das Innere des Monitors von einem autorisierten SHARP-Händler oder einem SHARP Servicecenter reinigen.
 - Die Steckdose sollte sich in der Nähe des Gerätes befinden und leicht zugänglich sein.
 - Bedienen Sie den Bildschirm nicht mit harten oder spitzen Gegenständen, wie Fingernägel oder Bleistift.
 - Geeignet zu Unterhaltungszwecken in kontrolliert beleuchteten Umgebungen, um störende Reflexionen des Bildschirms zu vermeiden.
- Das Netzkabel**
- Verwenden Sie nur das mit dem Monitor gelieferte Netzkabel.
 - Beschädigen Sie das Netzkabel nicht, stellen Sie keine schweren Gegenstände darauf, und überdehnen oder knicken Sie es nicht. Verwenden Sie keine Verlängerungskabel. Ein beschädigtes Kabel kann einen Brand oder Stromschlag verursachen.
 - Verwenden Sie das Netzkabel nicht mit einer Mehrfachsteckdose. Die Verwendung eines Verlängerungskabels kann aufgrund von Überhitzung zu einem Brand führen.
 - Achten Sie darauf, dass Sie beim Einstecken oder Ausstecken des Netzsteckers keine nassen Hände haben, um einen Elektroschlag zu vermeiden.
 - Ziehen Sie das Netzkabel aus der Steckdose, wenn Sie das Gerät längere Zeit über nicht verwenden.
 - Führen Sie keine Reparaturversuche an einem beschädigten oder nicht funktionstüchtigen Netzkabel durch. Überlassen Sie Reparaturarbeiten ausschließlich dem Kundendienst.
 - Dieser Monitor ist für eine Verwendung mit geerdetem Netzkabel konzipiert. Wird das Netzkabel nicht geerdet, kann dies zu einem elektrischen Schlag führen. Stellen Sie sicher, dass das Netzkabel direkt in der Wandsteckdose eingesteckt und ordnungsgemäß geerdet ist. Verwenden Sie keinen 2-Stecker-Umsetzeradapter.
 - Verwenden Sie den Netzstecker nicht, wenn Sie Donner hören. Dies könnte einen elektrischen Schlag verursachen.
 - Achten Sie darauf, die für das Produkt festgelegte Netzspannung bei Installation nicht zu überschreiten. Dies könnte einen Brand oder elektrischen Schlag verursachen. Bitte beachten Sie die in der Spezifikationen genannten Informationen über die Netzspannung.



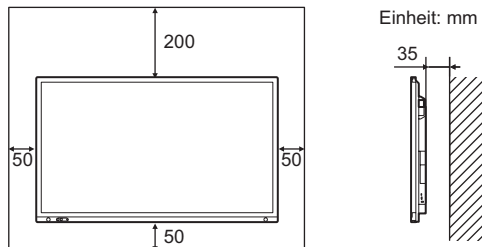
WICHTIGE HINWEISE ZUR BEFESTIGUNG

- Für SHARP-Händler oder Servicetechniker, bestätigen Sie bitte "Wichtige Hinweise zur Befestigung (Für SHARPHändler und Servicetechniker)". (Siehe Seite 10.)
- Dieses Produkt ist nicht für den Gebrauch im Freien gedacht.
- Ein Montagewinkel, der den VESA-Spezifikationen entspricht, ist erforderlich.
- Da der Monitor sehr schwer ist, sollten Sie Ihren Händler vor dem Befestigen, Abmontieren oder Transportieren des Monitors um Rat fragen.
- Für die Wandbefestigung des Monitors sind Spezialkenntnisse erforderlich. Diese Arbeit darf daher nur von einem autorisierten Händler durchgeführt werden. Führen Sie diese Arbeit niemals selbst durch. Unser Unternehmen übernimmt keine Verantwortung für Unfälle oder Verletzungen, die sich durch eine falsche Befestigung oder einen falschen Umgang mit dem Gerät ergeben.
- Verwenden Sie den Monitor mit der Vorderseite senkrecht zu einer ebenen Fläche. Nötigenfalls können Sie den Monitor um bis zu 20 Grad nach oben neigen.
- Halten Sie den Monitor zum Transportieren an den Griffen oder den unten mit  markierten Stellen. Fassen Sie nicht den Bildschirm. Das Gerät könnte dadurch beschädigt werden, oder Sie könnten sich dabei verletzen.

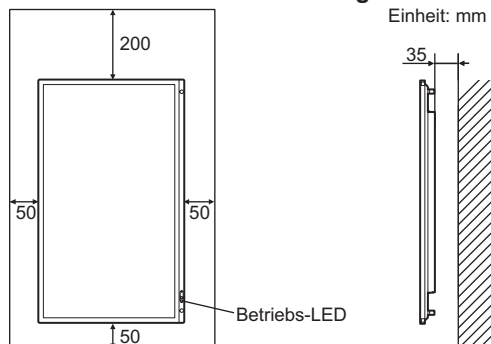


- Dieser Monitor sollte bei einer Umgebungstemperatur zwischen 5°C und 35°C verwendet werden. Rund um den Monitor muss genügend Freiraum sein, damit die Wärme aus dem Geräteinneren gut entweichen kann.

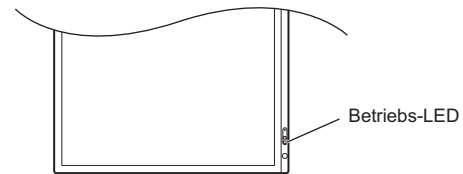
Monitor in horizontaler Ausrichtung



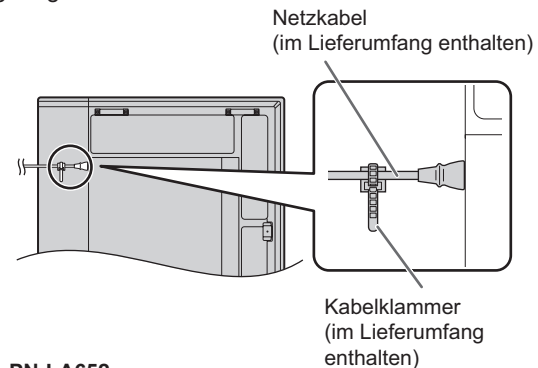
Monitor in vertikaler Ausrichtung



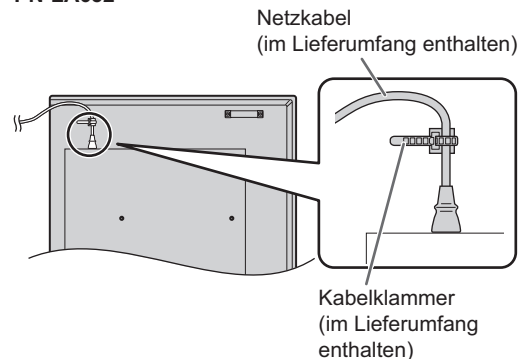
- Vermeiden Sie hohe Temperaturen in der Umgebung des Geräts. Wenn es aus irgendeinem Grund schwierig ist, ausreichend Platz frei zu lassen, etwa weil der Monitor in ein Gehäuse eingebaut wird, wenn mehrere Einheiten nebeneinander installiert werden sollen, oder wenn die Umgebungstemperatur außerhalb des zulässigen Bereichs von 5°C bis 35°C liegen könnte, so müssen Sie ein Gebläse installieren oder andere Maßnahmen ergreifen, um die Umgebungstemperatur innerhalb des vorgeschriebenen Bereichs zu halten.
- Die Temperaturbedingungen können sich ändern, wenn der Monitor zusammen mit von SHARP empfohlenem Zubehör verwendet wird. Überprüfen Sie in diesem Fall bitte die für das Zubehör empfohlenen Temperaturbedingungen.
- Alle Belüftungsöffnungen müssen stets frei bleiben. Wenn die Temperatur innerhalb des Monitors ansteigt, kann dies zu Fehlfunktionen führen.
- Stellen Sie den Monitor nicht auf ein anderes Gerät, das Wärme erzeugt.
- Verwenden Sie das Gerät nicht an Orten, an denen es direkter Sonneneinstrahlung oder anderem starken Lichteinfall ausgesetzt ist. Weil für die Bedienung Infrarotstrahlen verwendet werden, können Störungen durch Lichteinfall verursacht werden.
- Wenn mehrere Monitore in der Nähe voneinander verwendet werden, stellen Sie sicher, dass der Infrarot-Sender/Empfänger nicht die anderen beeinträchtigt.
- Beachten Sie für die Installation des Monitors in vertikaler Ausrichtung die folgenden Punkte. Werden die folgenden Punkte nicht beachtet, kann dies zu Fehlfunktionen führen.
 - Installieren Sie den Monitor so, dass sich die Betriebs-LED an der Unterseite befindet.



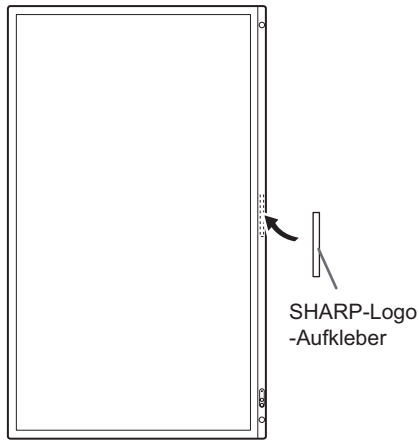
- Stellen Sie den "HOCH-/QUERFORMAT INST." im Menü ADMIN. auf "HOCHFORMAT". (Siehe Bedienungsanleitung.)
- Das Netzkabel (im Lieferumfang enthalten) muss mit der mitgelieferten Kabelklammer am Befestigung der Kabelklammer befestigt werden. Beim Festklemmen des Netzkabels darf auf die Netzkabelbinder keine Zugkraft ausgeübt werden. Das Netzkabel darf nicht zu stark gebogen werden.



PN-LA652

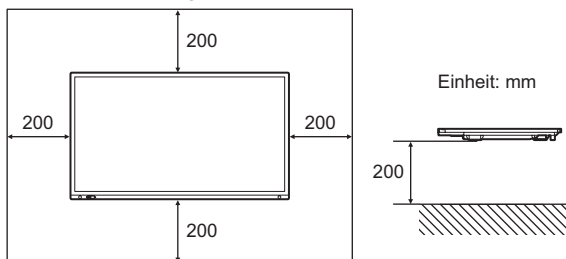


- Verwenden Sie den SHARP-Logo-Aufkleber, wenn Sie den Monitor vertikal installieren.



Flache Installation

- Wenn der Monitor flach auf einer Fläche liegt (wenn der Monitor mehr als 20 Grad von der Senkrechten nach oben geneigt wird, in Bezug zur waagrechten Fläche), wenden Sie sich an einen autorisierten Händler, da spezielle Montagebedingungen beachtet werden müssen. Beachten Sie diese wie nachfolgend beschrieben. Die Missachtung dieser Vorschriften kann Störungen verursachen.
 - Stellen Sie die "INSTALLATION IM QUERFORMAT" im ADMIN. Einstellmenü auf "NACH OBEN" ein. (Siehe Bedienungsanleitung.)
 - Verwenden Sie den Monitor in einer Umgebungstemperatur zwischen 5°C und 30°C. Achten Sie auf einen Abstand von mindestens 200 mm zwischen Monitor und Decke oder sonstigen Montageflächen und nebenan stehenden Objekten, um eine Wärmeentwicklung im Geräteinneren zu vermeiden. Wenn Sie nicht ausreichend Abstand bieten können oder die Umgebungstemperatur außerhalb des Bereichs von 5°C bis 30°C liegt, installieren Sie ein Gebläse oder ergreifen Sie andere Maßnahmen, um die Umgebungstemperatur innerhalb des vorgeschriebenen Bereichs zu halten.



- Drücken Sie nicht fest auf das LCD-Panel und vermeiden Sie sonstige Einwirkungen.

Mitgelieferte Komponenten

Sollte eine der angeführten Komponenten fehlen, kontaktieren Sie bitte Ihren Händler.

- Interaktives Display: 1
- Fernbedienung: 1
- Kabelklammer: 3



- Netzkabel
- Fernbedienung-Batterie: 2

- Installationsanleitung (diese Anleitung): 1
- Touch-Pen: 2
- Kamerahalterung (klein): 1
- Kameraschraube (Zollgewinde): 1
- Kamerahalterung (groß): 1
- USB-Kabel: 1

- SHARP-Logo-Aufkleber: 1
Um das Logo zu verdecken, überkleben Sie das SHARP-Logo mit diesem Aufkleber.
- Befestigungsschrauben für Kamera (M3x8): 2
- Befestigungsschrauben für Kamera (M3x12): 2

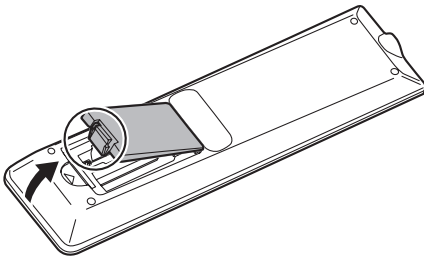
Nur PN-LA862/PN-LA752

- Spielerhalterung: 1
- Spielerhalterungsschraube (M4x6) : 2

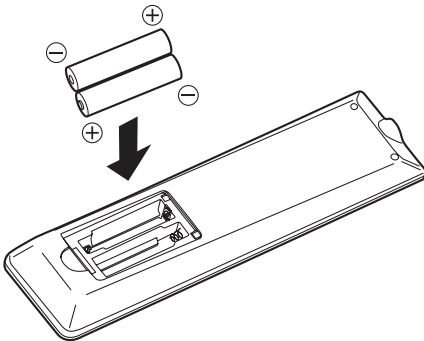
* **Vermerken Sie:** Batterien dürfen der Umwelt zuliebe nicht mit den Hausmüll entsorgt werden, sondern verlangen Sonderbehandlung.

Vorbereitung der Fernbedienung

1. Legen Sie Ihren Finger auf die mit ▲ gekennzeichnete Position und ziehen Sie dann die Abdeckung ab.



2. Beachten Sie die Anweisungen im Fachinneren und legen Sie die mitgelieferten Batterien (R03 oder LR03 (Größe "AAA") x 2) richtig ein (auf die Plus- (+) und Minus- (-) Seite achten).



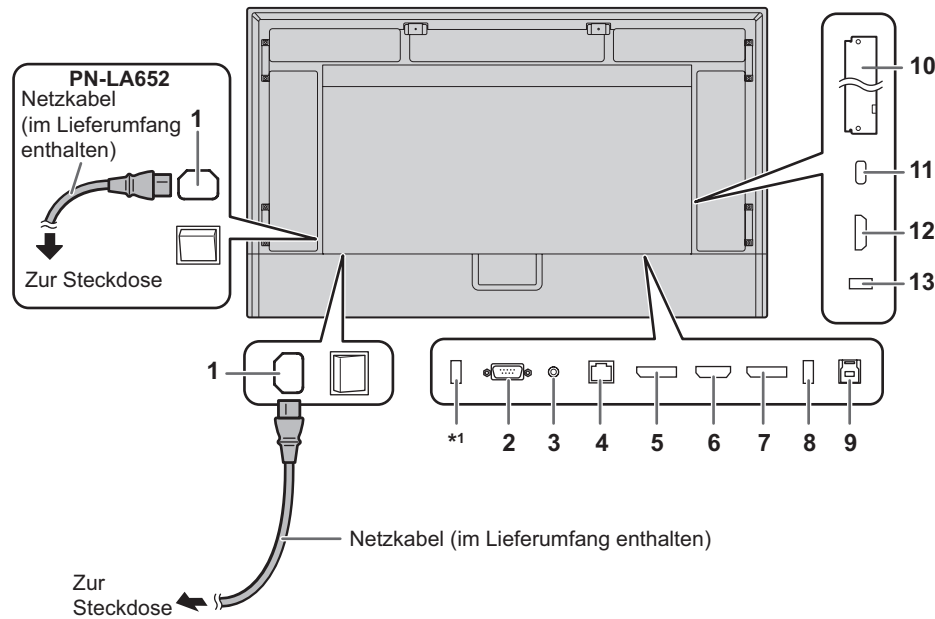
3. Schließen Sie die Abdeckung.

Anschlüsse

! Vorsicht

- Schalten Sie unbedingt den Hauptnetzschalter aus und ziehen Sie den Netzstecker, bevor Sie Kabel anschließen oder abziehen. Lesen Sie auch das Handbuch des Gerätes, das Sie an den Monitor anschließen möchten.
- Verwechseln Sie beim Anschließen nicht die Signaleingänge mit den Signalausgängen. Dies könnte zu Fehlfunktionen und anderen Problemen führen.
- Stellen Sie beim Anschließen des Netzkabels am WS-Eingangsanschluss des Geräts sicher, dass der Stecker vollständig und fest eingesteckt wird.

■ Rückansicht



- | | |
|--|---|
| 1. Netzkabelbuchse | 8. USB 2-Buchse (USB 3.0-kompatibel, Typ-A) |
| 2. RS-232C-Eingangsanschluss | 9. TOUCH PANEL Anschluss* ² (für Touch-Panel)
(für HDMI1/HDMI2/DisplayPort) |
| 3. Audio-Ausgangsanschluss | 10. Optionskartensteckplatz |
| 4. LAN-Anschluss | 11. USB Buchse Typ C* ² |
| 5. DisplayPort-Ausgangsanschluss | 12. HDMI1-Eingangsanschluss |
| 6. HDMI2-Eingangsanschluss (unterstützt ARC) | 13. USB 1-Buchse (USB 3.0-kompatibel, Typ-A) |
| 7. DisplayPort-Eingangsanschluss | |

*1 Dieser Anschluss ist für die "KLON-EINSTELLUNG" und zukünftige Software-Upgrades vorgesehen. Importiert oder exportiert die Monitoreinstellungen über das USB-Stick, wenn "KLON-EINSTELLUNG" ausgewählt ist. (Siehe BEDIENUNGSANLEITUNG.)

*2 Werkseinstellung. Sie können den Anschluss, der in jedem Eingangsmodus verwendet werden soll, mit "AUSWAHL TOUCH-EINGABE" einstellen.

TIPPS

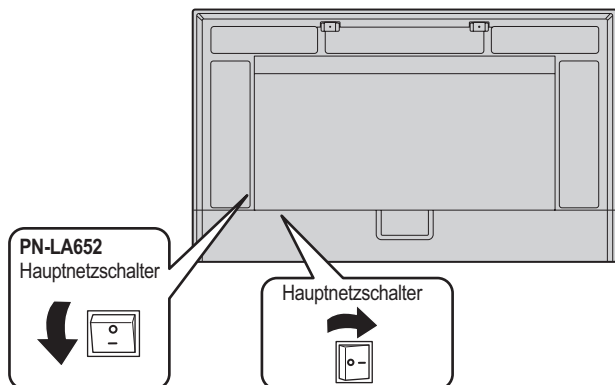
- Der Information Display Downloader kann auch auf folgender Website heruntergeladen werden.
<https://www.sharp.eu/download-centre>
Wenn der Information Display Downloader installiert wurde, können Sie die neusten Versionen der Software und der neuesten Firmware prüfen und downloaden.
Für die Installation der Software wird auf die jeweilige Bedienungsanleitung verwiesen.
Die Setup-Programme Pen Software und Setup-Programme Touch Viewing Software/Touch Viewer, neueste Firmware über den Information Display Downloader heruntergeladen werden.

Ein- und ausschalten

! Vorsicht

- Schalten Sie zuerst den Monitor und erst danach den Computer oder ein anderes Wiedergabegerät ein.
- Warten Sie zwischen dem Ein- und Ausschalten des Hauptnetzschatlers oder der Taste POWER immer mindestens 5 Sekunden. Ist der zeitliche Abstand kurz, kann es zu Fehlfunktionen kommen.

Einschalten des Netzstroms



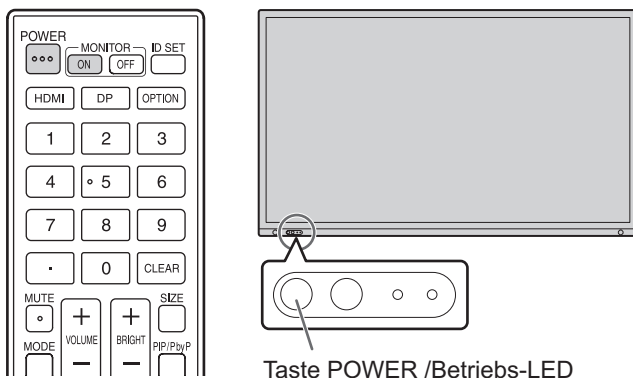
Aus-Zustand, wenn der Hauptstrom ausgeschaltet ist.

! Vorsicht

- Die Hauptstromversorgung muss mithilfe des Hauptnetzschatlers ein- und ausgeschaltet werden. Während der Hauptnetzschatler eingeschaltet ist, darf das Netzkabel nicht abgezogen/angeschlossen oder der Trennschalter ein- und ausgeschaltet werden.
- Für eine komplette elektrische Trennung muss der Netzstecker abgezogen werden.

Einschalten

1. Drücken Sie auf die Taste POWER oder die Taste MONITOR ON, um das Gerät einzuschalten.



Status	Betriebszustand des Monitors
Orange/Blau blinkend	Während des Einschaltens
Leuchtet blau	Monitor eingeschaltet
Leuchtet orange	Monitor ausgeschaltet (Standby-Status*1)
Blau blinkend	Eingangssignal-Wartezustand*2

*1 Bereitschaftszustand, wenn "ENERGIESPARMODUS" auf "EIN" und "LAN-PORT" und "BEWEGUNGSSENSOR" auf "AUS" eingestellt ist. Vernetzter Bereitschaftsbetrieb, wenn "ENERGIESPARMODUS" und "LAN-PORT" auf "EIN" und "BEWEGUNGSSENSOR" auf "AUS" eingestellt ist.

Der vernetzter Bereitschaftsbetrieb ermöglicht, dass der Monitor über das Netzwerk (LAN, RS-232C und HDMI CEC) eingeschaltet werden kann.

*2 Wenn "ENERGIESPARMODUS" auf "AUS" und "POWER MANAGEMENT" auf "EIN" eingestellt ist, wird in den Eingangssignal-Wartezustand gewechselt, wenn kein Signal erkannt wird.

TIPPS

- Bei ausgeschaltetem Hauptnetzschatler lässt sich der Monitor nicht einschalten.
- Wenn sich der Monitor im Eingangssignal-Wartestatus befindet und Sie die Taste POWER oder MONITOR ON drücken, wird der Monitor eingeschaltet.
- Wenn sich der Monitor im Eingangssignal-Wartestatus befindet und Sie die Taste MONITOR OFF drücken, wird der Monitor ausgeschaltet.
- Damit der Logo-Bildschirm beim Einschalten des Geräts nicht angezeigt wird, müssen Sie "LOGO-BILDSCHIRM" unter "SYSTEM" im Menü ADMIN. auf "AUS" setzen. (Siehe BEDIENUNGSANLEITUNG.)
- Der nach dem Starten angezeigte Eingabemodus kann fixiert werden. Legen Sie "EINGABEMODUS STARTEN" unter "EINGANG" im Menü "ADMIN." fest.
- Beim Start von der Optionskarte ändern Sie "EINGANGS MODUS" in "OPTIONEN".
- Wenn Sie die Optionskarte zum ersten Mal verwenden, wird das Optionskarte Setup ausgeführt. Schalten Sie den Hauptschalter nicht aus, während das Setup ausgeführt wird.

■ Betrieb nach dem ersten Einschalten

Wenn Sie das Gerät erstmalig einschalten, wird der Bildschirm zum Einstellen von Sprache, Kommunikation, Datum und Uhrzeit usw. angezeigt.

Verwenden Sie für die Einstellung die Tasten ▲, ▼, ◀, ▶ auf der Fernbedienung.

Der Bildschirm "SPRACHAUSWAHL" wird angezeigt.

1. Nachdem Sie "SPRACHAUSWAHL" eingestellt haben, wählen Sie "WEITER" und drücken Sie die Taste ENTER auf der Fernbedienung.

Der Bildschirm "KOMMUNIKATIONSEINSTELLUNG" wird angezeigt.

2. Nachdem Sie "KOMMUNIKATIONSEINSTELLUNG" eingestellt haben, wählen Sie "WEITER" und drücken Sie die Taste ENTER auf der Fernbedienung.

Der Bildschirm "EINSTELLUNG DATUM/ZEIT" wird angezeigt.

3. Nachdem Sie "EINSTELLUNG DATUM/ZEIT" eingestellt haben, wählen Sie "WEITER" und drücken Sie die Taste ENTER auf der Fernbedienung.

Der Bildschirm "KONTROLLFUNKTION" wird angezeigt.

4. Nachdem Sie "KONTROLLFUNKTION" eingestellt haben, wählen Sie "WEITER" und drücken Sie die Taste ENTER auf der Fernbedienung.

Der Bildschirm "KONFERENZRAUMEINSTELLUNGEN" wird angezeigt.

5. Nachdem Sie "KONFERENZRAUMEINSTELLUNGEN" eingestellt haben, wählen Sie "BEENDEN" und drücken Sie die Taste ENTER auf der Fernbedienung.

Die nachstehenden Einstellungen sind empfohlene Einstellungen und entspricht der "Normalkonfiguration" gemäß EcoDesign Verordnung (2019/2021).

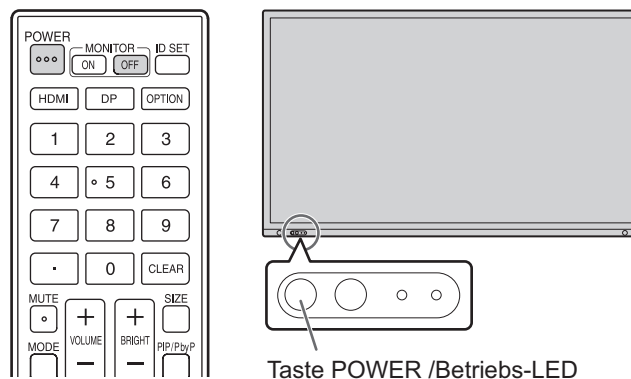
- ENERGIESPARMODUS: EIN
- LAN-PORT: AUS
- BEWEGUNGSSENSOR: AUS

Ausschalten

Wenn Sie die Optionskarte verwenden, sehen Sie sich das Bedienungsanleitung.

1. Drücken Sie auf die Taste POWER oder die Taste MONITOR OFF.

Das Gerät wird ausgeschaltet. (Standby-Status)



Technische Daten

Modell	PN-LA862	PN-LA752	PN-LA652
Leistungsaufnahme	AC 100 V - 240 V, 4,9 A-1,9 A, 50/60 Hz	AC 100 V - 240 V, 4,1 A-1,6 A, 50/60 Hz	AC 100 V - 240 V, 3,9 A-1,5 A, 50/60 Hz
Betriebstemperatur *1	5°C bis 35°C		
Relative Luftfeuchtigkeit	20% bis 80% (Keine Kondensation)		
Lagertemperatur	-20°C bis 60°C		
Lagerfeuchte	10% bis 80% (Keine Kondensation)		
Stromverbrauch *2 (Maximal)	275 W (440 W)	205 W (360 W)	190 W (350 W)
Abmessungen (ohne Vorsprünge) (mm)	Ca. 1965,4 (W) x 86,5 (D) x 1163,9 (H)	Ca. 1720,1 (W) x 86,5 (D) x 1025,9 (H)	Ca. 1493,5 (W) x 90,7 (D) x 896,1 (H)
Gewicht (kg)	Ca. 71,5	Ca. 56,5	Ca. 49,5

*1 Wenn der Monitor flach auf einer Fläche liegt (wenn der Monitor mehr als 20 Grad von der Senkrechten nach oben geneigt wird, in Bezug zur waagrechten Fläche), verwenden Sie den Monitor bei einer Umgebungstemperatur zwischen 5°C und 30°C.

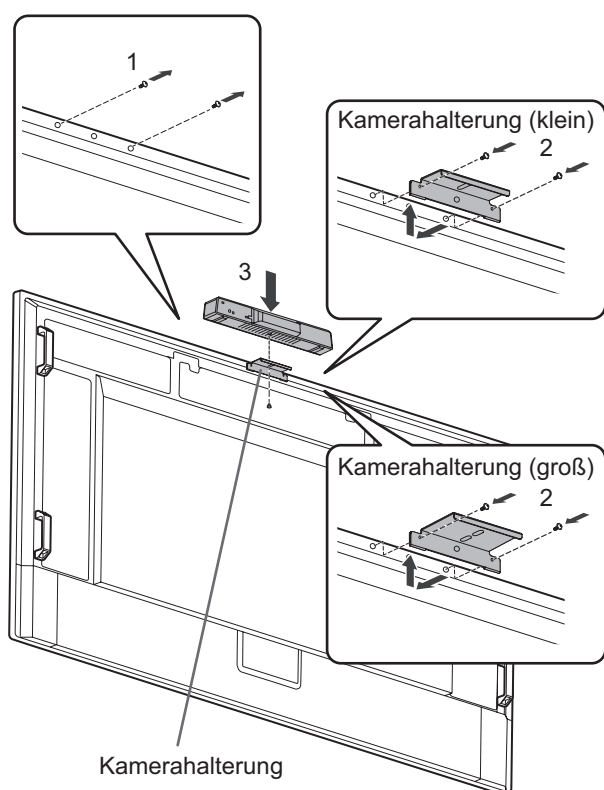
Die Temperaturbedingungen können sich ändern, wenn das Monitor zusammen mit von SHARP empfohlenem Zubehör verwendet wird.

Überprüfen Sie in diesem Fall bitte die für das Zubehör empfohlenen Temperaturbedingungen.

*2 Werkseinstellung. (Wenn keine optionale Komponente angeschlossen ist.)

Bedingt durch fortlaufende technische Verbesserungen behält sich SHARP das Recht vor, das Design und die Spezifikationen ohne vorherige Ankündigung ändern zu können. Die angegebenen Leistungswerte stellen die Nennwerte einer in Serienherstellung produzierten Einheit dar. Geringe Abweichungen bei einzelnen Geräten sind möglich.

Befestigen der Web-Kamera



Die PN-ZCMS1 Videokonferenz-Soundbar (optional) oder eine handelsübliche Web-Kamera (1,1 kg oder weniger) kann mit der Kamerahalterung (klein) (im Lieferumfang enthalten) befestigt werden.

1. Lösen Sie die Schrauben von diesem Monitor.

2. PN-LA862/PN-LA752:

Befestigen Sie die Kamerahalterung (klein) (im Lieferumfang enthalten) mit der Befestigungsschraube für Kamera (M3x12) (x2) (im Lieferumfang enthalten).

PN-LA652:

Befestigen Sie die Kamerahalterung (klein) (im Lieferumfang enthalten) mit der Befestigungsschraube für Kamera (M3x8) (x2) (im Lieferumfang enthalten).

Die Schrauben für die Kamerahalterung sind je nach Monitor unterschiedlich.

3. Befestigen Sie das PN-ZCMS1 (optional) mit der Kameraschraube (Zollgewinde) (im Lieferumfang enthaltenen) (x1) auf der Kamerahalterung.

Die von uns empfohlene Web-Kamera kann mit der enthaltenen Kamerahalterung (groß) (im Lieferumfang enthaltene) befestigt werden. Wenden Sie sich an Ihren Händler, um unsere empfohlene Web-Kamera zu erhalten.

1. Lösen Sie die Schrauben von diesem Monitor.

2. PN-LA862/PN-LA752:

Befestigen Sie die Kamerahalterung (groß) (im Lieferumfang enthalten) mit der Befestigungsschraube für Kamera (M3x12) (x2) (im Lieferumfang enthalten).

PN-LA652:

Befestigen Sie die Kamerahalterung (groß) (im Lieferumfang enthalten) mit der Befestigungsschraube für Kamera (M3x8) (x2) (im Lieferumfang enthalten).

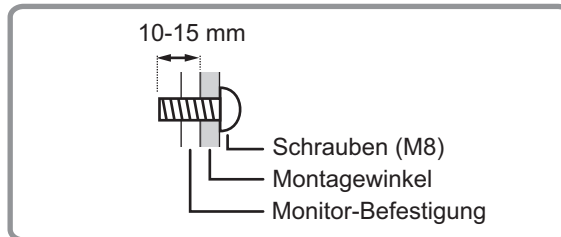
Die Schrauben für die Kamerahalterung sind je nach Monitor unterschiedlich.


TIPS

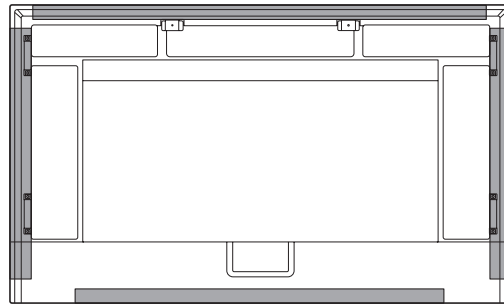
- Informationen zum Anbringen einer Web-Kamera (optional) finden Sie in der Bedienungsanleitung für die Web-Kamera.

Wichtige Hinweise zur Befestigung (Für SHARP-Händler und Servicetechniker)

- Für das Befestigen, Abmontieren oder Transportieren des Monitors müssen mindestens 4 Personen zur Verfügung stehen. (PN-LA652: mindestens 3 Personen.)
- Verwenden Sie dazu einen Wandhalterung, der für die Befestigung des Monitors geeignet ist.
- Dieser Monitor wurde für die Befestigung an einer Betonwand oder an einer Betonsäule gebaut. Vor der Aufstellung des Monitors kann es notwendig sein, Wände, die aus bestimmten Materialien (z.B. Gips, dünnem Kunststoff usw.) bestehen, entsprechend zu verstärken.
- Der Monitor und der Befestigungswinkel dürfen nur an einer Wand montiert werden, die mindestens das vierfache Gewicht des Monitors tragen kann. Wählen Sie das für Material und Wandstruktur jeweils am besten geeignete Befestigungsverfahren aus.
- Verwenden Sie die M8-Schrauben, die 10 bis 15 mm länger als die Dicke des Montagewinkel sind, zum Befestigen des VESAkompatiblen Montagewinkel.



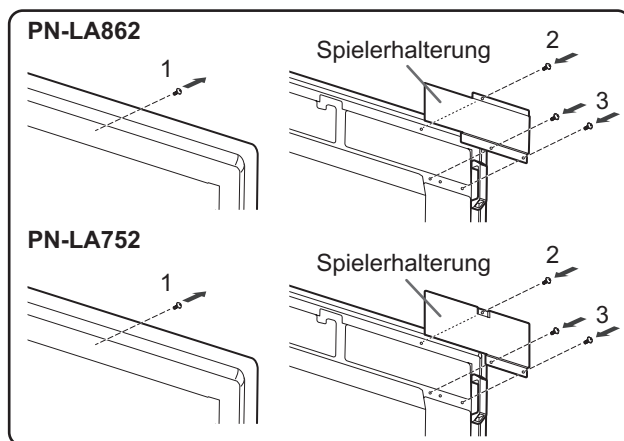
- Verwenden Sie keinen Schlag- oder Akkuschauber.
- Halten Sie den Monitor zum Transportieren an den Griffen oder den unten mit  markierten Stellen. Fassen Sie nicht den Bildschirm. Das Gerät könnte dadurch beschädigt werden, oder Sie könnten sich dabei verletzen.



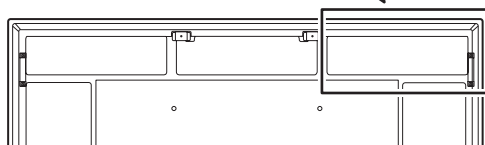
- Überprüfen Sie nach der Befestigung des Monitors sorgfältig, dass der Monitor sicher befestigt ist und sich auf keinen Fall von der Wand oder der Befestigungsvorrichtung lösen kann.
- Verwenden Sie für die Installation nur die Schraubenlöcher für Montagewinkel auf der Rückseite des Monitors.
- Wenn Sie den Monitor während der Installation kurzfristig auf einem Tisch oder einer anderen Fläche ablegen müssen, bedecken Sie den Tisch mit einem dicken, weichen Tuch, um Beschädigungen am Bildschirm und Tisch zu vermeiden.
- Wenn der Monitor flach auf einer Fläche liegt (wenn der Monitor mehr als 20 Grad von der Senkrechten nach oben geneigt wird, in Bezug zur waagrechten Fläche), wenden Sie sich an einen autorisierten Händler, da spezielle Montagebedingungen beachtet werden müssen.

■ Befestigung der Spielerhalterung (PN-LA862/PN-LA752)

Befestigen Sie die Spielerhalterung beim Anschluss eines optionalen Controllers.



1. Lösen Sie die Schrauben von diesem Monitor.
2. Befestigen Sie die Spielerhalterung mit den Schrauben, die Sie von diesem Monitor entfernt haben.
3. Befestigen Sie die Spielerhalterung mit der Spielerhalterungsschraube (M4x6) (im Lieferumfang enthaltene) (x2).



■ Installation der Optionskarte

Sie können die Optionskarte installieren, die mit den Spezifikationen von Intel Smart Display Module Small (Intel SDM-S) und Intel Smart Display Module Large (Intel SDM-L) kompatibel ist.

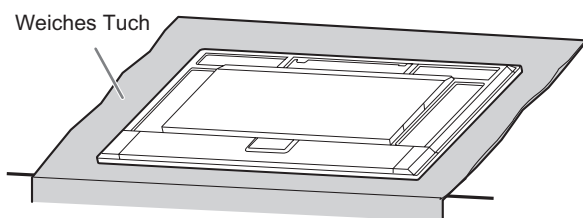
! Vorsicht

- Wenn bereits Kabel angeschlossen sind, trennen Sie diese alle.

TIPPS

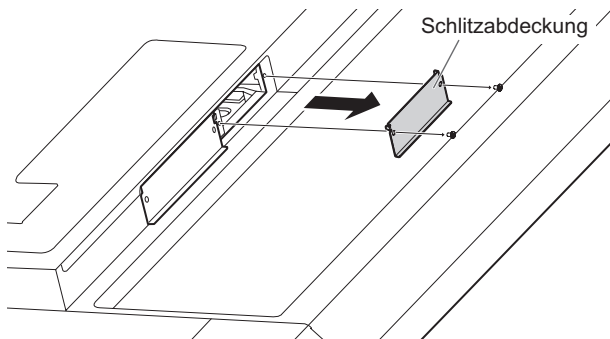
- Wenn Sie weitere Informationen über Optionskarten wünschen, wenden Sie sich an Ihren Händler.

1. Legen Sie ein dickes, weiches Tuch (Leintuch usw.) auf einer stabilen flachen Fläche aus, auf der der gesamte Monitor abgelegt werden kann, um eine Beschädigung des LCD-Bedienfelds zu vermeiden, und legen Sie den Monitor mit dem LCD-Bedienfeld nach unten auf dem Tuch ab.

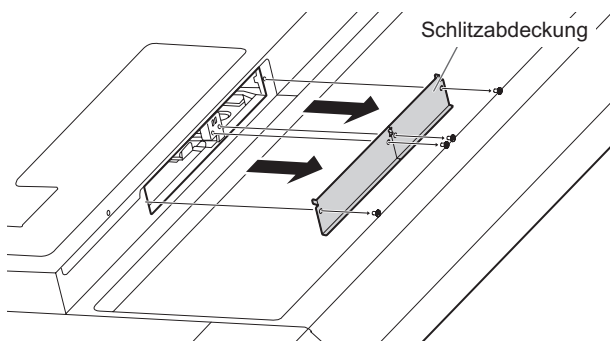


2. Entfernen Sie die Schrauben (x2) und nehmen Sie erst dann die Schlitzabdeckung ab.

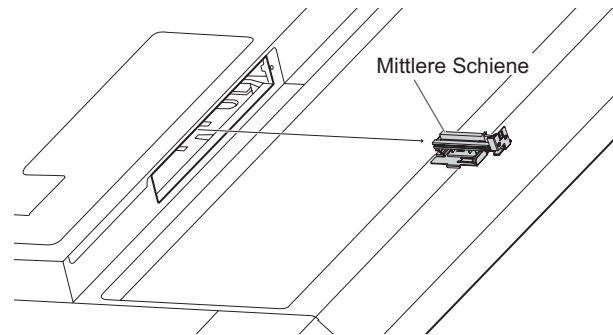
Intel SDM-S:



Intel SDM-L:

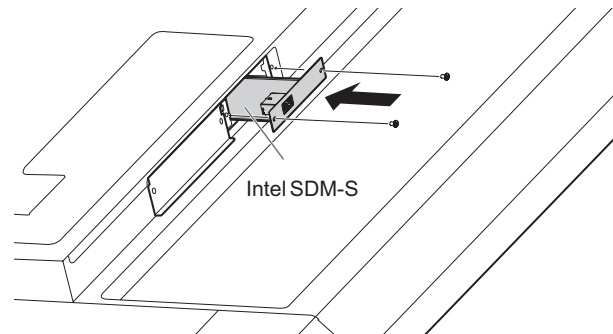


Entfernen Sie beim Intel SDM-L zunächst die mittlere Schiene, und befestigen Sie dann die Optionskarte.

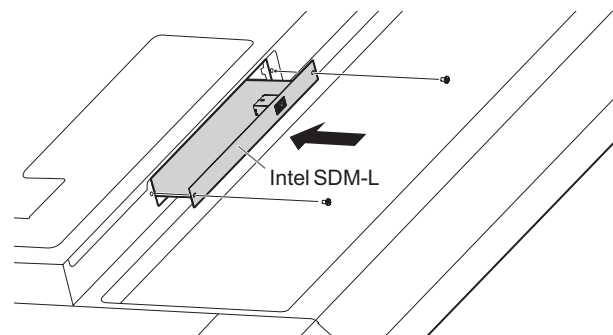


3. Befestigen Sie die Optionskarte mit den in Schritt 2 entfernten Schrauben. (Empfohlenes Anzugsmoment: 50~80 N•cm)

Intel SDM-S:



Intel SDM-L:



■ Entfernen der Optionskarte

Entfernen Sie die Optionskarte in umgekehrter Reihenfolge der Installation.

! Vorsicht

- Stellen Sie sicher, dass die Optionskarte in richtiger Ausrichtung in den Schlitz eingeführt wird.
- Wenden Sie auf die Optionskarte nicht zu viel Kraft an, bevor diese nicht mit den Schrauben befestigt ist.
- Stellen Sie sicher, dass die Optionskarte mithilfe der Originalschrauben sicher befestigt ist, um zu verhindern, dass die Optionskarte aus dem Gerät herausfällt. Eine herausfallende Optionskarte kann zu Verletzungen führen.

Warenzeichen & Softwarelizenzen

- Die Begriffe HDMI, HDMI High-Definition Multimedia Interface, HDMI-Aufmachung (HDMI Trade Dress) und die HDMI-Logos sind Marken oder eingetragene Marken von HDMI Licensing Administrator, Inc.
- DisplayPort ist ein geschütztes Warenzeichen von Video Electronics Standards Association.
- Adobe, Acrobat, und Acrobat Reader sind entweder geschützte Warenzeichen oder Warenzeichen von Adobe in den USA und/oder in anderen Ländern.
- VESA ist entweder ein geschütztes Warenzeichen oder ein Warenzeichen von Video Electronics Standards Association in den USA und/oder in anderen Ländern.
- FlatFrog und InGlass sind Warenzeichen von FlatFrog Laboratories AB, registriert in den USA und in anderen Regionen.
- Intel ist eine Marke der Intel Corporation oder ihrer Tochtergesellschaften.
- Alle andere Markenprodukt und Produktnamen sind Warenzeichen oder geschützte Warenzeichen der betreffenden Urheberrechtinhaber.

MEMO

A large, empty rectangular box with rounded corners, intended for writing a memo. The box is centered on the page and occupies most of the vertical space below the 'MEMO' header.



SHARP

SHARP CORPORATION

Printed in China
Imprimé en Chine
Impreso en China
Gedruckt in China

(1)

