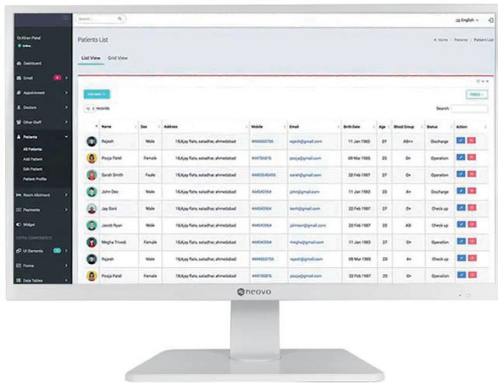


ME-3201 32" CLINICAL REVIEW MONITOR

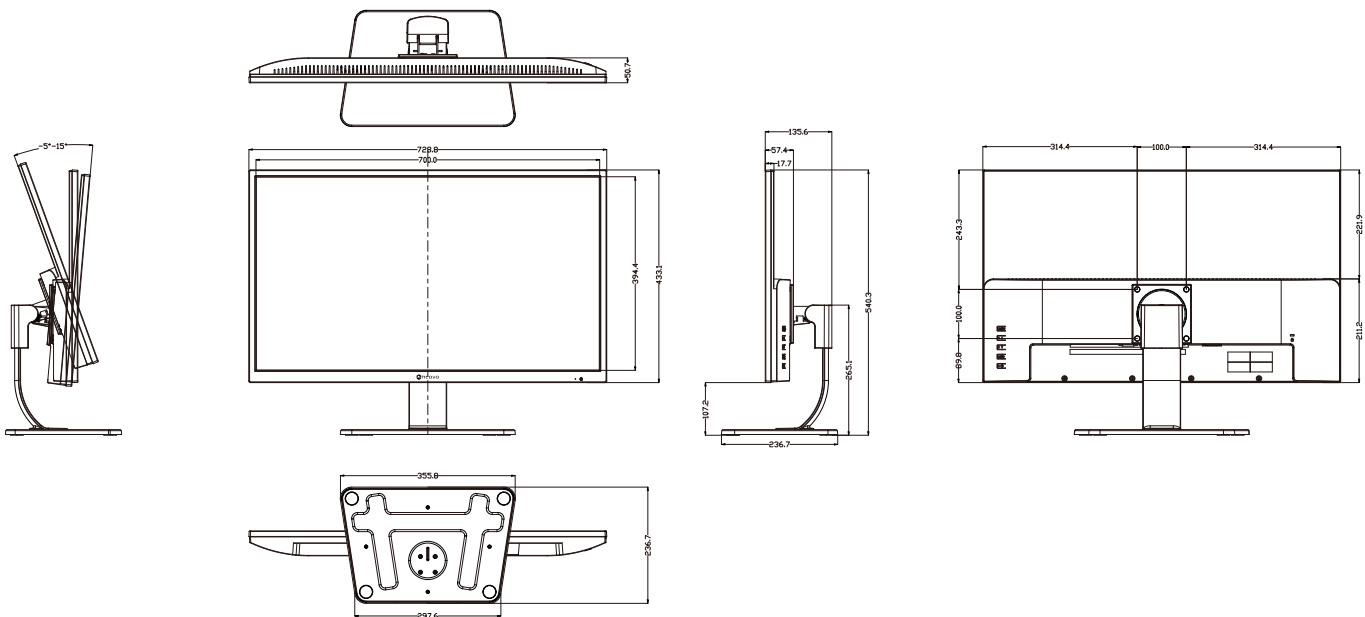
FEATURES

- Full HD 1920 x 1080 resolution
- Medical adaptor certified to IEC/EN 60601-1 medical standards
- HDMI and DisplayPort inputs with integrated dual speakers
- VESA mounting suitable for flexible installation in healthcare settings.



Introducing the ME-3201, a 32" clinical review monitor thoughtfully crafted to revolutionise document scrutiny in clinics. Every meticulous detail is accentuated, enhancing patient record evaluations. Beyond its crisp display, the monitor champions safety with its IEC/EN 60601 certified power adaptor. Its sophisticated ergonomic design, combined with VESA mounting compatibility, promises versatility – from a traditional desk setup to the hustle and bustle of medical trolleys.

TECHNICAL DRAWING



SPECIFICATIONS

Panel

Panel Type	VA
Panel Size	31.5"
Max. Resolution	FHD 1920 x 1080
Pixel Pitch	0.364 mm
Brightness	300 cd/m ²
Contrast Ratio	20,000,000:1 (DCR)
Viewing Angle (H/V)	178°/178°
Display Colour	16.7M
Response Time	5 ms
Surface Treatment	Anti-Glare Treatment (Haze25%), 3H Hard Coating

Frequency

Frequency (H)	30 KHz-81 KHz
Frequency (V)	56 Hz-75 Hz

Signal Input

DisplayPort	x 1
HDMI	x 1

Audio

Audio Out	Stereo Audio Jack (3.5 mm)
Internal Speakers	3W x 2

Power

Power Supply	External
Power Requirements	DC 12V, 5.0A
On Mode	26W (On)
Standby Mode	< 0.5W
Off Mode	< 0.3W

Operating Conditions

Temperature	5°C-35°C (41°F-95°F)
Humidity	20%-85% (non-condensing)

Storage Conditions

Temperature	-20°C-60°C (-4°F-140°F)
Humidity	5%-95% (non-condensing)

Mounting

VESA FPMPI	Yes (100 x 100 mm)
------------	--------------------

Stand

Tilt	-5° to 15°
------	------------

Security

Kensington Security Slot	Yes
--------------------------	-----

Dimensions

Product with Base (W x H x D)	728.8 x 540.3 x 236.7 mm (28.7" x 21.3" x 9.3")
Product w/o Base (W x H x D)	728.8 x 433.1 x 57.4 mm (28.7" x 17.1" x 2.2")
Packaging (W x H x D)	801.0 x 521.0 x 207.0 mm (31.5" x 20.5" x 8.1")

Weight

Product with Base	8.7 kg (19.2 lb)
Product w/o Base	5.5 kg (12.1 lb)
Packaging	10.2 kg (22.5 lb)

Regulation Approval

Certifications & Compliance	CE, LVD, WEEE, RoHS, REACH, EAC
Power Adaptor Certifications	CE, BSMI, CCC, WEEE, cUL, FCC, PSE, EN 60601-1

Accessories

Supplied	Power Adaptor, Power Cord, HDMI Cable, Quick Start Guide
----------	--

Optional Accessories

Ceiling Mount (Landscape only)	CMP-01 + LMK-02, CMP-01 + WMK-03
Wall Mount (Landscape only)	WMA-01, LMA-01, LMK-02, WMK-01, WMK-03, PMK-01
Desk Mount (Landscape only)	DMC-01, ES-02

