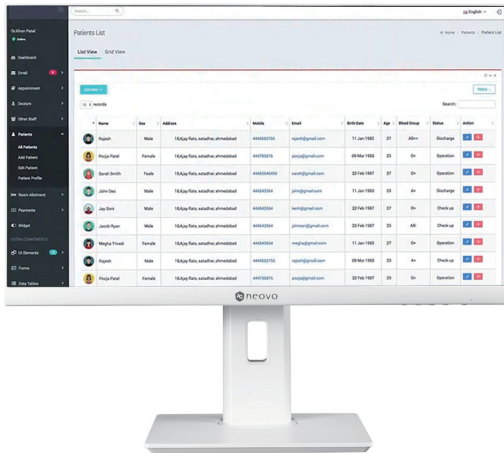


ME-2401 24" CLINICAL REVIEW MONITOR

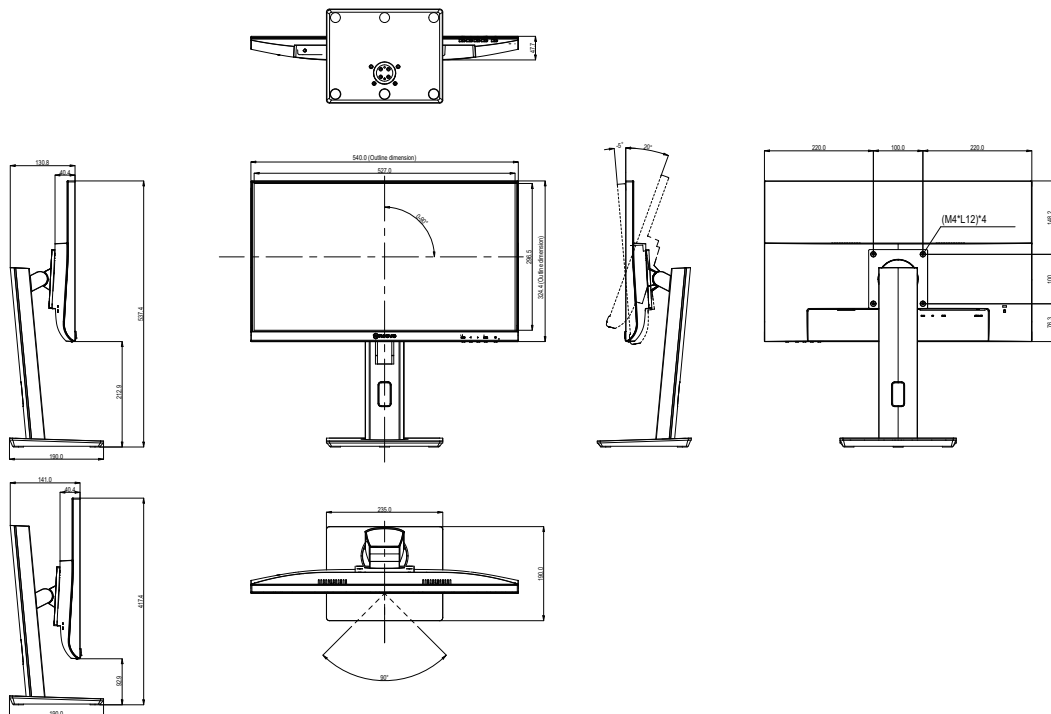
FEATURES

- Full HD 1920 x 1080 resolution
- Medical adaptor certified to IEC/EN 60601-1 medical standards
- Ergonomic stand design with tilt, pivot, swivel, and height adjustment
- HDMI and DisplayPort inputs with integrated dual speakers
- VESA mounting suitable for flexible installation in healthcare settings.



Introducing the ME-2401, a 24" clinical review monitor thoughtfully crafted to revolutionise document scrutiny in clinics. Every meticulous detail is accentuated, enhancing patient record evaluations. Beyond its crisp display, the monitor champions safety with its IEC/EN 60601 certified power adaptor. Its sophisticated ergonomic design, combined with VESA mounting compatibility, promises versatility – from a traditional desk setup to the hustle and bustle of medical trolleys.

TECHNICAL DRAWING



SPECIFICATIONS

Panel

Panel Type	LED-Backlit TFT LCD (IPS Technology)
Panel Size	23.8"
Max. Resolution	FHD 1920 x 1080
Pixel Pitch	0.275 mm
Brightness	250 cd/m ²
Contrast Ratio	20,000,000 (DCR)
Viewing Angle (H/V)	178°/178°
Display Colour	16.7M
Response Time	5 ms
Surface Treatment	Anti-Glare Treatment (Haze25%), 3H Hard Coating

Frequency

Frequency (H)	30 kHz-80 KHz
Frequency (V)	56 Hz-75 Hz

Signal Input

DisplayPort	x 1
HDMI	1.4 x 1

Audio

Audio Out	Stereo Audio Jack (3.5 mm)
Internal Speakers	2W x 2

Power

Power Supply	External
Power Requirements	DC 12V, 5.0A
On Mode	18W (On)
Stand-by Mode	< 0.5W
Off Mode	< 0.3W

Operating Conditions

Temperature	0°C-40°C (32°F-104°F)
Humidity	10%-85% (non-condensing)

Storage Conditions

Temperature	-20°C-60°C (-4°F-140°F)
Humidity	5%-95% (non-condensing)

Mounting

VESA FPM PMI	Yes (100 x 100 mm)
--------------	--------------------

Stand

Tilt	-5° to 20°
Pivot	0° to 90°
Swivel	± 45°
Height Adjustment	0-120 mm

Security

Kensington Security Slot	Yes
--------------------------	-----

Dimensions

Product with Base (W x H x D)	540.0x 537.4 x 190.0 mm (21.3" x 21.2" x 7.5")
Product w/o Base (W x H x D)	540.0x 324.4 x 48.6mm (21.3" x 12.8" x 1.9")
Packaging (W x H x D)	654.0x 407.0 x 182.0mm (25.7" x 16.0" x 7.2")

Weight

Product with Base	5.0 kg (11.02 lb)
Product w/o Base	3.0 kg (6.61 lb)
Packaging	7.1 kg (15.65 lb)

Regulation Approval

Certifications & Compliance	CE, UKCA, LVD, WEEE, RoHS, REACH, EAC
Power Adaptor Certifications	CE, BSMI, CCC, WEEE, cUL, FCC, PSE, EN 60601-1

Accessories

Supplied	Power Adaptor, Power Cord, HDMI Cable, Quick Start Guide
----------	--

Optional Accessories

Ceiling Mount	CMP-01 + WMK-03
Wall Mount	WMA-01, WMK-01, WMK-03, PMK-01
Desk Mount	DMC-01, DMC-02D, DMS-01D, ES-02

