

LS951WU Series

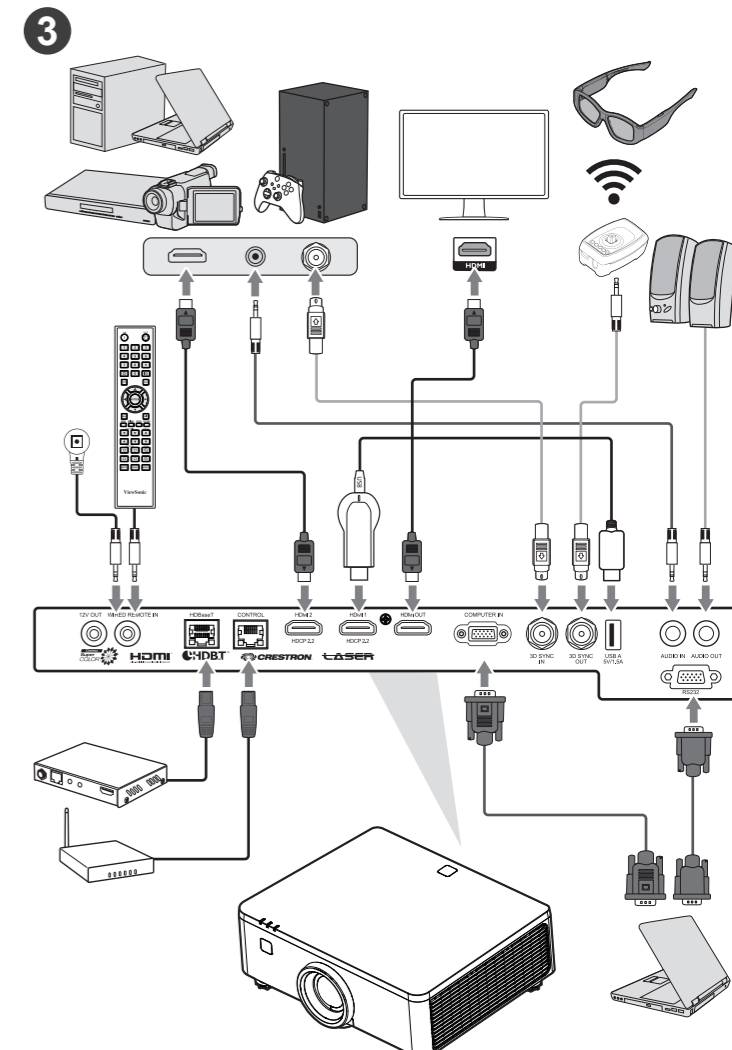
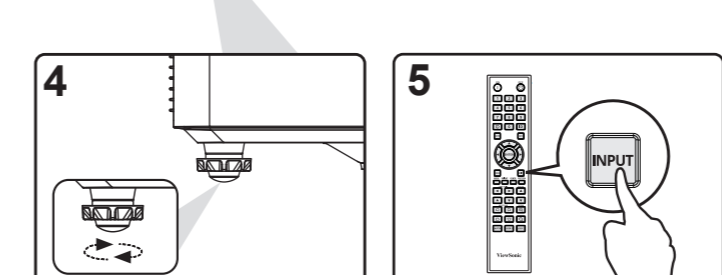
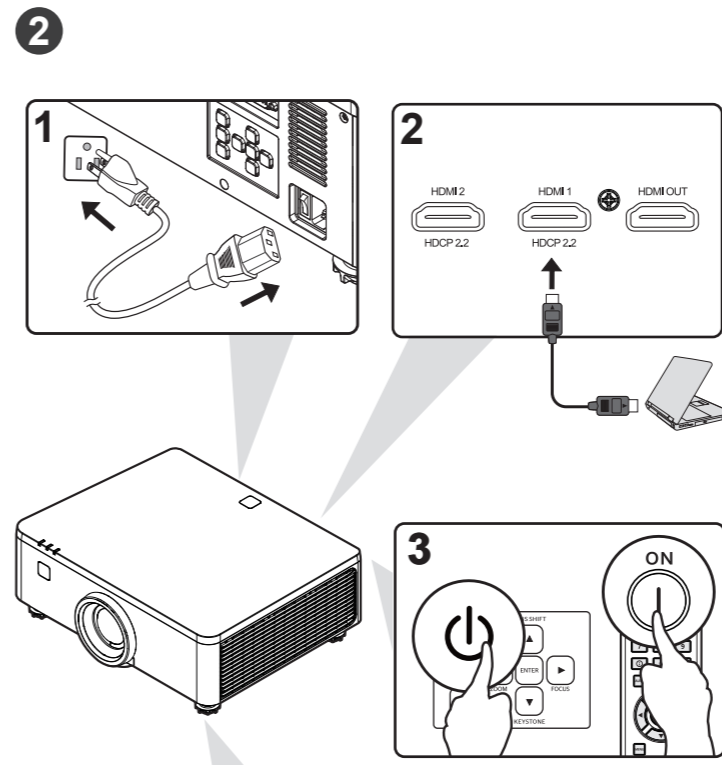
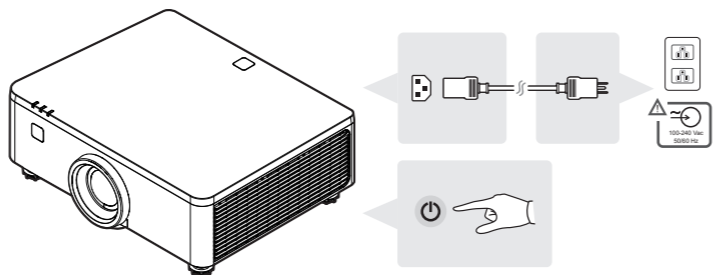
DLP Projector

Quick Start Guide

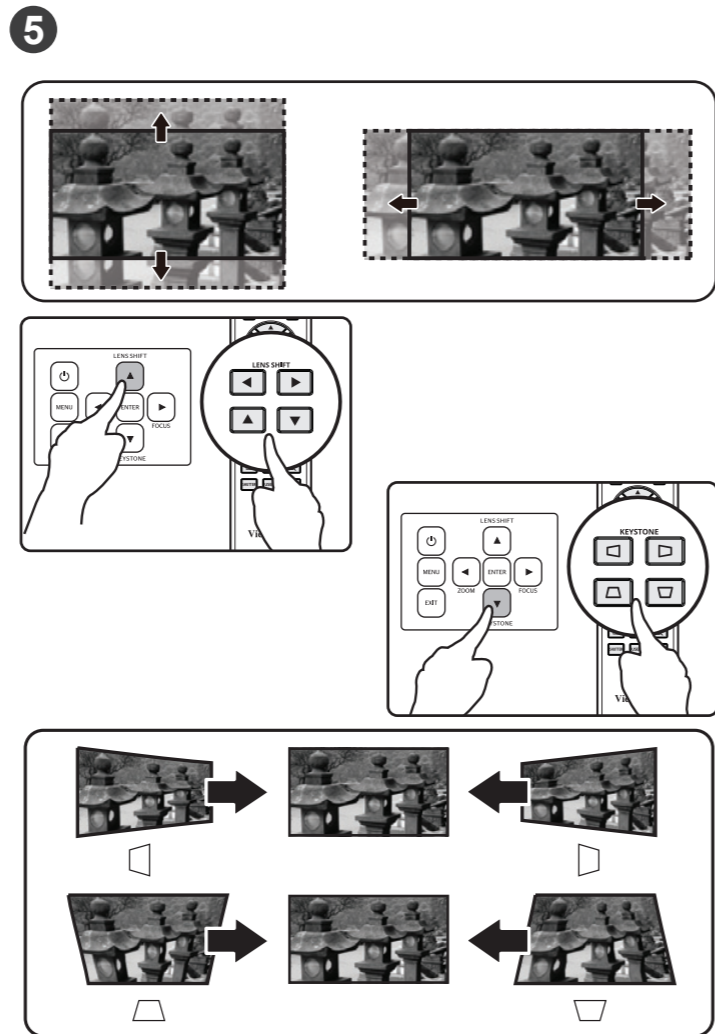
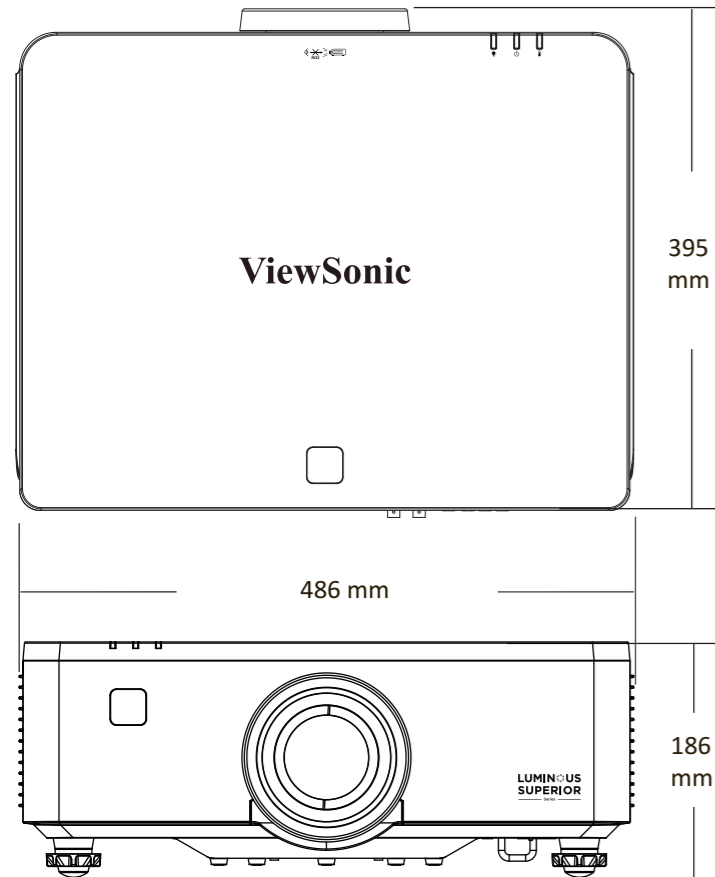
快速安装说明
快速入門指南
빠른 시작 가이드
クイックスタートガイド
Ръководство за бърз старт
Vodič za brzo pokretanje
Úvodní příručka
Aan de slag
Pika-aloitusopas
Guide de démarrage rapide
Schnellstarthandbuch
Οδηγός γρήγορης εκκίνησης
Első lépések
Guida introduttiva

Przewodnik Szybki start

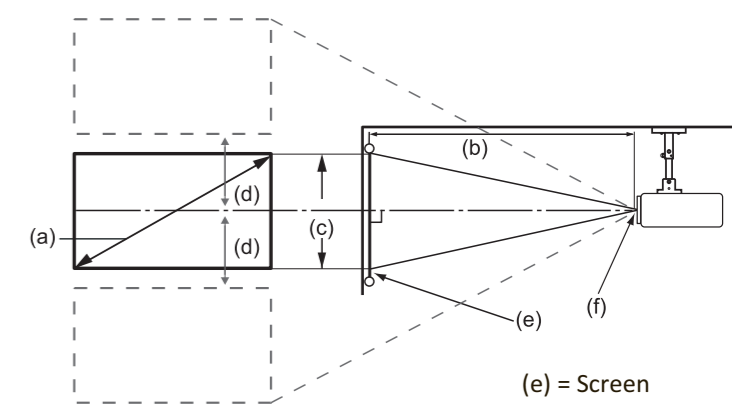
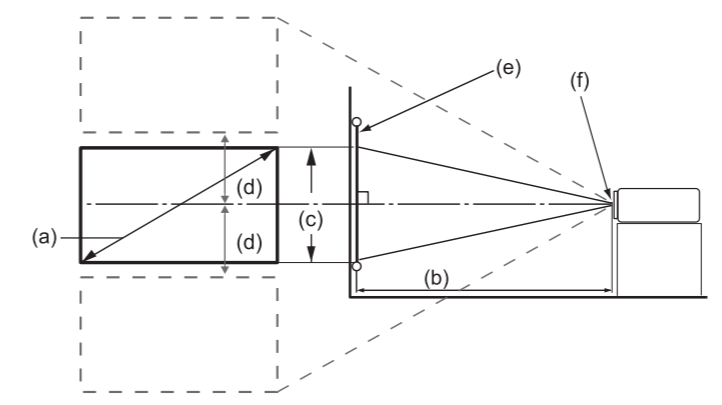
Guia de Inicio Rápido
Ghid de pornire rapidă
краткое руководство по началу работы
Vodič za brzi početak
Priručka so stručným návodom
Vodnik za hitri začetek
Guía de inicio rápido
Snabbstartsguide
Hızlı Başlangıç Kılavuzu
короткий посібник користувача
Panduan Mulai Cepat
دليل البدء السريع



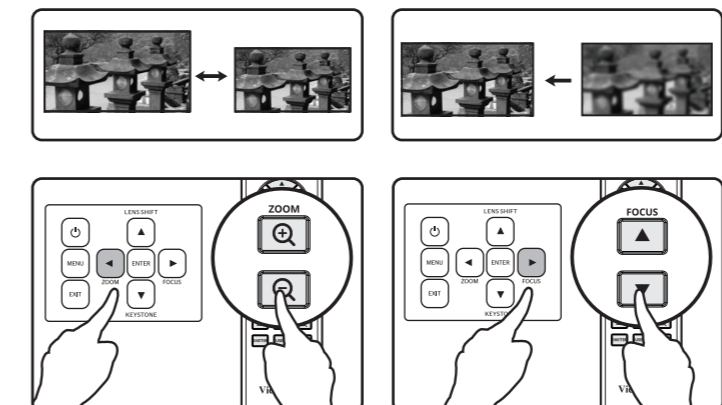
4 Mounting Screw: M4 x 8 (Max. L = 8 mm)
Unit: mm



6 •16:10 image on a 16:10 screen



(e) = Screen
(f) = Center of Lens



(a) Screen Size		16:10 Image on a 16:10 Screen							
		(b) Projection distance				(c) Image height		(d) Vertical offset	
inch	mm	min. inch	min. mm	max. inch	max. mm	min. inch	min. mm	max. inch	max. mm
50	1270	31.89	810	40.39	1026	26.50	673	13.25	337
60	1524	38.09	968	48.25	1226	31.72	806	15.86	403
70	1778	44.59	1133	56.48	1435	37.14	943	18.57	472
80	2032	50.79	1290	64.33	1634	42.36	1076	21.18	538
90	2286	57.28	1455	72.56	1843	47.78	1214	23.89	607
100	2540	63.48	1613	80.41	2043	53.00	1346	26.50	673
120	3048	76.48	1943	96.87	2461	63.64	1616	31.82	808
150	3810	95.37	2423	120.81	3069	79.50	2019	39.75	1010
180	4572	114.57	2910	145.12	3686	95.36	2422	47.68	1211
200	5080	127.26	3233	161.20	4095	106.00	2692	53.00	1346
250	6350	158.86	4035	201.22	5111	132.50	3365	66.25	1683
300	7620	190.75	4845	241.61	6137	159.00	4039	79.50	2019

It is recommended that if you intend to permanently install the projector, please physically test the projection size and distance using the actual projector in situ before you permanently install it.

