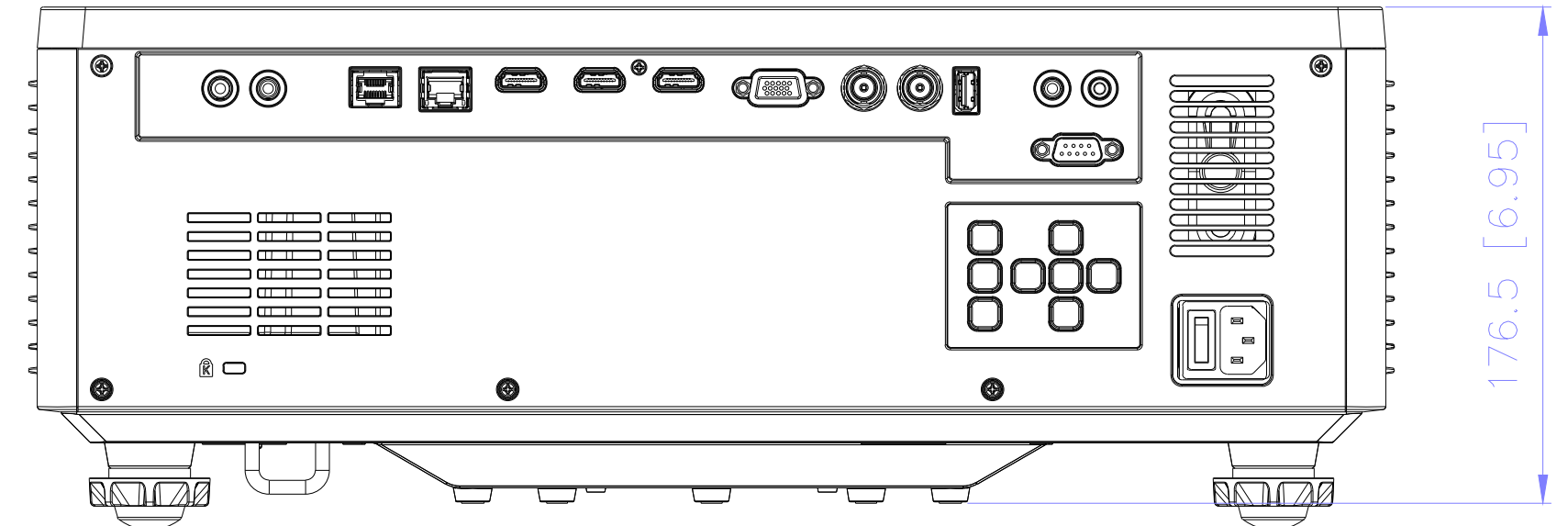


Screw holes for ceiling mount
Screw SPEC: M4 x L8, 4pcs



| TOLERANCE UNLESS OTHERWISE SPECIFIED (±) | | | | | | |
|--|------|------|------|-----|-----|-----|
| CLASS | A | B | C | D | E | F |
| < 8mm | 0.05 | 0.1 | 0.15 | 0.2 | 0.3 | 0.4 |
| 8~25mm | 0.08 | 0.15 | 0.2 | 0.3 | 0.4 | 0.6 |
| 25~80mm | 0.12 | 0.2 | 0.25 | 0.4 | 0.5 | 0.8 |
| 80~250mm | 0.25 | 0.3 | 0.4 | 0.6 | 0.8 | 1.2 |
| 250~800mm | 0.5 | 0.6 | 0.8 | 1.0 | 1.5 | 2.0 |
| > 800mm | 1.0 | 1.0 | 1.5 | 1.7 | 3.0 | 4.0 |



NAME : LS950WU

| TITLE | PART NO. | Rev. |
|-----------|----------|----------|
| SCALE | UNIT | MATERIAL |
| mm / inch | FINISH | |
| | | 1 OF 1 |