

50" 4K UHD professional digital signage display with advanced control and connectivity options

Elevate your visual communication with the LH5060UHS-B1AG and unlock the new possibilities for your business. This 500cd/m² high brightness display is a powerful business tool that takes your marketing and communication efforts to the next level. With its Android 11 OS, [iiSignage²](#) content management software, Signal FailOver and [EShare](#) features, this display offers a straightforward user experience, making content creation, management, and sharing a breeze.

This ELED IPS display consumes significantly less power compared to DLED IPS while maintaining the same level of brightness. Its versatile orientation, sleek design, and 24/7 reliability ensure it seamlessly integrates into any business environment. Whether it's used in retail, corporate, hospitality, or educational settings, the LH5060UHS-B1AG will undoubtedly captivate your audience and leave a lasting impression.



Android OS

Thanks to Android OS, you can easily customize the display to your needs by installing applications directly to it.



iiSignage²

iiSignage² is our digital signage content management platform to easily show and control your content and to manage your displays in a secure way. The Content Management System (CMS) gives you total control of your messaging and advertising remotely and safely.

01 DISPLAY CHARACTERISTICS

Design	Thin bezel
Diagonal	49.5", 125.7cm
Panel	IPS, AG coated glass, matte finish, hard coating (3H), haze 25%
Native resolution	3840 x 2160 @60Hz (8.3 MegaPixels 4K UHD)
Aspect ratio	16:9
Panel brightness	500 cd/m ²
Static contrast	1200:1
Response time (GTG)	8ms
Viewing zone	horizontal/vertical: 178°/178°, right/left: 89°/89°, up/down: 89°/89°
Colour support	1.07G (8 Bits+FRC) (NTSC 87%)
Horizontal Sync	28 - 160kHz
Viewable area W x H	1095.8 x 616mm, 43.1 x 24.3"
Bezel width (sides, top, bottom)	10.6mm, 10.6mm, 15.5mm
Pixel pitch	0.285mm
Bezel colour and finish	black, matte

02 INTERFACES / CONNECTORS / CONTROLS

Digital signal input	HDMI x3 (v.2.0, max. 3840x2160 @60Hz)
Monitor control input	RS-232c x1 (2.5mm sub-mini jack) RJ45 (LAN) x1 IR x1 (3.5mm stereo mini)
Audio output	Mini jack x1 Speakers 2 x 10W
HDCP	v.1.4 & 2.2
USB ports	x2 (v.2.0)

03 FEATURES

Integrated software	Android 11 OS, iiSignage ² , FailOver, EShare
WiFi	yes (Built-in, 802.11ac)
Hardware	CPU: A53*4, GPU: G52 MP2, RAM: 2GB, ROM: 16GB
Extra	Wall mounting kit included (VESA 400x300mm)
Max. non-stop operating time	24/7
Anti image retention	yes
Media playback	yes
Housing (bezel)	metal (front)

04 GENERAL

OSD languages	EN, DE, FR, ES, IT, CN, RU, JP, CZ, NL, PL, SV, FI, DA, NB
Control buttons	Power button, Power Indicator, Remote Sensor

User controls

picture (brightness, contrast, sharpness, black level, tint, colour, noise reduction, gamma selection, colour temperature, colour control, over scan, picture reset), screen (zoom mode, custom zoom, screen reset), Audio (balance, treble, bass, volume, audio out, maximum volume, minimum volume, mute, audio out sync, speaker setting, audio reset), configuration 1 (switch on state, panel saving, RS232-routing, boot on source, WOL, configuration 1 reset, factory reset), Configuration 2 (OSD timeout, OSD H-Position, OSD V-position, system rotation, information OSD, logo and animation logo setting, animation setting, monitor ID, monitor information, HDMI version, configuration 2 reset), advanced option (IR control, off timer, schedule, HDMI with one wire, HDMI with one wire power off, FailOver, language, OSD transparency, power saving, advanced option reset), Android settings (network & internet, apps & notifications, display, signage display, security, language & input, date & time, about device)

Plug&Play

DDC2B

05 MECHANICAL

Orientation landscape, portrait

Fanless design yes

VESA mounting 400 x 300mm

Operation temperature range 0°C - 40°C

Storage temperature range - 20°C - 60°C

MTBF 50.000 hours (excluding backlight)

06 ACCESSORIES INCLUDED

Cables power, HDMI, RS-232c

Guides quick start guide, safety guide

Other Wall mount bracket, Wall mount guide, Screws, Screw anchors, Stickers for screw holes

Remote control yes (batteries included)

07 POWER MANAGEMENT

Power supply unit internal

Power supply AC 100 - 240V, 50/60Hz

Power usage 95W typical, 0.5W stand by, 0.3W off mode

08 SUSTAINABILITY

Regulations CB, CE, TÜV-Bauart, EAC, RoHS support, ErP, WEEE, REACH, UKCA

Energy efficiency class (Regulation (EU) 2017/1369) G

09 DIMENSIONS / WEIGHT

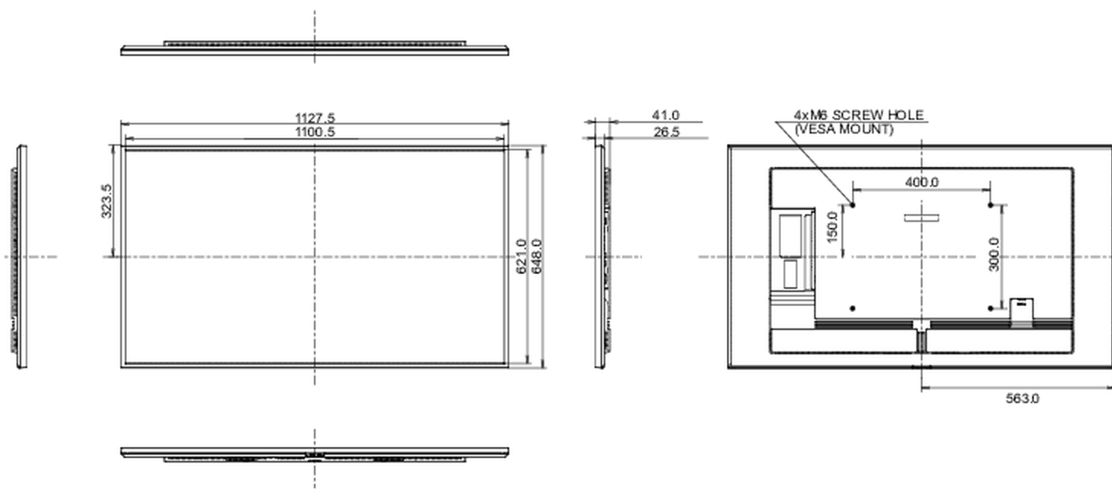
Product dimensions W x H x D 1127.5 x 648 x 41mm

Box dimensions W x H x D 1250 x 760 x 128mm

Weight (without box) 12.6kg

Weight (with box) 16.8kg

EAN code 4948570124091



All trademarks and registered trademarks acknowledged. E & O E. Specification subject to change without notice. All LCD's comply with ISO-9241-307:2008 in connection with pixel defects.

© IYAMA CORPORATION. ALL RIGHTS RESERVED