



### 32" Full HD Professional Digital Signage 24/7 display featuring Android OS and FailOver

Choose non-stop high performance and reliability with the ideal all-in-one signage solution for mission critical environments. The LH3275HS from iiyama can be operated in landscape or portrait orientation in continual around the clock environments, 24/7 without any interruption. Its versatility can be adapted to your industry's display needs. On-board Android 11 OS means you can easily customize the display to your needs and install applications directly to it.

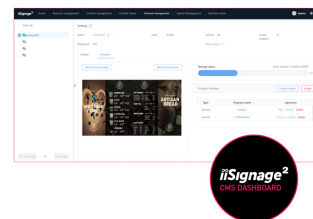
The on-board [iiSignage²](#) (Content Management System) gives you total control of your messaging and advertising remotely and safely. The FailOver feature ensures your content is always actively displayed through your choice of inputs. The built-in (and removable) WiFi module means this series is ready for remote content delivery using your network.

With the [EShare app](#) you bring effortless ideation and efficient collaboration in your enterprise or school. You can start sharing wirelessly easier than ever before.



Android OS

Thanks to Android OS, you can easily customize the display to your needs by installing applications directly to it.



iiSignage²

iiSignage² is our digital signage content management platform to easily show and control your content and to manage your displays in a secure way. The Content Management System (CMS) gives you total control of your messaging and advertising remotely and safely.

## 01 DISPLAY CHARACTERISTICS

Design	Thin bezel
Diagonal	31.5", 80cm
Panel	IPS, AG coated glass, matte finish, haze 25%
Native resolution	1920 x 1080 @60Hz (2.1 Megapixels, Full HD)
Aspect ratio	16:9
Panel brightness	500 cd/m <sup>2</sup>
Static contrast	1200:1
Response time (GTG)	8ms
Viewing zone	horizontal/vertical: 178°/178°, right/left: 89°/89°, up/down: 89°/89°
Colour support	16.7mIn (NTSC 72%)
Horizontal Sync	28 - 160kHz
Viewable area W x H	698.4 x 392.85mm, 27.5 x 15.5"
Bezel width (sides, top, bottom)	11.9mm, 11.9mm, 11.9mm
Pixel pitch	0.364mm
Bezel colour and finish	black, matte

## 02 INTERFACES / CONNECTORS / CONTROLS

Digital signal input	HDMI x2 (v.2.0, max. 1920x1080 @60Hz, ARC on HDMI #2) DisplayPort x1 (v.1.2, max. 1920x1080 @60Hz)
Monitor control input	RS-232c x1 (2.5mm sub-mini jack) RJ45 (LAN) x1
Audio output	Mini jack x1 Speakers 2 x 10W
HDCP	v.2.2
USB ports	x2 (v.2.0)

## 03 FEATURES

Integrated software	Android 11 OS, iiSignage2, FailOver, EShare
WiFi	yes (Built-in, 802.11ac)
Hardware	CPU: A73*4+A53*4, GPU: G52 MP8, RAM: 4GB, ROM: 32GB
Max. non-stop operating time	24/7
Anti image retention	yes
Media playback	yes
Housing (bezel)	metal

## 04 GENERAL

OSD languages	EN, DE, FR, ES, IT, CN, RU, JP, CZ, NL, PL, SV, FI, DA, NB
Control buttons	Power

## User controls

picture (brightness, contrast, sharpness, black level, tint, colour, noise reduction, gamma selection, colour temperature, colour control, picture reset), screen (zoom mode, custom zoom, screen reset), audio (balance, treble, bass, volume, audio out, maximum volume, minimum volume, mute, audio reset, audio out sync, speaker setting), configuration 1 (Android launcher, switch on state, panel saving, RS232-routing, boot on source, WOL, configuration 1 reset, factory reset), Configuration 2 (OSD timeout, OSD H-Position, OSD V-position, system rotation, information OSD, logo and animation, logo setting, animation setting, monitor ID, Group ID, monitor information, HDMI version, configuration 2 reset), advanced option (no signal image, IR control, power LED light, off timer, schedule, HDMI with one wire, HDMI with one wire power off, FailOver, language, OSD transparency, power saving, auto power off, SDM settings, advanced option reset)

## Plug&Play

DDC2B

## 05 MECHANICAL

### Orientation

landscape, portrait

### Fanless design

yes

### VESA mounting

200 x 200mm

### Operation temperature range

0°C - 40°C

### Storage temperature range

- 20°C - 60°C

### MTBF

44.000 hours (excluding backlight)

## 06 ACCESSORIES INCLUDED

### Cables

power, HDMI, RS-232c

### Guides

quick start guide, safety guide

### Other

Stickers for screw holes, AC switch cover, screw, cable clips

### Remote control

yes (batteries included)

## 07 POWER MANAGEMENT

### Power supply unit

internal

### Power supply

AC 100 - 240V, 50/60Hz

### Power usage

46W typical, 0.5W stand by, 0.3W off mode

## 08 SUSTAINABILITY

### Regulations

CE, TÜV-Bauart, RoHS support, ErP, WEEE, REACH, UKCA

### Energy efficiency class (Regulation (EU) 2017/1369)

G

## 09 DIMENSIONS / WEIGHT

### Product dimensions W x H x D

725.5 x 421.8 x 54mm

### Box dimensions W x H x D

824 x 554 x 119mm

### Weight (without box)

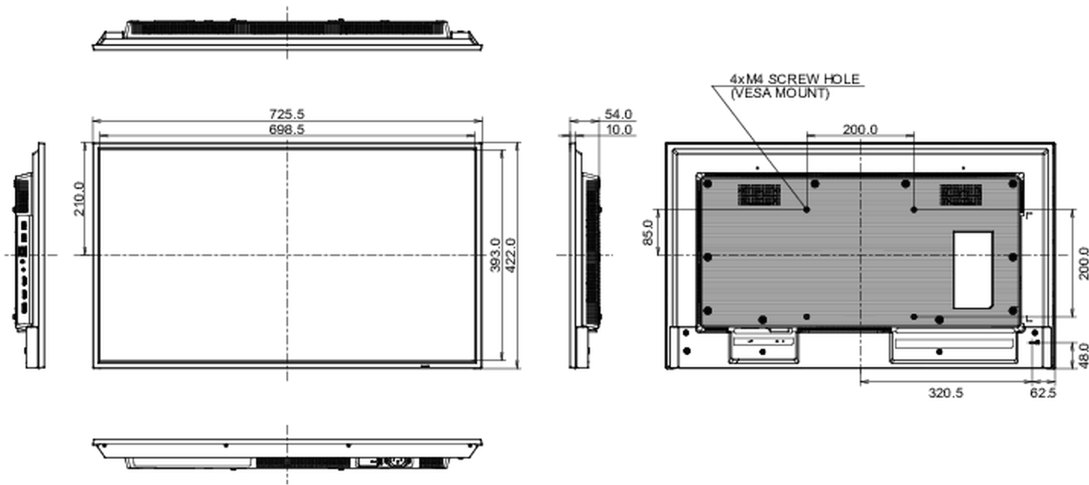
5.2kg

### Weight (with box)

7.3kg

### EAN code

4948570124220



All trademarks and registered trademarks acknowledged. E & O E. Specification subject to change without notice. All LCD's comply with ISO-9241-307:2008 in connection with pixel defects.

© IYAMA CORPORATION. ALL RIGHTS RESERVED