



VIEWBOARD

ViewBoard IFP55G1

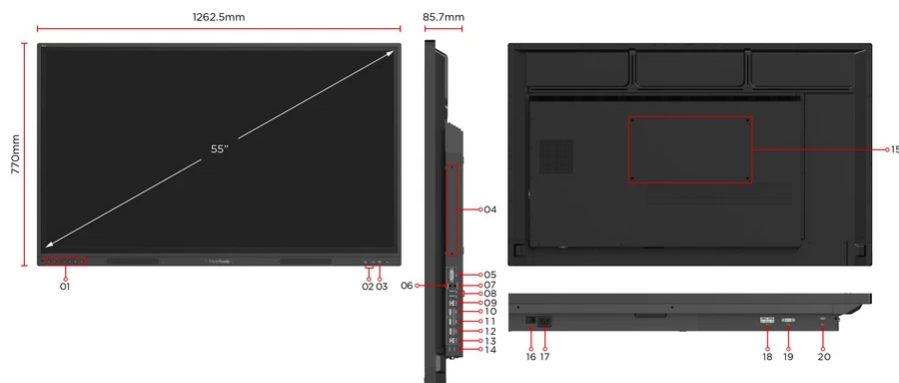
Key Features

- Bring Your Own OS interactive flat panel for versatile use in any scenario
- Seamless USB-C plug-and-play connectivity for convenient presentations
- 65W charging of peripheral devices, ensuring uninterrupted presentations
- Flexible integration with slot-in PCs, supporting Windows, Linux, and Android OS



Product Description

Elevate collaboration and productivity with the ViewBoard IFP55G1 Series. Engineered without a native OS, it effortlessly connects with laptops, desktops, and mobile devices through its USB-C port, ensuring smooth and effortless large-screen presentations. Going beyond, it adapts to a range of technological preferences by fully integrating with slot-in PCs, enabling flexible workflows across Android, Windows, and Linux operating systems. Whether your organization utilizes the Google Workspace suite or prefers Microsoft 365, its adaptability shines in any scenario, in any environment.



1. Menu Controls
2. USB 3.0 X 2
3. USB 2.0
4. OPS Slot
5. VGA

8. USB 3.0 X 2
9. Touch 1
10. HDMI 1
11. HDMI 2
12. HDMI 3

15. VESA® Wall Mount 600 x 200mm
16. Power On/OFF
17. AC IN
18. RS232
19. USB 2.0(FW update)

6. Audio In
7. Audio Out

13. Touch 2
14. USB Type-C

Visit Us www.viewsonic.com



DISPLAY

Panel Size:	55"
Panel Type:	TFT LCD Module with DLED Backlight
Display Area (mm):	1209.6(H) x 680.4 (V)
Aspect Ratio:	16:9
Resolution:	UHD 3840x2160
Colors:	1.07B colors (8bit+FRC)
Brightness:	450nits
Contrast Ratio:	1200:1 (typ.) 6000:1 (DCR)
Response Time:	8ms
Viewing Angles:	H = 178, V = 178 typ.
Backlight Life:	50,000 hours (Min)
Surface Treatment:	Hardness: 9H, Anti-glare coating
Bezel:	Slim
Orientation:	Landscape

TOUCH

Type/ Tech:	Ultra Fine Touch Technology (IR Recognition)
Touch Resolution:	32767 × 32767
Touch Point:	Windows: 40 points of touch, Android : 20 points of touch

INPUT

HDMI:	Rear 2.0 x 3 (HDMI 1 & 3 Support CEC; HDMI 2 Supports CEC & ARC)
RGB / VGA:	x1
Audio:	x1
RS232:	x1
OPS:	x1

OUTPUT

Audio:	x1
--------	----

LAN

RJ45:	1 in 1 out
-------	------------

USB

Type A:	Front x3(USB2.0x1, USB3.0x2) Rear x3(USB3.0x2, 2.0 x1 for FW update)
Type B:	Rear x2 (USB 3.0x2)
Type C:	x1 (DP 1.2, Touch, Data Sharing, PD65W, Ethernet 10M/100M)

SPEAKERS

15Wx2

TOP CAMERA PLATE

Yes

COMPATIBILITY

HDMI:	3840x2160 @ 60Hz
-------	------------------

SPECIAL FEATURES

All-in-one USB port:	"SmartPort™ USB" to all channels.
----------------------	-----------------------------------

POWER

Voltage:	100-240VAC +/- 10% Wide Range
Consumption:	On:90.23W Off mode <0.5W

ERGONOMICS

Wall Mount (VESA®):	400mm x 200 mm
---------------------	----------------

OPERATING CONDITIONS

Temperature (° C):	0°C to 40°C
Humidity:	20% ~ 80% RH non-condensing

DIMENSIONS (W X H X D)

Physical (inch / mm):	49.7 x 30.3 x 3.37 in / 1262.5 x 770 x 85.7 mm
Packaging (inch / mm):	54.8 x 34.1 x 8.7 in / 1392 x 867 x 220 mm

WEIGHT

Net (lb / kg):	59.30lb/26.90kg
Gross (lb / kg):	78.04lb/35.40kg

REGULATIONS

US NRTL w/ CA,FCC/ICES003, DOE Energy Star,DOE EPEAT, CE EMC, LVD or CB, RoHS Green BOM & RoHS DoC, ErP, REACH SVHC List & DoC, EEL, WEEE, GOST-R / EAC, FF,LBL, ErP-Eco,SCIP,Annex I,Annex II,TPCH DoC,Packing waste,CA65 DoC

PACKAGE CONTENTS

1. 3m power cable
2. HDMI 2.0 cable 3m x 1 (HDMI LA certified)
3. Remote control with AAA battery (Opt.)
4. 3m USB 2.0 touch cable x 1
5. Touch pen (Passive pen) x 2 (VB-PEN-002)
6. Quick Start Guide + Compliance Statement
7. RS232 adapter
8. Screw (wall mount 4)
9. Camera Plate

COMPATIBLE SLOT-IN PC

VPC-A31-O1/VPC35-W53-G1/VPC37-W53-G1

Simple LAN sharing between IFP and slot-in device:	10/100/1000M (USB Type-C 10M/100M, OPS 1000M)
--	---

Light Sensor:	Yes
---------------	-----

Copyright © ViewSonic Corporation 2000-2024. All rights reserved.

