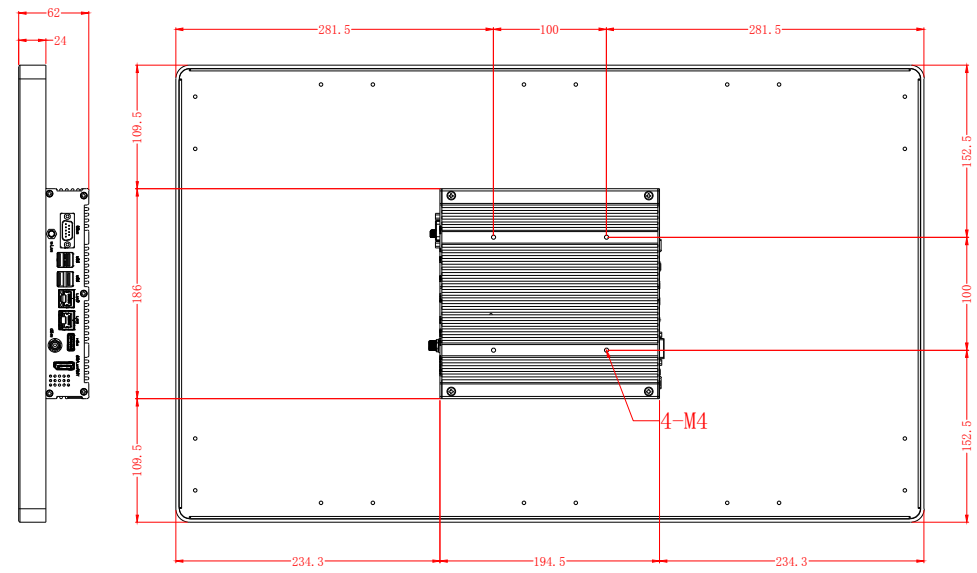
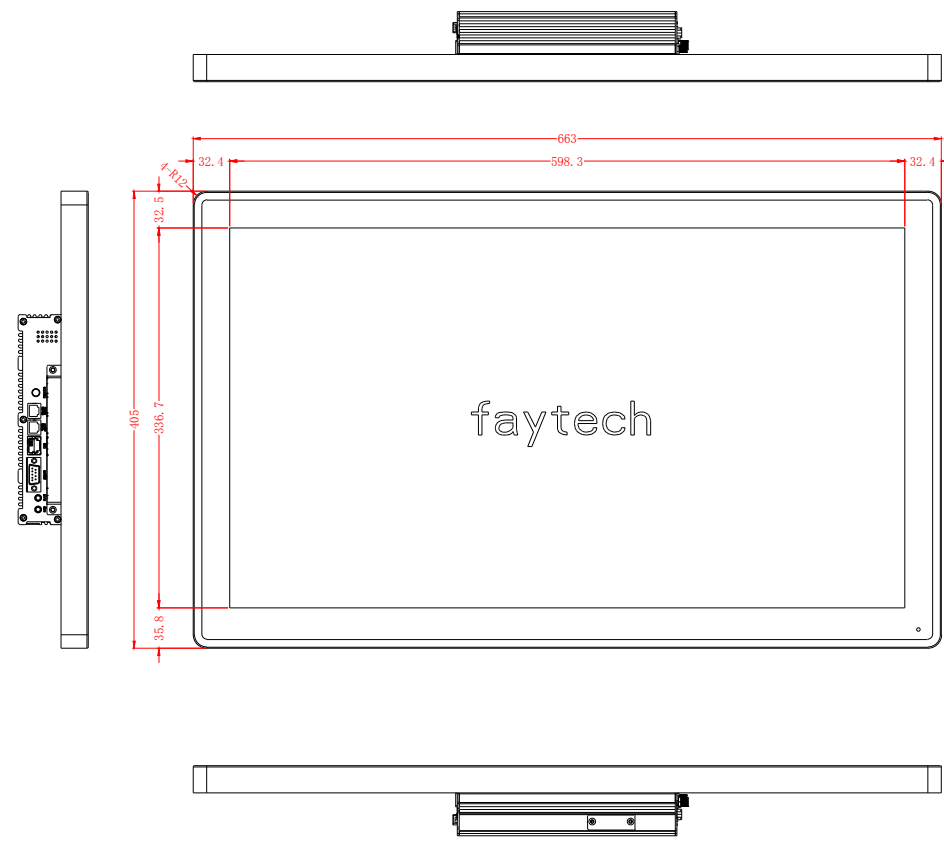

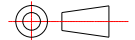


| 6   |      | 7               |  | 8    |  |
|-----|------|-----------------|--|------|--|
| No. | Rev. | Revision Record |  | Date |  |
| △   |      |                 |  |      |  |
|     |      |                 |  |      |  |
|     |      |                 |  |      |  |



Tolerance:  $\pm 1MM$

|   |             |  |      |                          |            |
|---|-------------|--|------|--------------------------|------------|
| General Tolerance   | ISO 2768-1c |  深圳市飞帆泰科技有限公司<br>SHENZHEN FEIFANTAI TECHNOLOGY CO., LTD |      |                          |            |
| UNIT  | mm          | Description  |      | 27inch-N4200(带一体座子EDP副板) |            |
| Scale   | 1:1         | Designed   | Noah | Date                     | 2020-09-17 |
| REV.  | A0          | Checked  |      | Date                     |            |
|  |             | Approved   |      | Date                     |            |