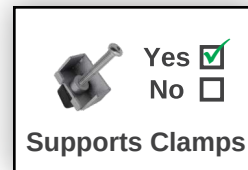


# 21.5" Open Frame Capacitive Touch Monitor

FT215TMCAPOFHBOB



- 1.1mm cover glass with 7H surface hardness
- Optically bonded Touch Panel to LCD Panel
- Anti-glare surface treatment (chemical etching)
- 10-Finger-Multi Touch Capacitive Touch Panel
- A+ quality LED backlight panels with 100k hours lifetime
- 1000+ cd/m<sup>2</sup> brightness
- Integrated audio speakers (2x2w)
- 2 year guarantee (24/7 operation)

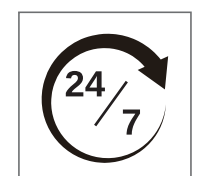
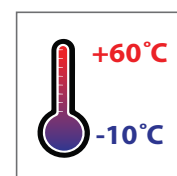
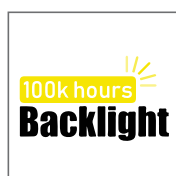


faytech's Open Frame Capacitive Touch Monitors are the perfect choice for industrial and business applications. The capacitive 10-finger multitouch panel brings an easy using experience for a wide range of applications. Each model in this series is built for reliable and extended service by using an A+ quality HD LCD panel with energy efficient LED technology. It is equipped with a wide range of standard connectors, such as HDMI, DP, VGA, USB-Touch, serial and DC-In.

This device has an optically bonded touch panel, which will improve the stability, reduce the reflection, increase the viewing angle, and enhance the perceived brightness. It also provides resistance to dust particles and shows a better image in general. This open frame version is a light weight model without any back case, which makes it perfect for integrating into your own system or mount at different locations.

It is the perfect interactive solution for digital signage, classrooms, meeting rooms, industrial automation, shopping malls, hotels and many other areas.

Legend / Notes	
Applicable to version 1	(v1)
Applicable to version 2	(v2)
Applicable to version 3	(v3)
Applicable to all Versions	None



<b>Product name</b>				<b>21.5" Open Frame Capacitive Touch Monitor</b>			
<b>Article code / EAN number</b>				<b>FT215TMCAPOFHBOB / 6920734022120</b>			
Global Article Code	European Article Code	Release date (DIMY)	Version*	Global Article Code	European Article Code	Release date (DIMY)	Version*
3030502559	1010501664	01/04/2020	v1				
3030509486	1010502338	02/12/2021	v2				
3030510560	1010502422	02/05/2022	v3				

<b>IP Rating</b>	
IP65 Front / IP40 Back	

<b>LCD Panel</b>	
Screen diagonal (Inch/cm)	21.5/54.69
Display active screen size (cm)	47.70×26.80
Aspect ratio	16:9
Physical resolution	1920×1080
Maximum showable resolution	1920×1200
Colours displayed	16.7M
Brightness (cd/m <sup>2</sup> )	1000
Contrast	1000:1
Typical reaction time Tr/ Tf (ms)	7/7
Visual Angle horizontal/vertical (°)	178/178
Backlight / Backlight Lifetime (hours)	LED / 100,000

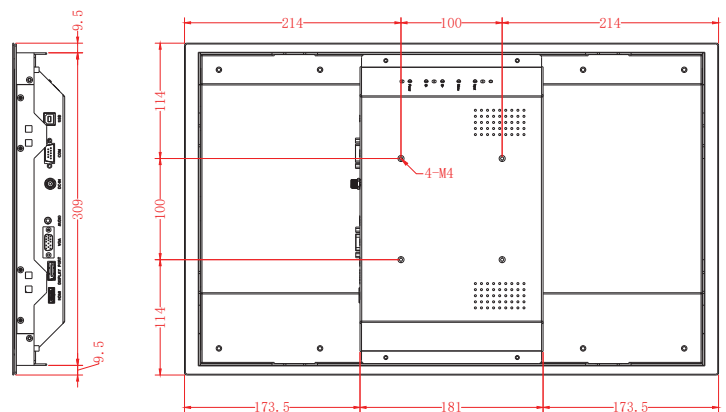
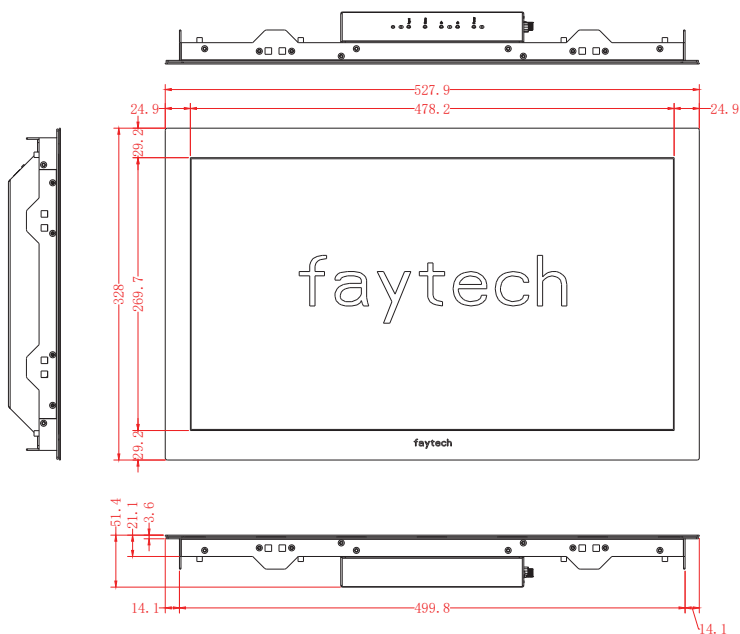
<b>External Connectors</b>	
Video	1x HDMI 1.3 (incl. HDCP)
	1x DP (v3)
	1x VGA
	1x DVI-D (v1) (v2)
Audio	1x PC-Audio
Touch Connector	1x USB
Connectors	1x 12V DC-In (screwable)

<b>Touch Panel</b>	
Touch Technology	Projected Capacitive 10-point Multitouch
Touch Panel Drivers	Windows; Linux; Mac; Android
Touch Life (Contacts)	Unlimited
Surface Hardness	7H
Surface Treatment	Anti-glare (chemical etching)
Glass Strengthening	Chemically Strengthened

<b>Operation / Mechanical</b>	
Operating Temperature (°C)	-10 ~ +60
Humidity Range (RH)	10% - 90%
Net weight (kg)	5.00
Gross weight (kg)	7.30 (incl. cartonage)
Housing material	Aluminum
Housing (mm) L × W × H	527.9 × 328.0 × 51.1 (v3)
Cut-out for clamp supports (mm) L × H	506.0 × 314.0
Max. wall thickness for clamp supports (mm)	5.0
Amount of clamps required	8
(optional) Tape length required (mm)	1660.0 (2× 516.0 + 2× 314.0)
(optional) Amount of glue required (ml)	8.30
Mounting	VESA 100

<b>Power</b>	
Power Supply	100-240V ACDC active switching; 12V DC-Out
Working Power (V)	12
Power Consumption (W)	50
Stand-By Consumption (W)	<1

<b>Included in the Delivery</b>	
Power Supply (see Power section)	
Short Installation Manual	
HDMI Cable	
USB Cable	



Tolerance: ±1.0mm

## Update Notes:

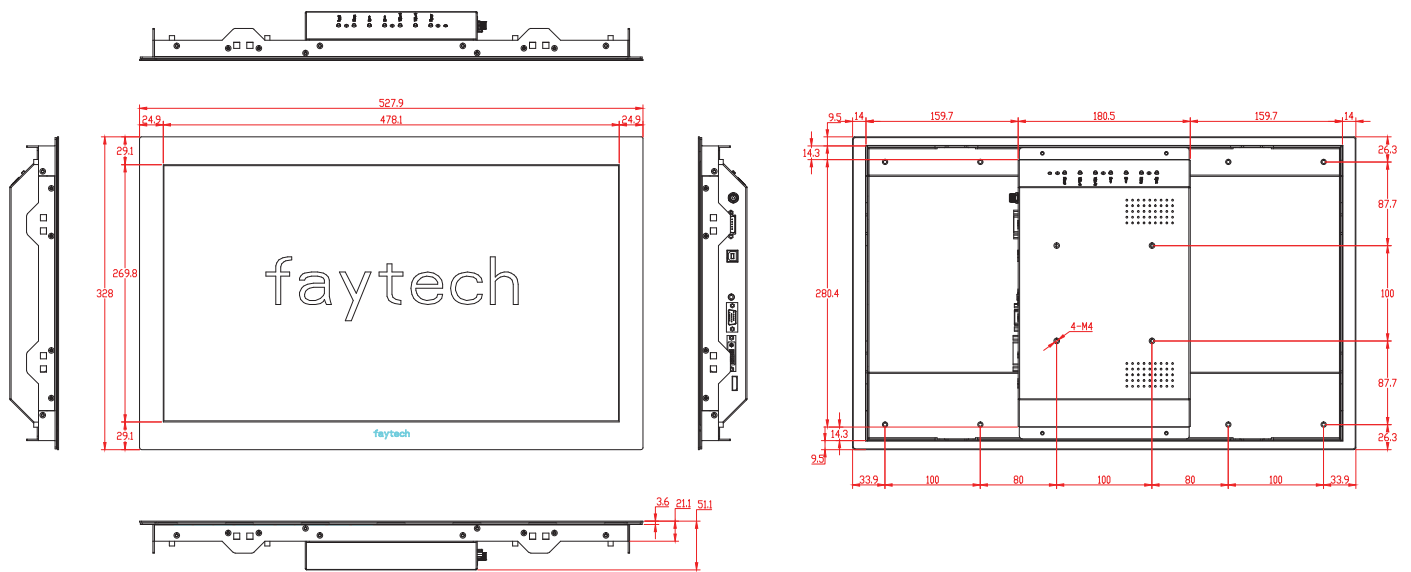
\* Only the latest version can be ordered, previous versions are only for historic reference.

### Version:

### Changes:

- v3** - Thickness change from 51.1 to 51.4 mm  
Switching of the DVI-D connector to a DP connector  
(v3 drawing on previous page)
- v2** - Update of internal wiring and components
- v1** - First version

v1 & v2 drawing:



## Corporate Headquarters

**faytech AG**

Bischhäuser Aue 10  
37213 Witzenhausen  
Germany

[support@faytech.com](mailto:support@faytech.com)

[contact@faytech.com](mailto:contact@faytech.com)

[www.faytech.com](http://www.faytech.com)

**Germany:** +49 5542 30374 0

**China:** +86 755 89580612

**USA:** +1 646 843 0877

**India:** +91 11 49707436

**Japan:** +81 366 722 920

**Korea:** +82 10 3479 1815