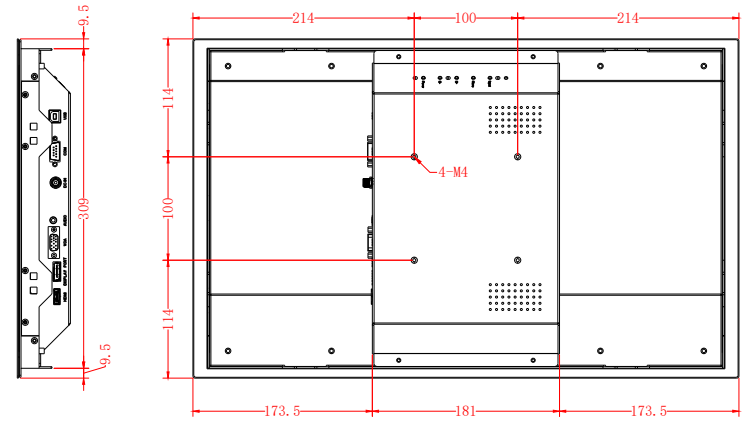
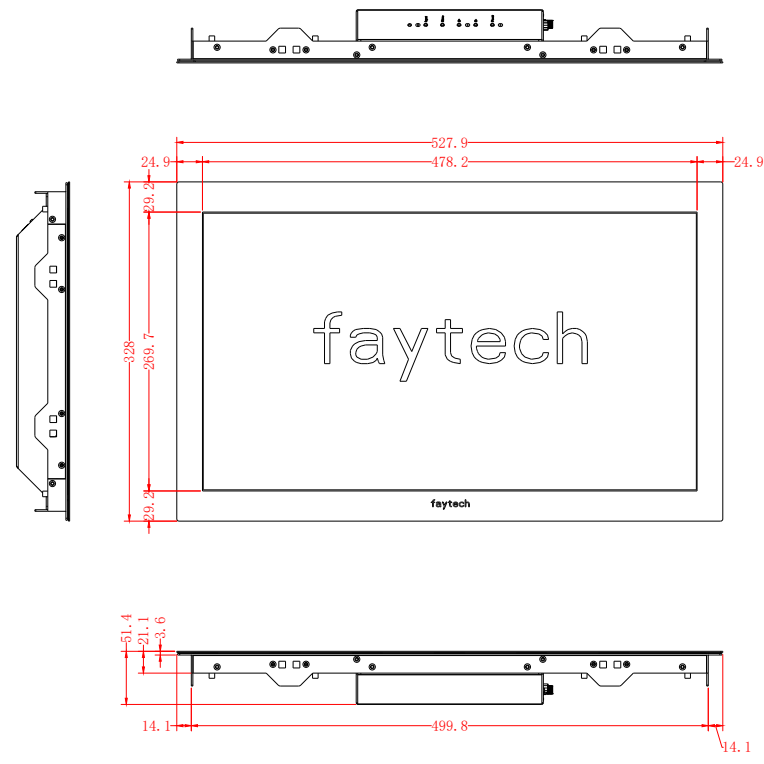



6		7		8	
No.	Rev.	Revision	Record	Date	
△					



Tolerance: $\pm 1.0\text{mm}$

General Tolerance ISO 2768-1c	ISO 2768-1c	 深圳市飞帆泰科技有限公司 SHENZHEN FEIFANTAI TECHNOLOGY CO., LTD		
UNIT	mm	Description	21.5inch-2556T-HDK	
Scale	1:1	Designed	Date	2022-4-26
REV.		Checked	Date	
		Approved	Date	