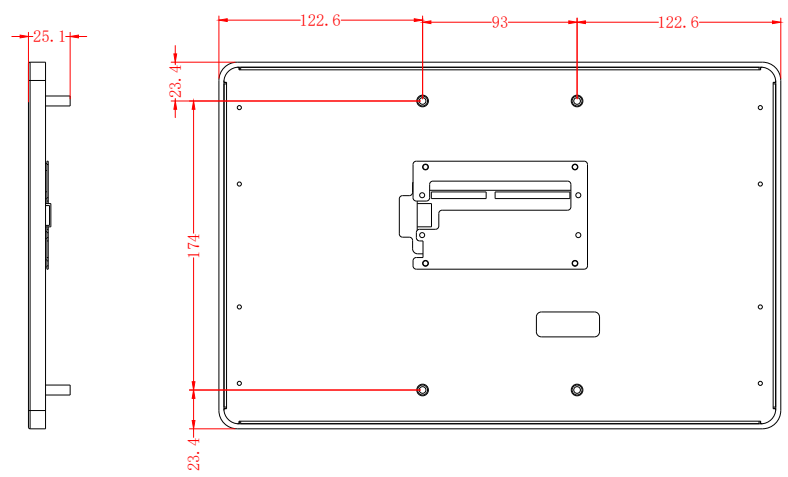
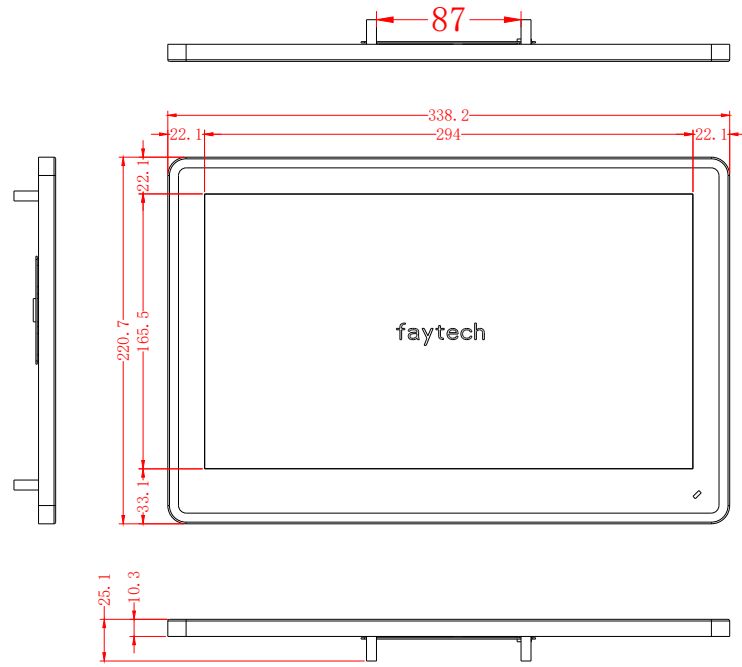

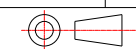


|     |      |                 |  |      |  |
|-----|------|-----------------|--|------|--|
| 6   |      | 7               |  | 8    |  |
| No. | Rev. | Revision Record |  | Date |  |
| △   |      |                 |  |      |  |
|     |      |                 |  |      |  |



Tolerance:  $\pm 1\text{mm}$

|   |             |  |  |            |          |
|---|-------------|--|--|------------|----------|
| General Tolerance<br>ISO 2768-1c  | ISO 2768-1c |  深圳市飞帆泰科技有限公司<br>FAYTECH TECH. CO., LTD |  |            |          |
| UNIT  | mm          | Description  |  | 13.3-PC-面板 |          |
| Scale   | 1:1         | Designed   |  | Date       | 2023-2-3 |
| REV.  |             | Checked  |  | Date       |          |
|  |             | Approved   |  | Date       |          |