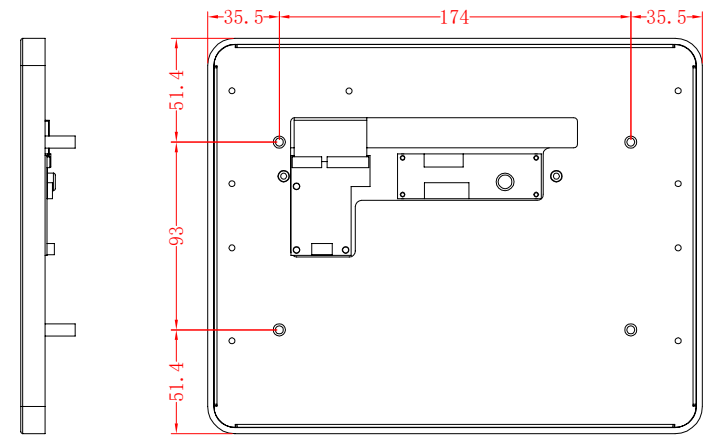
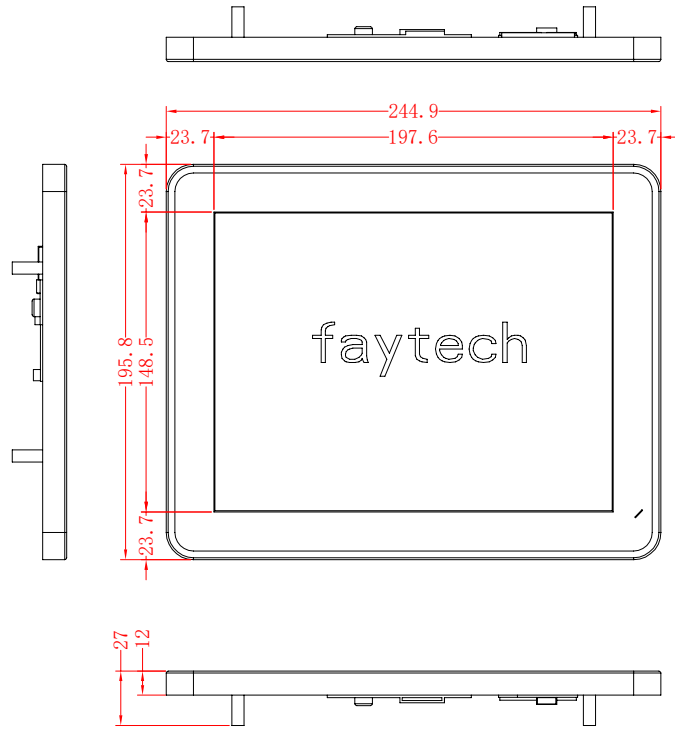


No.	Rev.	Revision Record	Date
△			



Tolerance:  $\pm 1\text{mm}$

General Tolerance ISO 2768-1c	ISO 2768-1c		深圳市飞帆泰科技有限公司 FAYTECH TECH. CO., LTD		
UNIT	mm	Description	097-PC-面板		
Scale	1:1	Designed	Date	2023-6-20	
REV.		Checked	Date		
		Approved	Date		