



**THE BEST SUPPORT  
FOR YOUR AV & IT HARDWARE**  
T: + 31(0)23-5478888 | E: info@newstar.eu | W: www.newstar.eu

## FPMA-W935

## NEWSTAR FLAT SCREEN WALL MOUNT

Newstar TV/Monitor Wall Mount (Full Motion) for 10"-40" Screen - Silver



### SPECIFICATIONS

<b>Color</b>	Silver
<b>Distance to wall</b>	12 - 45 cm
<b>Height adjustment</b>	None
<b>Max. screen size</b>	40
<b>Max. weight</b>	20
<b>Min. screen size</b>	10
<b>Min. weight</b>	0
<b>Rotate (degrees)</b>	360°
<b>Screens</b>	1
<b>Swivel (degrees)</b>	180°
<b>Tilt (degrees)</b>	15°
<b>Type</b>	Tilt Rotate Swivel Full motion
<b>VESA maximum</b>	200x200 mm
<b>VESA minimum</b>	75x75 mm
<b>Warranty</b>	5 year
<b>EAN code</b>	8717371441517

The NewStar wall mount, model FPMA-W935 is a tilt-, swivel and rotatable wall mount for flat screens up to 40" (102 cm). This mount is a great choice when you want the ultimate viewing flexibility with your flat screen. Effortless pull the display out from the wall, position it in almost any direction, turn it around corners and then smoothly return it to the wall when finished.

NewStars' tilt (15°), rotate (360°) and swivel (180°) technology allows the mount to change to any viewing angle to fully benefit from the capabilities of the flat screen. The mount is easily depth adjustable from 12 to 45 centimetres. Cable management conceals and routes cables from mount to flat screen. Hide your cables to keep living room, bedroom or home cinema installation nice and tidy.

NewStar FPMA-W935 has two pivot points and is suitable for screens up to 40" (102 cm). The weight capacity of this product is 20 kg each screen. The wall mount is suitable for screens that meet VESA hole pattern 75x75 to 200x200mm. Different hole patterns can be covered using NewStar VESA adapter plates.

Create a clean design ambiance for your flat screen TV in the living room, bedroom or home cinema.

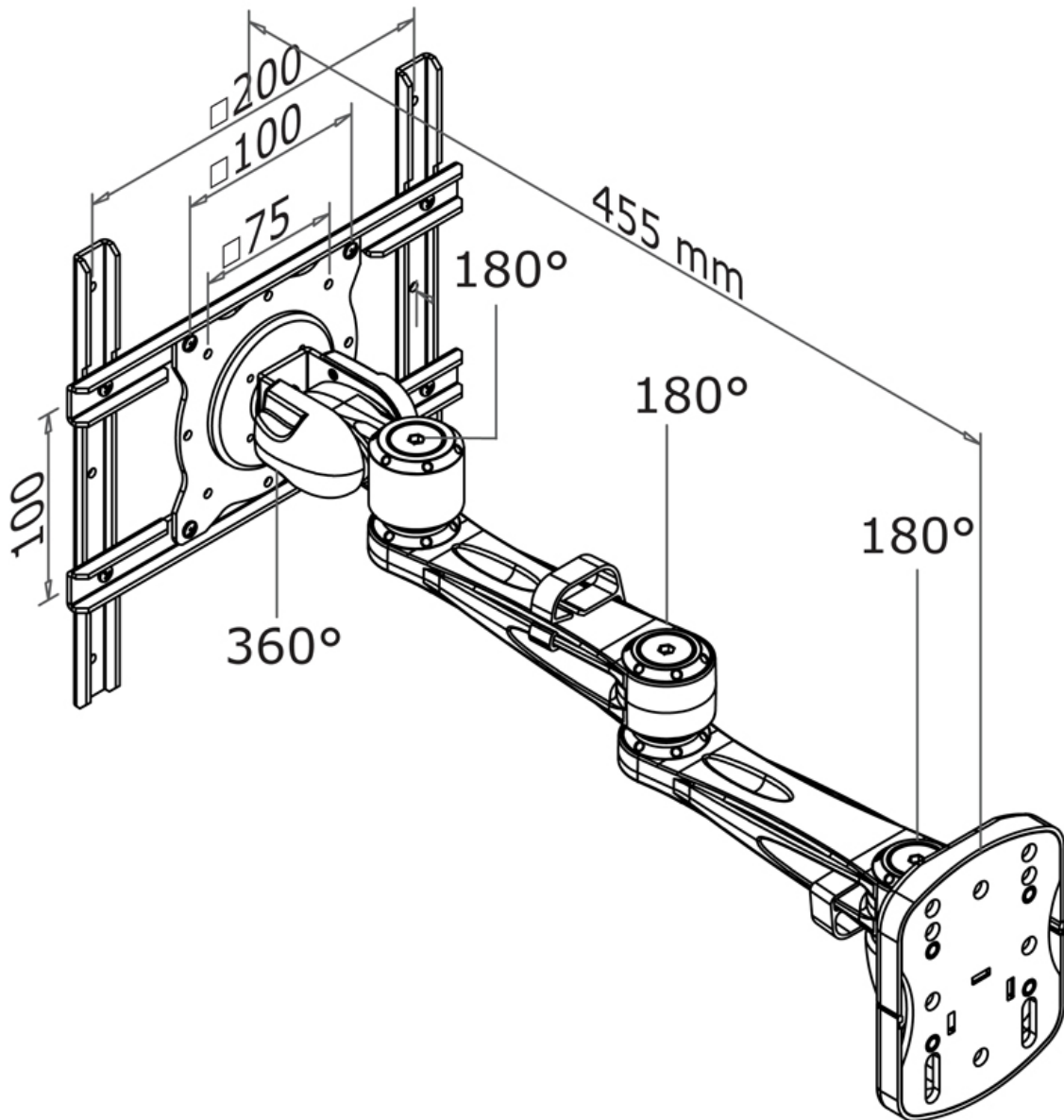
All installation material is included with the product.



**THE BEST SUPPORT  
FOR YOUR AV & IT HARDWARE**  
T: +31(0)23-5478888 | E: info@newstar.eu | W: www.newstar.eu

## FPMA-W935

## NEWSTAR FLAT SCREEN WALL MOUNT



NewStar Products Europe B.V.  
Wateringweg 62/B  
2031 EJ HAARLEM  
THE NETHERLANDS

Phone : +31(0)23-5478888  
Fax : +31(0)23-5478889  
Email : info@newstar.nl  
Website : www.newstar.eu

NewStar cannot be held liable for any inaccuracies and copyrights.  
No part of this publication may be reproduced and/or published by print, photocopy, microfilm or in any other way, without prior written permission of NewStar Computer Products Europe BV.