



**THE BEST SUPPORT
FOR YOUR AV & IT HARDWARE**
T: + 31(0)23-5478888 | E: info@newstar.eu | W: www.newstar.eu

FPMA-C020BLACK

NEWSTAR FLAT SCREEN CEILING MOUNT

Newstar TV/Monitor Ceiling Mount for
10"-40" Screen, Height Adjustable - Black



SPECIFICATIONS

Color	Black
Height	26,5 - 40 cm
Height adjustment	Manual
Max. screen size	40
Max. weight	20
Min. screen size	10
Min. weight	0
Screens	1
Swivel (degrees)	90°
Tilt (degrees)	90°
Type	Tilt
	Swivel
	Full motion
VESA maximum	200x200 mm
VESA minimum	75x75 mm
Warranty	5 year
EAN code	8717371445690

The NewStar FPMA-C020BLACK is a tilt- and swivel ceiling mount for flat screens up to 40" (102 cm). This mount is a great choice for space saving placement or when wall mounting and floor placement is not an option.

NewStar's versatile tilt (90°) and swivel (90°) technology allows the mount to change to any viewing angle to fully benefit from the capabilities of the flat screen. The support is easily height adjustable from 26,5 to 40 centimetres. An innovative cable management conceals and routes cables from ceiling to TV. Hide your cables in the column to keep it nice and tidy.

NewStar FPMA-C020BLACK has one pivot point and is suitable for screens up to 40" (102 cm). The weight capacity of this product is 20 kg. The ceiling mount is suitable for screens that meet VESA hole pattern 75x75 or 200x200mm. Different hole patterns can be covered using NewStar VESA adapter plates.

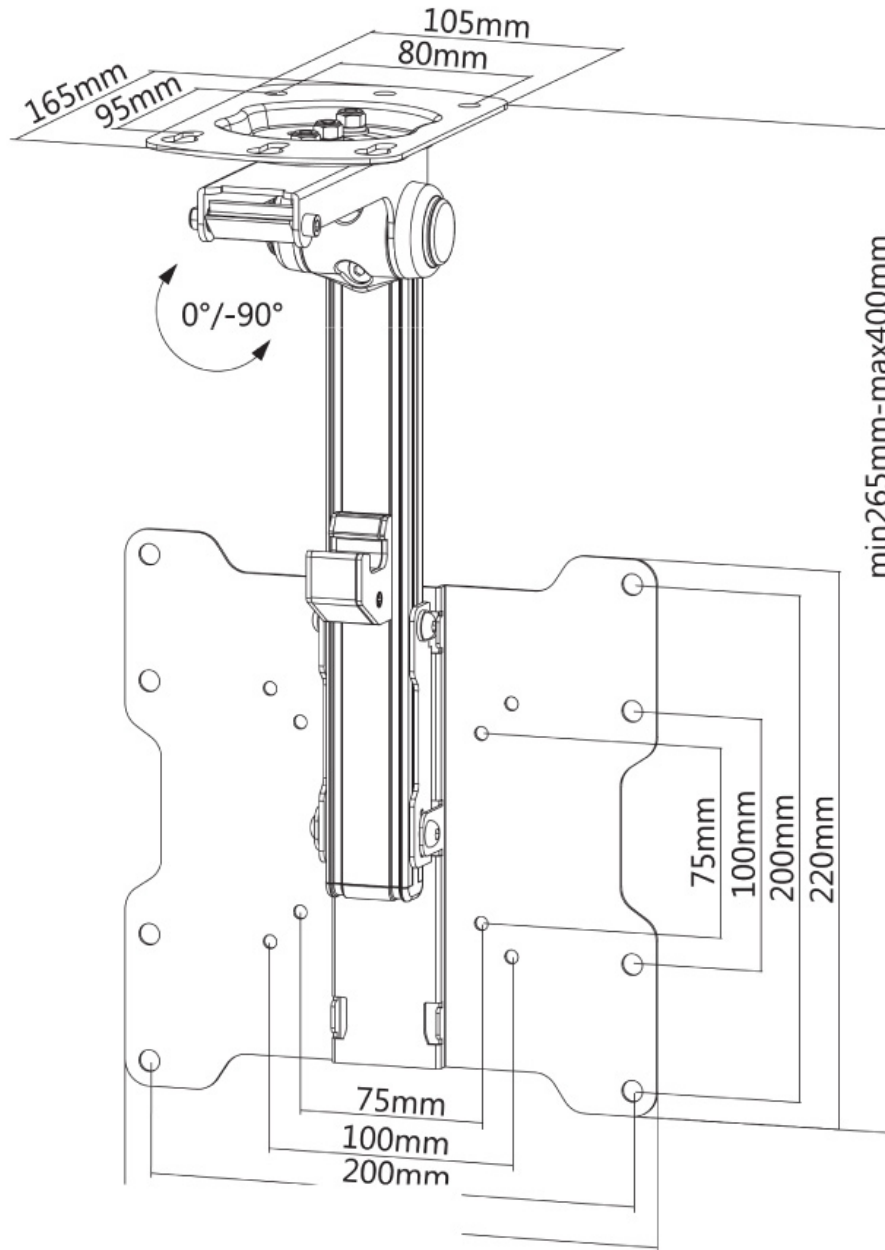
All installation material is included with the product.



**THE BEST SUPPORT
FOR YOUR AV & IT HARDWARE**
T: +31(0)23-5478888 | E: info@newstar.eu | W: www.newstar.eu

FPMA-C020BLACK

NEWSTAR FLAT SCREEN CEILING MOUNT



NewStar Products Europe B.V.
Wateringweg 62/B
2031 EJ HAARLEM
THE NETHERLANDS

Phone : +31(0)23-5478888
Fax : +31(0)23-5478889
Email : info@newstar.nl
Website : www.newstar.eu

NewStar cannot be held liable for any inaccuracies and copyrights.
No part of this publication may be reproduced and/or published by print, photocopy, microfilm or in any other way, without prior written permission of NewStar Computer Products Europe BV.