



User's Manual

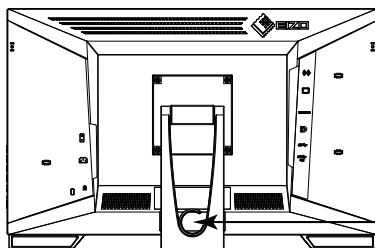
DuraVision® FDF2182WT Touch Panel Color LCD Monitor

Important

Please read this "User's Manual", and "PRECAUTIONS" (separate volume) carefully to familiarize yourself with safe and effective usage.

-
- Refer to the "Setup Guide" for information on the installation / connection of the monitor.
 - For the latest product information including the "User's Manual", refer to our web site :
www.eizoglobal.com
-

Location of Caution Statement



WARNING

RISK OF ELECTRIC SHOCK. DO NOT OPEN.

AVERTISSEMENT

RISQUE DE CHOC ELECTRIQUE. NE PAS OUVRIR.

WARNUNG

GEFAHR DES ELEKTRISCHEN SCHLAGES. RÜCKWAND NICHT ENTFERNEN.

警告

触电危険、请勿打开后盖。

警告

感電の恐れあり、カバーをあけないでください。

The equipment must be connected to a grounded main outlet.

L'appareil doit être relié à une prise avec terre.

Jordet stikkontakt skal benyttes når apparatet tilkobles datanett.

Apparaten skall anslutas till jordat nätuttag.

设备必须连接到接地的电源插座。

電源コードのアースは必ず接地してください。

This product has been adjusted specifically for use in the region to which it was originally shipped. If operated outside this region, the product may not perform as stated in the specifications.

No part of this manual may be reproduced, stored in a retrieval system, or transmitted, in any form or by any means, electronic, mechanical, or otherwise, without the prior written permission of EIZO Corporation. EIZO Corporation is under no obligation to hold any submitted material or information confidential unless prior arrangements are made pursuant to EIZO Corporation's receipt of said information. Although every effort has been made to ensure that this manual provides up-to-date information, please note that EIZO product specifications are subject to change without notice.

Notice for this product

About the Usage of This Product

This product is suited to general purposes like creating documents, viewing multimedia content.

This product has been adjusted specifically for use in the region to which it was originally shipped. If the product is used outside the region, it may not operate as specified in the specifications.

This product may not be covered by warranty for uses other than those described in this manual.

The specifications noted in this manual are only applicable when the following are used:

- Power cords provided with the product
 - Signal cables specified by us
-

Only use optional products manufactured or specified by us with this product.

About the LCD Panel

It takes about 30 minutes (under our measurement conditions) for the monitor display to stabilize. Please wait 30 minutes or more after the monitor power has been turned on, and then adjust the monitor.

Monitors should be set to a lower brightness to prevent a loss in the screen quality caused by long-term use and to maintain stable use.

When the screen image is changed after displaying the same image for extended periods of time, an afterimage may appear. Use the screen saver or power save function to avoid displaying the same image for extended periods of time. Depending on the image, an afterimage may appear even if it was displayed for a short period of time. To remove such a phenomenon, change the image or keep the power turned off for several hours.

If the monitor displays continuously over a long period of time, smudges or burn-in may appear. To maximize the life of the monitor, we recommend the monitor be turned off periodically.

The LCD panel is manufactured using high-precision technology. Although, missing pixels or lit pixels may appear on the LCD panel, this is not a malfunction. Percentage of effective dots: 99.9994 % or higher.

The backlight of the LCD panel has a fixed lifetime. Depending on the usage pattern, such as usage for long continuous periods, the lifespan of the backlight may run out sooner, requiring replacement. When the screen becomes dark or begins to flicker, please contact your local EIZO representative.

Do not scratch or press on the LCD panel with any sharp objects, at this may result in damage to the LCD panel. Do not attempt to brush with tissues as this may scratch the panel.

(Cautions for the Use of the Touch Panel)

During touch operation

Be careful of the following points. Otherwise, damage may occur to the monitor.

- Do not strongly press, scratch, or poke the panel.
 - Do not touch the panel with hard objects such as ballpoint pens or metals.
-

About the Installation

If you place this product on a lacquer-coated desk, the color may adhere to the bottom of the stand due to the composition of the rubber. Check the desk surface before use.

When the product is cold and brought into a room or the room temperature goes up quickly, dew condensation may occur on the interior and exterior surfaces of the product. In that case, do not turn the product on. Instead wait until the dew condensation disappears, otherwise it may cause some damage to the product.

About the Maintenance

Periodic cleaning is recommended to keep the product looking new and to prolong its operation lifetime (refer to [“Cleaning” \(page 4\)](#)).

Cleaning

The stains on the cabinet and LCD panel surface can be removed by using the provided cleaning cloth.

Attention

- Do not allow liquid to enter the clearance between the panel and the panel frame.
 - Chemicals such as alcohol and antiseptic solution may cause gloss variation, tarnishing, and fading of the cabinet or LCD panel, and also quality deterioration of the image.
 - Never use thinner, benzine, wax, or abrasive cleaner as they may damage the cabinet or LCD panel surface.
-

To use the monitor comfortably

- An excessively dark or bright screen may affect your eyes. Adjust the brightness of the monitor according to the environmental conditions.
- Staring at the monitor for a long time tires your eyes. Take a 10-minute rest every hour.

CONTENTS

Notice for this product	3	Chapter 7 Reference	32
Cleaning	4	7-1. Attaching the Optional Arm.....	32
To use the monitor comfortably	4	7-2. Connecting Multiple PCs	34
CONTENTS	5	● Connection examples	34
Chapter 1 Introduction	6	7-3. Using the USB Hub Function.....	35
1-1. Features	6	● Connection Procedure	35
● Full-flat Design	6	7-4. Specifications	36
● Easy-to-touch Stand Mechanism.....	6	● Accessories.....	37
● 10-point Multi-touch Function	6	7-5. Compatible Resolutions	38
1-2. Controls and Functions	7	Appendix	39
● Front	7	Trademark	39
● Rear.....	8	License	39
1-3. Attaching the Touch Pen Holder	9	Information for Radio Interference	40
1-4. EIZO LCD Utility Disk.....	9	LIMITED WARRANTY	41
● Disk Contents and Software Overview	9	Recycling Information	42
Chapter 2 Basic Adjustment / Setting	10		
2-1. Enabling or Disabling the Touch Panel.....	10		
2-2. Switching the Input Signal.....	10		
2-3. Adjusting Brightness	11		
2-4. Adjusting Volume.....	11		
Chapter 3 Touch Panel Settings	12		
3-1. Touch Panel Setting Method	12		
3-2. Adjusting the Touch Position	12		
3-3. Configuring Touch Panel Operation Settings.....	14		
Chapter 4 Advanced Adjustment / Setting	15		
4-1. Basic Operation of the Setting Menu	15		
4-2. Setting Menu Functions	16		
● Color Adjustment.....	16		
● Signal Settings	19		
● Preference Settings	22		
● Language	23		
● Information	23		
Chapter 5 Administrator Settings	24		
5-1. Basic Operation of the “Administrator Settings” Menu.....	24		
5-2. Functions of the “Administrator Settings” Menu.....	25		
Chapter 6 Troubleshooting	26		
6-1. No Picture	26		
6-2. Imaging Problems (for both digital and analog).....	27		
6-3. Imaging Problems (for analog only)	28		
6-4. Touch Panel Problems	29		
6-5. Other Problems	31		

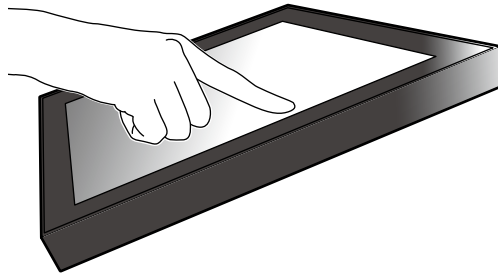
Chapter 1 Introduction

Thank you very much for choosing an EIZO color LCD monitor.

1-1. Features

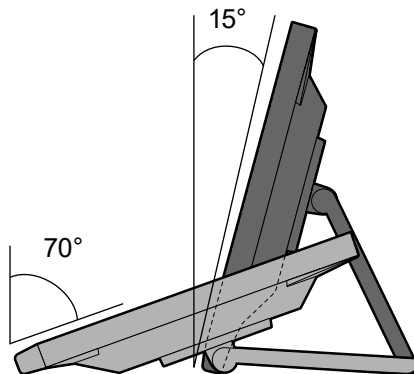
● Full-flat Design

The full-flat design with no steps is adopted in the bezel part. You can securely touch up to each edge of the screen even with fingertips.



● Easy-to-touch Stand Mechanism

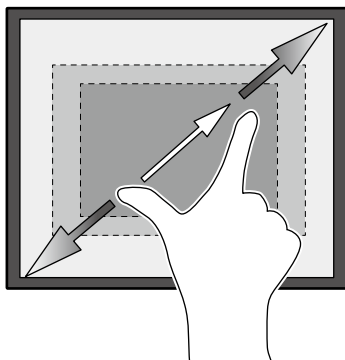
The tilt angle can be adjusted steplessly. You can smoothly change to the easy-to-work screen position to suit your needs such as for office work or multi-touch operations.



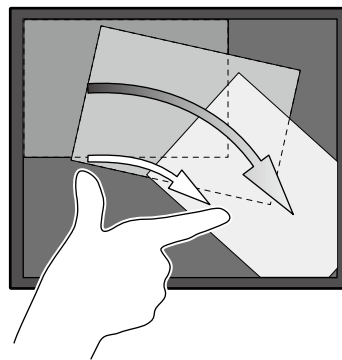
● 10-point Multi-touch Function

You can perform operations such as enlargement, reduction, and rotation using the multi-touch function. The touch panel reacts via light touching of the screen with fingers, thereby, enabling comfortable flick and drag operations.

Enlarge / Reduce

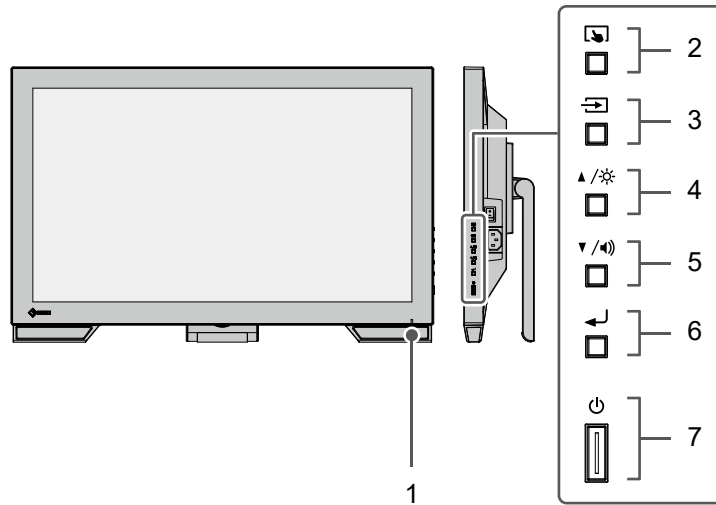



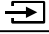



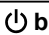
Rotate

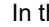
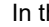




1-2. Controls and Functions

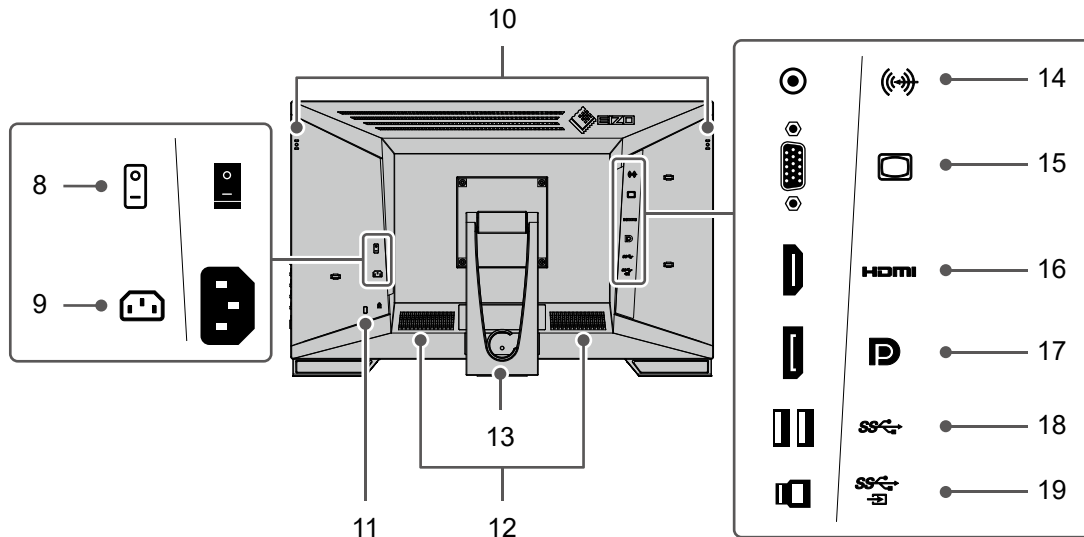
● Front



1. Power indicator	Indicates the monitor's operation status. Blue: Normal operation mode Orange: Power saving mode OFF: Main power off / Power off
2.  button	You can switch the touch panel enable and disable modes (page 10).
3.  button	Switches input signals for display (page 10).
4.  button^{*1}	Provides an item selection and function adjustment or setting option while the Setting menu is displayed, and displays the brightness adjustment screen (page 11).
5.  button^{*1}	Provides an item selection and function adjustment or setting option while the Setting menu is displayed, and displays the volume control screen (page 11).
6.  button	Displays the Setting menu, determines an adjustment item of each menu, and saves values adjusted (page 15).
7.  button	Turns the power on or off.

^{*1} In this User's Manual, the  button may be hereafter simply referred as , and the  button as .

● Rear



8. Main power switch	Turns the main power on or off. : ON, ○: OFF
9. Power connector	Connects the power cord.
10. Touch pen holder attachment hole^{*2}	Used to attach a touch pen holder.
11. Security lock slot	Complies with Kensington's MicroSaver security system.
12. Speaker	Outputs audio source.
13. Stand (with cable holder)	Used to adjust the angle of the monitor screen.
14. Stereo mini jack	Outputs external voice from the monitor when the stereo mini jack cable is used to connect an external device.
15. D-Sub mini 15-pin connector	Connects a PC with D-Sub output.
16. HDMI connector	Connects a PC with HDMI output.
17. DisplayPort connector	Connects a PC with DisplayPort output.
18. USB-A connector (downstream)	Connects a peripheral USB device.
19. USB-B connector (upstream)	Connects the USB cable for using the monitor as a touch panel monitor or for using the USB Hub function.

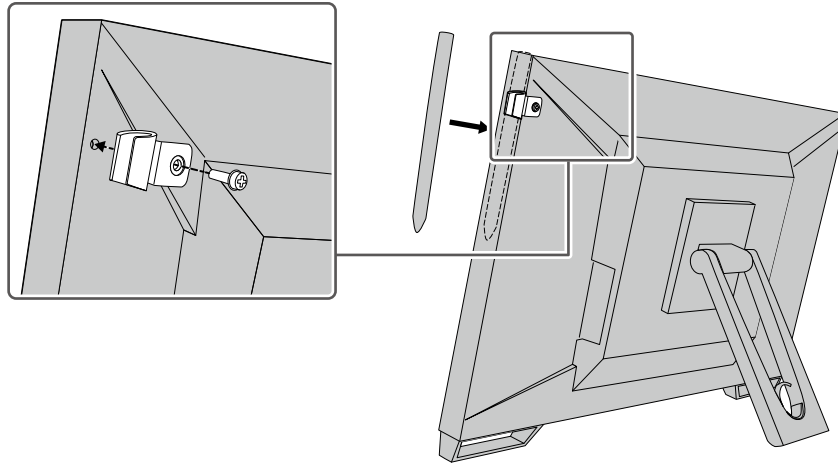
^{*2} The touch pen holder is supplied with the touch pen, which is a separately sold accessory. For the attachment method, see "1-3. Attaching the Touch Pen Holder" (page 9).

1-3. Attaching the Touch Pen Holder

Note

- The touch pen holder is supplied with the touch pen, which is a separately sold accessory.

Attach the touch pen holder to any one of the right-hand and left-hand holes in the rear of the monitor. To fix the touch pen holder, use the screw supplied with the touch pen.



1-4. EIZO LCD Utility Disk

An "EIZO LCD Utility Disk" (CD-ROM) is supplied with this product. The following table shows the disk contents and the overview of the software programs.

● Disk Contents and Software Overview

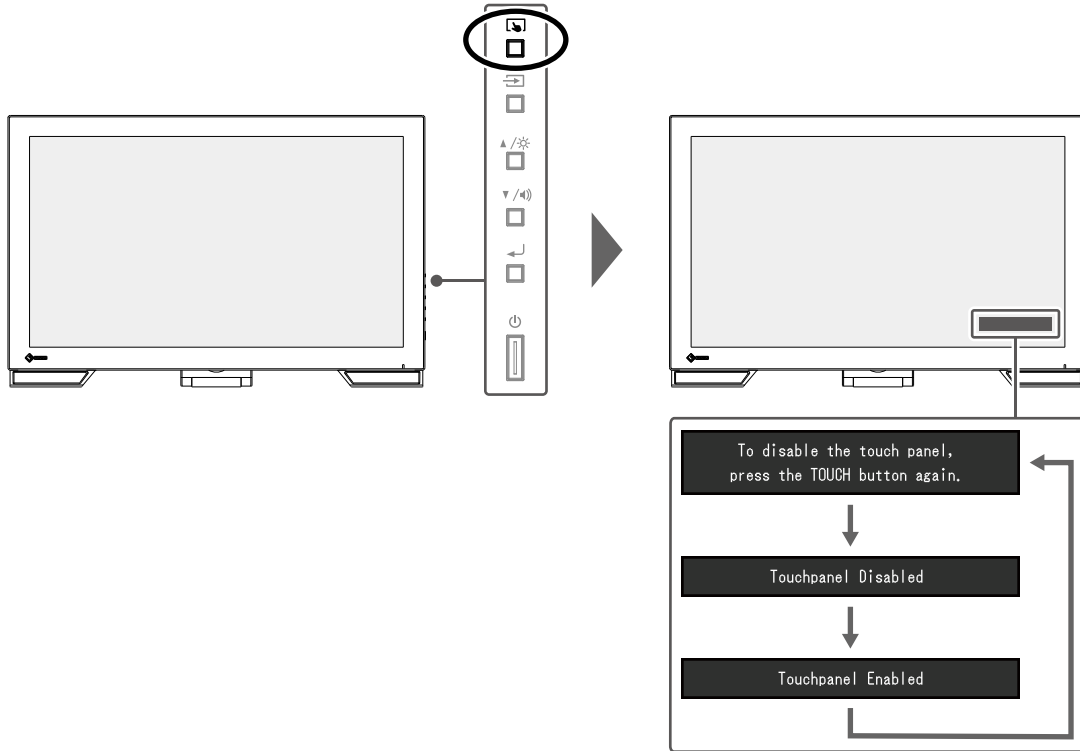
Item	Overview
Offset Calibration	Software for calibrating the sensitivity of the touch panel.* 1 Use this software when installing the monitor, or when touch operations are not registered or other operations do not work.
User's Manual of this monitor (PDF file)	
Outline dimensions	
Readme file	

*1 Only for Windows. For the installation method and usage method, refer to User's Manual in the disk.

Chapter 2 Basic Adjustment / Setting

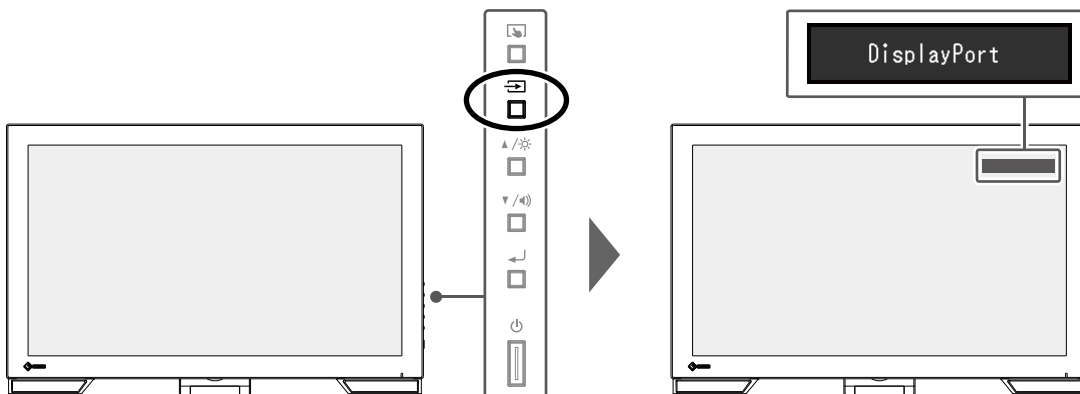
2-1. Enabling or Disabling the Touch Panel

You can switch the touch panel enable and disable modes. This function is available when you want to temporarily display the touch panel function.



2-2. Switching the Input Signal

When a monitor has multiple signal inputs, the signal to display on-screen can be changed. When the signal is switched, the active input port name appears at the top right corner of the screen.

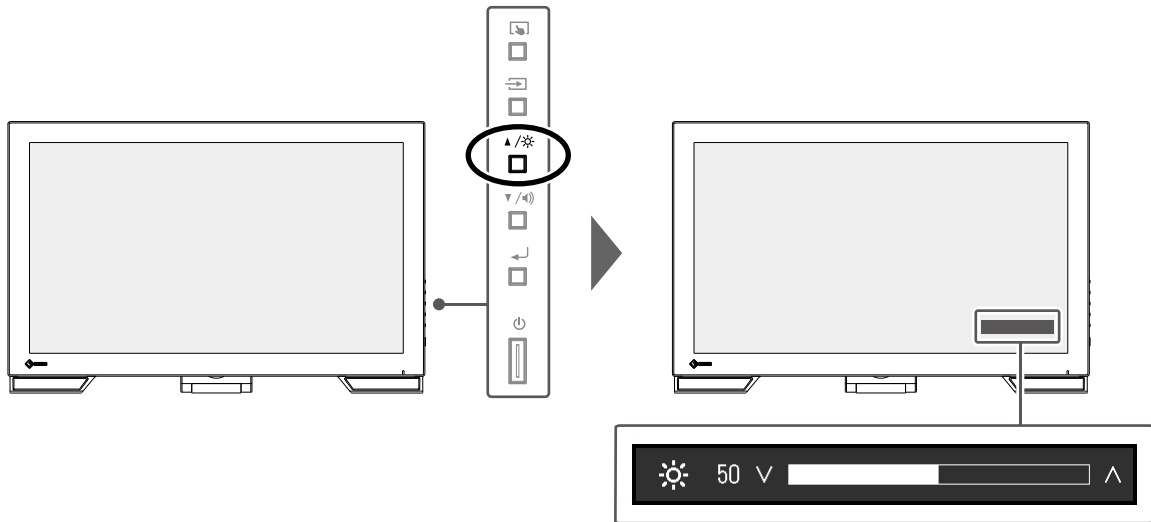


2-3. Adjusting Brightness

The brightness of the screen can be adjusted to suit the installation environment or personal preference. The screen brightness is adjusted by changing the brightness of the backlight (light source from the LCD back panel).

Adjustable range

0 to 100

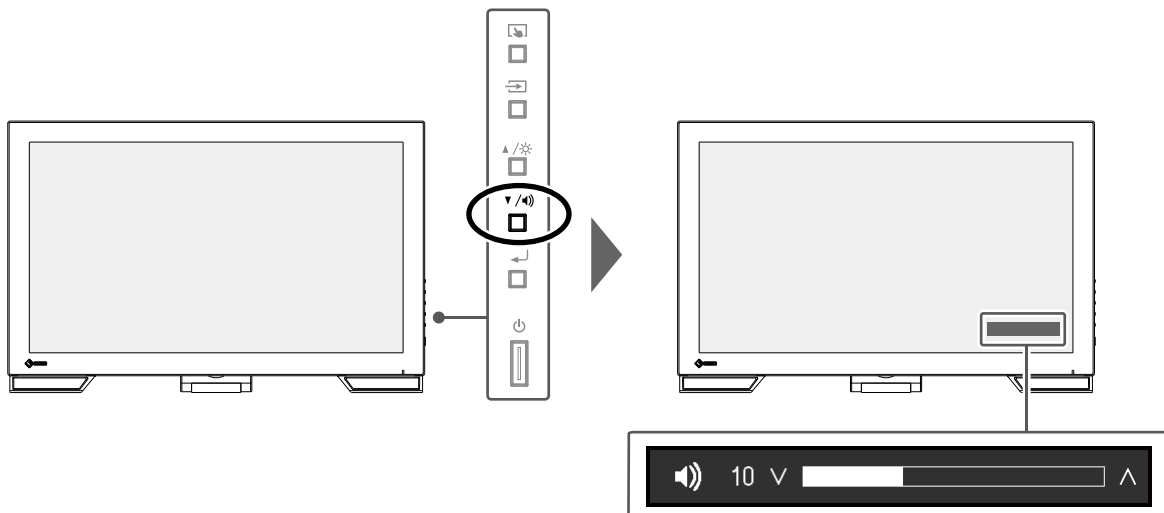


2-4. Adjusting Volume

You can individually tune the speaker volume.

Adjustable range

0 to 30



Chapter 3 Touch Panel Settings

3-1. Touch Panel Setting Method

This product's touch panel functions vary depending on the driver you use and its settings. Configure settings to meet your usage applications.

Function	Windows standard driver	Dedicated touch panel driver ^{*1}	
		HIDeGalaxTouch	eGalaxTouch
Driver installation	Not required	Required	
Touch sound output	x	√	
Multi-connection ^{*2}	√ ^{*3}	√	
Operation mode	Touch digitizer ^{*4}	Touch digitizer ^{*4*5}	Mouse emulation ^{*5}
Multi-touch operation	√	√	x

*1 It can be downloaded from our web site (www.eizoglobal.com).

*2 Two or more monitors can be connected to a single computer. Duplicate display (display of the same screen on multiple monitors) is not supported. Use for extended displays.

*3 Only available in Windows 11 / Windows 10.

*4 Touch operation may not be recognized on an application designed by mouse emulation.

*5 For more information about the setup procedure, see the touch panel driver's User's Manual.

Attention

- To change the dedicated touch panel driver you want to use, uninstall the dedicated touch panel driver currently being used, and then install a new dedicated touch panel driver.

Note

- When setting is completed, execute the "Offset Calibration" application included on the CD-ROM, and calibrate the sensitivity of the touch panel.

When using the Windows standard driver, configure settings, referring to the following information.

3-2. Adjusting the Touch Position

Make adjustments to align the touch position with the position of the cursor displayed in response to touching.

Attention

- Do not put your hands or any metal close to the screen because the screen is susceptible to electrical conductors.
- If a "User Account Control" dialog box is displayed during operation, proceed according to the displayed instructions.

1. Open Windows Control Panel.

The method for opening Control Panel differs depending on the operating system.


Windows 11

1. From the Start menu, click "All Apps" - "Windows Tools" - "Control Panel".

Windows 10

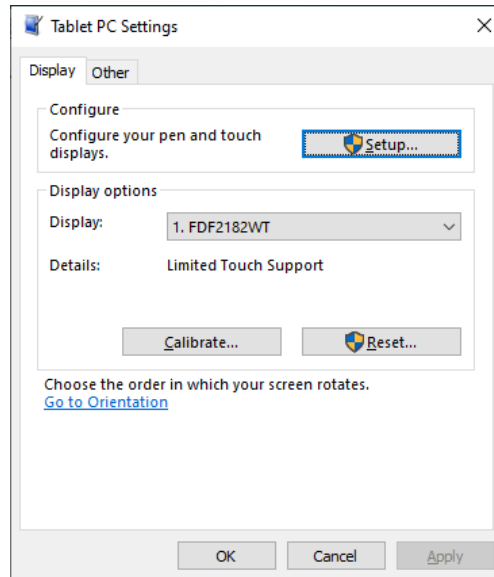
1. Open the Start menu, and click "All apps" - "Windows System" - "Control Panel".

Windows 8.1

1. Click  at the bottom of the "Start" screen.
The "Apps" screen appears.
2. Click "Control Panel" under "Windows System".

2. Click "Hardware and Sound" - "Tablet PC Settings".

The "Tablet PC Settings" window appears.



3. Click "Setup" in the "Display" tab.

A touchscreen specification screen with a white background is displayed.

Attention

- If using the monitor in a multiple monitor environment, specify the touchscreen according to the message displayed on screen.

4. Touch the screen with your finger.

The touched screen is recognized as a touchscreen.

5. Click "Calibrate".

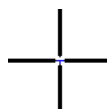
A screen with a white background is displayed.

Attention

- If using the monitor in a multiple monitor environment, select the monitor to calibrate the touch position for the "Display" pull-down menu, and then click "Calibrate".

6. Touch the calibration target (cross) for a few seconds with your finger and release.

The calibration target appears on the screen 16 times, starting from the top left to top right and then down to the bottom left to bottom right.



Note

- For second or subsequent calibrations, the calibration target appears 4 times. If you want to display the calibration target 16 times again, press "Reset" in the "Tablet PC Settings" window.

7. After the touch position calibration has been completed, click "Yes" to save the calibration data.
8. Click "OK" to close the window.

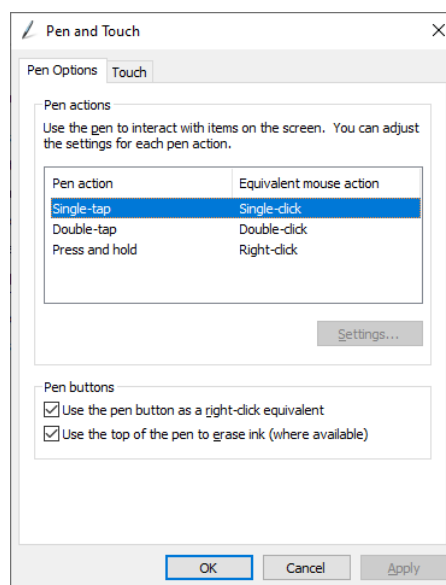
3-3. Configuring Touch Panel Operation Settings

1. Open Windows Control Panel.

The method for opening Control Panel differs depending on the operating system. (See [page 12](#))

2. Click "Hardware and Sound" - "Pen and Touch".

"Pen and Touch" window appears.



Configure the touch panel operation settings in the "Pen and Touch" window. For detailed settings, refer to the settings on each tab and Windows Help.

3. After settings have been completed, click "OK" to close the window.

Chapter 4 Advanced Adjustment / Setting

This chapter describes the advanced monitor adjustment and setting procedures using the Setting menu. For basic functions, see “Chapter 2 Basic Adjustment / Setting” (page 10).

4-1. Basic Operation of the Setting Menu

1. Displaying the menu

1. Press \leftarrow J.

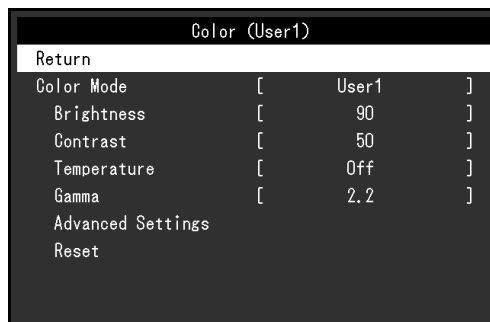
The Setting menu appears.



2. Adjustment / Setting

1. Use \blacktriangle / \blacktriangledown to select a menu to adjust or set, and press \leftarrow J.

The Sub menu appears.



2. Use \blacktriangle / \blacktriangledown to select an item to adjust or set, and press \leftarrow J.

The adjustment / setting menu appears.



3. Use \blacktriangle / \blacktriangledown to perform adjustment / setting, and press \leftarrow J to apply the setting.

The Sub menu appears

3. Exiting

1. Select "Return" from the Sub menu, and press ↵.
The Setting menu appears.
2. Select "Exit" in the Setting menu, and press ↵.
The Setting menu exits.

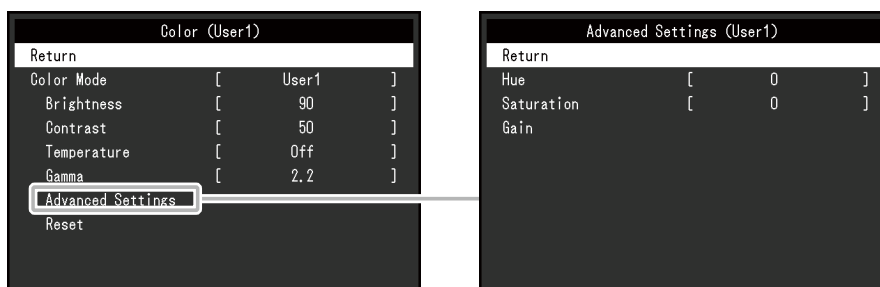
Note

- The Setting menu can also be exited by pressing ↵ twice quickly.

4-2. Setting Menu Functions

● Color Adjustment

The color mode settings can be adjusted according to personal preference. The adjusted settings are saved for each color mode.



Functions that can be adjusted differ depending on the color mode.

√: Adjustable - : Not adjustable

Function	Color Mode	
	User1 User2	sRGB
Brightness	√	√
Contrast	√	-
Temperature	√	-
Gamma	√	-
Advanced Settings	Hue	√
	Saturation	√
	Gain	√
Reset	√	√

Attention

- It takes about 30 minutes for the monitor display to stabilize. Please wait 30 minutes or more after power to the monitor has been turned on before adjusting the monitor.
- The same image may be observed in different colors on multiple monitors due to monitor-specific characteristics. Make fine color adjustments visually when matching colors across multiple monitors. Follow the procedure below to adjust and match colors across multiple monitors.
 1. Display a white screen on each monitor.
 2. Use one of the monitors as a visual reference point to make adjustments to the "Brightness", "Temperature", and "Gain" of the other monitors.

Function	Setting Value	Description
Color Mode	User1 User2 sRGB	<p>Select the desired mode according to the monitor application. The color mode settings can also be adjusted according to personal preference. Select the mode for adjustment and perform adjustment using the relevant functions.</p> <p>Note</p> <ul style="list-style-type: none"> The adjustment status of each mode is as follows: User1, User2: Select to set a display of your personal preference. sRGB: Suitable for color matching with sRGB compatible peripherals.
Brightness	0 to 100	<p>The screen brightness is adjusted by changing the brightness of the backlight (light source from the LCD back panel).</p> <p>Note</p> <ul style="list-style-type: none"> If the image is too dark even when the brightness is set to 100, adjust the contrast.
Contrast	0 to 100	<p>The brightness of the screen is adjusted by varying the video signal level.</p> <p>Note</p> <ul style="list-style-type: none"> A contrast of 50 displays every color gradation. When adjusting the monitor, it is recommended to perform brightness adjustment, which does not lose gradation characteristics, prior to contrast adjustment. Perform contrast adjustment in the following cases. - If the image is too dark even when the brightness is set to 100 (Set the contrast to higher than 50.)
Temperature	Off 4000 K to 10000 K (in increments of 500 K. 9300 K is included.)	<p>Adjust the color temperature.</p> <p>The color temperature is normally used to express the hue of "White" and/or "Black" with a numerical value. The value is expressed in degrees "K" (Kelvin).</p> <p>The screen becomes reddish at low color temperatures and bluish at high color temperatures, similar to the temperatures of a flame. A gain preset value is set for each color temperature setting value.</p> <p>Note</p> <ul style="list-style-type: none"> The value shown in "K" is available only as a reference. "Gain" allows you to perform more advanced adjustment. If set to "Off", the image is displayed in the preset color of the LCD panel (Gain: 100 for each RGB channel). When the gain is changed, the color temperature setting changes to "Off".
Gamma	1.8 2.0 2.2 2.4	<p>Adjust the gamma.</p> <p>While the brightness of the monitor varies depending on the video level of the input signal, the variation rate is not directly proportional to the input signal. Maintaining the balance between the input signal and brightness of the monitor is referred to as "Gamma correction".</p> <p>Note</p> <ul style="list-style-type: none"> If "sRGB" is selected for the color mode, "sRGB" is displayed for the gamma value.

Function		Setting Value	Description
Advanced Settings	Hue	-50 to 50	Adjust the hue. Note <ul style="list-style-type: none"> Using this function may prevent some color gradations from being able to be displayed.
	Saturation	-50 to 50	Adjust the color saturation. Note <ul style="list-style-type: none"> Using this function may prevent some color gradations from being able to be displayed. The minimum value (-50) changes the screen to monochrome.
	Gain	0 to 100	The brightness of each red, green, and blue color component is referred to as "Gain". The hue of "white" can be changed by adjusting the gain. Note <ul style="list-style-type: none"> Using this function may prevent some color gradations from being able to be displayed. The gain value changes according to the color temperature. When the gain is changed, the color temperature setting changes to "Off".
Reset		-	Reset any color adjustments for the currently selected color mode back to the default settings.

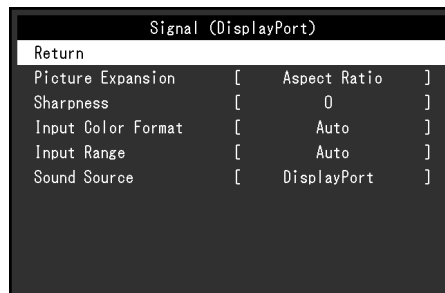
● Signal Settings

Set the details regarding input signal, such as the screen display size and color format.

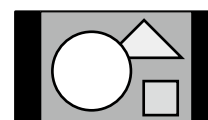
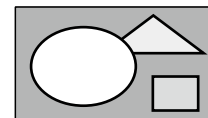
- For D-Sub input



- For HDMI / DisplayPort input



Function	Setting Value	Description
Picture Expansion	Auto *1 Full Screen Aspect Ratio Dot by Dot	<p>The screen size of the monitor display can be changed.</p> <ul style="list-style-type: none"> • “Auto” The monitor automatically changes the screen size according to the aspect ratio and resolution information from the PC. • “Full Screen” Images are stretched to full screen. Since aspect ratios are not maintained, images may be distorted in some cases. • “Aspect Ratio” Images are enlarged to full screen without changing the aspect ratio. Since aspect ratios are maintained, blank horizontal or vertical borders may appear. • “Dot by Dot” Displays the image at the set resolution or size specified by the input signal. <p>Note</p> <ul style="list-style-type: none"> • Example settings <ul style="list-style-type: none"> - Full Screen - Aspect Ratio - Dot by Dot (input signal)


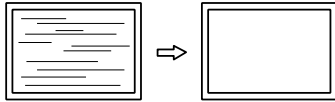
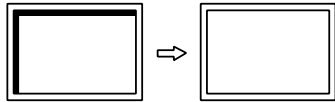


Function	Setting Value	Description
Sharpness	-2 to 2	<p>When a low resolution image is displayed using picture expansion mode ("Full Screen" or "Aspect Ratio"), the text and lines of the image may appear blurry. This blurriness can be reduced by configuring the settings for sharpness.</p> <p>Note</p> <ul style="list-style-type: none"> For some resolutions, it is not necessary to configure the settings for sharpness. ("Sharpness" is not a value that can be selected.)
Input Color Format	Auto YUV 4:2:2 ^{*1} YUV 4:4:4 ^{*1} YUV ^{*2} RGB	<p>The color format of the input signal can be specified. Try changing this setting if colors are not displayed correctly.</p>
Input Range	Auto Full Limited	<p>Depending on the video reproduction device, there may be a restriction on black and white video signal levels output to the monitor. This kind of signal is called "Limited range". On the other hand, unlimited signals are called "Full range".</p> <ul style="list-style-type: none"> "Auto" Input signal brightness range is automatically judged and is displayed appropriately (recommended setting). Depending on the video reproduction device, Limited range and Full range may not be able to be judged by the monitor. In such a case, selecting "Full" or "Limited" will allow it to be displayed appropriately. "Full" To be selected in case of Full range signals. Appropriate display can be obtained when this is selected, in case both blacks and whites are corrupted. "Limited" To be selected in case of Limited range signals. In case this is selected, the output signal range is expanded from 0 to 255 to obtain an appropriate display when black is pale and white is dull. <p>Note</p> <ul style="list-style-type: none"> When "YUV" is selected in "Input Color Format", the setting is automatically set to "Limited". Additionally, when "Auto" is selected and the monitor determines the input color format to be YUV, the setting is automatically set to "Limited".
Sound Source	Stereo Mini Jack HDMI ^{*3} DisplayPort ^{*2}	<p>This function allows you to switch sound sources during HDMI signal input or DisplayPort signal input.</p> <p>Note</p> <ul style="list-style-type: none"> This setting is fixed to "Stereo Mini Jack" when an HDMI signal without an audio signal or a D-Sub signal is input.

*1 Only enabled during HDMI input

*2 Only enabled during DisplayPort input

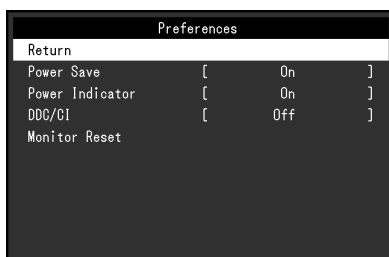
*3 Only enabled during HDMI input with an audio signal

Function		Description
Analog Adjustment*4	Auto Screen Adjust	<p>Screen flickering, display position, and size can be adjusted automatically. Selecting "Auto Screen Adjust" displays a message. Select "Yes" to enable this function.</p> <p>Note</p> <ul style="list-style-type: none"> The automatic screen adjustment function works correctly when an image is fully displayed over the entire displayable area of the screen. It does not work properly in the following cases: <ul style="list-style-type: none"> When an image is only displayed on part of the screen (command prompt window, for example) When a black background (wallpaper, etc.) is used Also, this function may not work properly with some graphic boards. When a signal is input into the monitor for the first time or when a resolution or vertical/horizontal scan frequency not used before is set, adjustment is performed automatically (only for signals with a resolution of 800×600 (SVGA) or higher).
	Auto Range Adjust	<p>Every color gradation (0 to 255) can be displayed by automatically adjusting the signal output level. Selecting "Auto Range Adjust" displays a message. Select "Yes" to enable this function.</p>
	Clock	<p>Flickering of vertical lines on the screen or part of the screen can be reduced.</p>  <p>Note</p> <ul style="list-style-type: none"> It is easy to miss the point where the settings are correct. Adjust this setting carefully.
	Phase	<p>Flickering and blurring over the entire screen can be reduced.</p>  <p>Note</p> <ul style="list-style-type: none"> Flickering and blurring may not be completely eliminated depending on your PC or graphics board. After setting, adjust the "Clock" again if vertical bars appear.
	Hor. Position Ver. Position	<p>The display position (horizontal and vertical) of the screen can be adjusted.</p>  <p>Note</p> <ul style="list-style-type: none"> Since the number of pixels and pixel positions are fixed on the LCD monitor, only one position is provided to display images correctly. Position adjustment is made to shift an image to the correct position.

*4 Only valid for D-Sub input

● Preference Settings

The monitor's settings can be configured to suit the usage environment or personal preference.



Function	Setting Value	Description
Power Save	On Off	<p>The monitor can be set to enter power saving mode according to the state of the PC.</p> <p>The monitor changes to power saving mode about 15 seconds after signal input ceases to be detected.</p> <p>When the monitor has shifted to power saving mode, images are not displayed on the screen and audio is not output.</p> <ul style="list-style-type: none"> How to exit power saving mode <ul style="list-style-type: none"> Press the button or button The monitor automatically exits power saving mode when the monitor receives input <p>Note</p> <ul style="list-style-type: none"> At the time of shifting to power saving mode, a message that indicates the transition is displayed 5 seconds in advance. When not using the monitor, you can turn off the main power supply or disconnect the power plug so that the power is cut completely. When “Compatibility Mode” (page 25) is set to “On”, even if the monitor shifts to power saving mode, devices connected to the USB downstream port are operational. Therefore, power consumption of the monitor varies with connected devices even in power saving mode.
Power Indicator	On Off	The power indicator (blue) can be turned off in normal operation mode.
DDC/CI	On Off	This function allows you to enable / disable the DDC/CI communication.
Monitor Reset	-	<p>Restore all settings to their default values except for the following settings.</p> <ul style="list-style-type: none"> Settings on the “Administrator Settings” menu Enabling or Disabling the Touch Panel

● Language

The display language for menus and messages can be selected.

Setting Value

English, German, French, Spanish, Italian, Swedish, Japanese, Simplified Chinese, Traditional Chinese



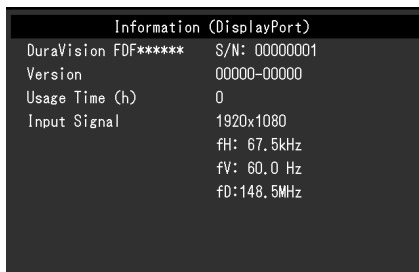
Attention

- The display language of the "Administrator Settings" menu (English) cannot be changed.
-

● Information

You can check the monitor information (model name, serial number (S/N), firmware version, usage time) and the input signal information.

Example:



Chapter 5 Administrator Settings

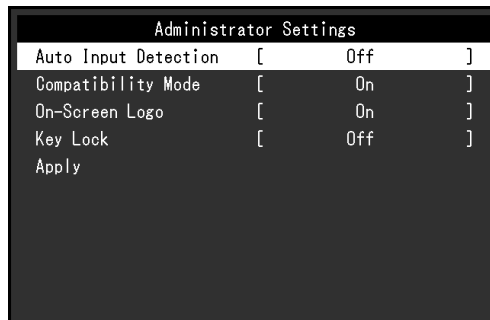
This chapter describes how to configure monitor operation using the “Administrator Settings” menu.

5-1. Basic Operation of the “Administrator Settings” Menu

1. Menu display

1. Press ⏻ to turn the monitor off.
2. While holding down ⏻ , press ⏻ for more than 2 seconds to turn on the monitor.

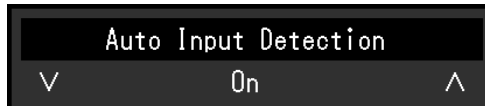
The “Administrator Settings” menu appears.



2. Setting

1. Use ▲▼ to select an item to set, and press ↵ .

The Adjustment / Setting menu appears.



2. Use ▲▼ to perform setting, and press ↵ .

3. Applying and exiting

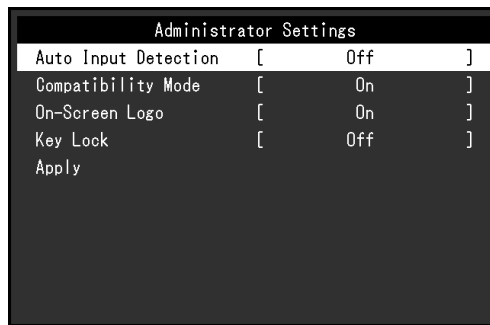
1. Select “Apply” and press ↵ .



The settings are applied and the “Administrator Settings” menu exits.

Attention

- The language (English) of the “Administrator Settings” menu cannot be changed.


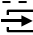
5-2. Functions of the “Administrator Settings” Menu



Function	Setting Value	Description
Auto Input Detection	On Off	<p>This function automatically recognizes the connector through which PC signals are input, and displays images on the screen accordingly.</p> <ul style="list-style-type: none"> “On” When the monitor is connected to multiple PCs, if a specific PC enters power saving mode or no signals are input to the monitor, the connector is automatically changed to another one to which signals are input. “Off” To be set to this when manually selecting input signals. In this case, you can select the input signal to display using the  control button on the side of the monitor. For details, see "2-2. Switching the Input Signal" (page 10). <p>Note</p> <ul style="list-style-type: none"> This product automatically recognizes the connector through which PC signals are input, and displays images on the screen accordingly regardless of whether this function is set to On or Off just after the main power switch on the rear side of the monitor has been turned on. When this function is set to “On”, the monitor only enters the power saving mode when signals are not input from any PC.
Compatibility Mode	On Off	<p>If you want to avoid the following phenomena, set this function to “On”.</p> <ul style="list-style-type: none"> The positions of windows and icons are shifted when the monitor is turned off / on or has returned from the power saving mode. Even when the mouse or keyboard are used, the computer does not return from sleep. When the power to the monitor is turned off, a device connected to the USB downstream port does not work, or power is not supplied to the connected device.
On-Screen Logo	On Off	<p>When the monitor is turned on, the EIZO logo appears on the screen.</p> <p>When this function is set to “Off”, the EIZO logo does not appear.</p>
Key Lock	Off Menu All	<p>In order to prevent changes to settings, the operation buttons on the side of the monitor can be locked.</p> <ul style="list-style-type: none"> “Off” (default setting) Enables all buttons. “Menu” Locks the  button. “All” Locks all buttons except the power button.

Chapter 6 Troubleshooting




6-1. No Picture

Problem	Possible cause and remedy
<p>1. No picture</p> <ul style="list-style-type: none"> Power indicator does not light up. <hr/> <ul style="list-style-type: none"> Power indicator is lighting blue. <hr/> <ul style="list-style-type: none"> Power indicator is lighting orange. <hr/> <ul style="list-style-type: none"> Power indicator is flashing orange. 	<ul style="list-style-type: none"> Check whether the power cord is connected properly. Turn on the main power switch on the rear side of the monitor. Press . Turn off the main power switch on the rear side of the monitor, and then turn it on again a few minutes later. <hr/> <ul style="list-style-type: none"> Increase “Brightness”, “Contrast”, or “Gain” in the Setting menu (see “Color Adjustment” (page 16)). <hr/> <ul style="list-style-type: none"> Switch the input signal using . Turn the setting “On” for “Compatibility Mode” on the “Administrator Settings” menu (see “Compatibility Mode” (page 25)). Move the mouse or press any key on the keyboard. Touch the touch panel surface. Check whether the PC is turned on. Turn off the main power switch on the rear side of the monitor, and then turn it on again. <hr/> <ul style="list-style-type: none"> This symptom may occur when the PC is connected to the DisplayPort connector. Use a signal cable recommended by us for the connection. Turn the monitor off and on. Check the connection and condition of the USB devices connected to the monitor.
<p>2. The message below appears.</p> <ul style="list-style-type: none"> This message appears when no signal is input. Example: <div data-bbox="264 1243 568 1339" style="border: 1px solid black; background-color: #333; color: white; padding: 5px; text-align: center;"> DisplayPort No Signal </div> <hr/> <ul style="list-style-type: none"> The message shows that the input signal is out of the specified frequency range. Example: <div data-bbox="264 1599 568 1706" style="border: 1px solid black; background-color: #333; color: white; padding: 5px; text-align: center;"> DisplayPort Signal Error </div>	<p>This message appears when the signal is not input correctly even though the monitor is functioning properly.</p> <hr/> <ul style="list-style-type: none"> The message shown left may appear, because some PCs do not output the signal immediately after power-on. Check whether the PC is turned on. Check whether the signal cable is connected properly. Switch the input signal. Turn off the main power switch on the rear side of the monitor, and then turn it on again. Try setting “Auto Input Detection” in the “Administrator Settings” menu to “Off” and switching the input signal manually (see “Auto Input Detection” (page 25)). <hr/> <ul style="list-style-type: none"> Check whether the PC is configured to meet the resolution and vertical scan frequency requirements of the monitor (see “7-5. Compatible Resolutions” (page 38)). Reboot the PC. Select an appropriate setting using the graphics board’s utility. Refer to the User’s Manual of the graphics board for details.


6-2. Imaging Problems (for both digital and analog)

Problem	Possible cause and remedy
1. The screen is too bright or too dark.	<ul style="list-style-type: none"> Use "Brightness" or "Contrast" in the Setting menu to adjust it (see "Color Adjustment" (page 16)). (The LCD monitor backlight has a limited life span. If the screen becomes dark or begins to flicker, contact your local EIZO representative.)
2. Characters and images are blurred.	<ul style="list-style-type: none"> Check whether the PC is configured to meet the resolution and vertical scan frequency requirements of the monitor (see "7-5. Compatible Resolutions" (page 38)). Try setting the magnification of display on the OS to "100%". When using multiple monitors, try setting the magnification of display to "100%" on all monitors.
3. Afterimages appear.	<ul style="list-style-type: none"> Afterimages are particular to LCD monitors. Avoid displaying the same image for a long time. Use the screen saver or power saving function to avoid displaying the same image for extended periods of time. Depending on the image, an afterimage may appear even if it was displayed for a short period of time. To remove such a phenomenon, change the image or keep the power turned off for several hours.
4. Green / red / blue / white / dark dots remain on the screen.	<ul style="list-style-type: none"> This is due to LCD panel characteristics and not a malfunction.
5. Interference patterns or pressure marks remain on the LCD panel.	<ul style="list-style-type: none"> Leave the monitor with a white or black screen. The symptom may disappear.
6. Noise appears on the screen.	<ul style="list-style-type: none"> When inputting HDCP system signals, normal images may not be displayed immediately.
7. The positions of windows and icons are shifted when the monitor is turned off / on or when restored from power saving mode.	<ul style="list-style-type: none"> Turn the setting "On" for "Compatibility Mode" on the "Administrator Settings" menu (see "Compatibility Mode" (page 25)).
8. The color shown on the screen is not correct.	<ul style="list-style-type: none"> Try changing "Input Color Format" in the Setting menu (see "Input Color Format" (page 20)).
9. Images are not displayed over the entire area of the screen.	<ul style="list-style-type: none"> Try changing "Picture Expansion" in the Setting menu (see "Picture Expansion" (page 19)). Check whether the setting for the resolution of the PC matches the resolution of the monitor.
10. Cloudiness cannot be removed even after wiping the screen. / There is dew on the interior side of the glass.	<ul style="list-style-type: none"> When cloudiness cannot be removed even after wiping the screen, dew may have formed on the interior side of the glass that protects the LCD panel. The dew will disappear after a while. Dew appearing like this on the interior side of the glass will not lead to product failure or degradation.

6-3. Imaging Problems (for analog only)

Problem	Possible cause and remedy
<p>1. Display position is incorrect.</p> 	<ul style="list-style-type: none"> • Use "Hor. Position" and "Ver. Position" in the Setting menu to correct the image position (see "Hor. Position" (page 21) and "Ver. Position" (page 21)). • If the problem persists, use the graphics board's utility if available to change the display position.
<p>2. Vertical bars appear on the screen or a part of the image is flickering.</p> 	<ul style="list-style-type: none"> • Use "Clock" in the Setting menu to adjust it (see "Clock" (page 21)).
<p>3. Whole screen is flickering or blurring.</p> 	<ul style="list-style-type: none"> • Use "Phase" in the Setting menu to adjust it (see "Phase" (page 21)).

6-4. Touch Panel Problems

Problem	Possible cause and remedy
<p>1. Touch operation is disabled.</p>	<ul style="list-style-type: none"> • Check that the monitor and PC are connected with a USB cable. • Press  (see “2-1. Enabling or Disabling the Touch Panel” (page 10)). • Check that the power cord of the monitor and PC is connected to a grounded main outlet. Failure to ground the equipment may result in malfunction. • Execute Offset Calibration to perform touch panel sensitivity adjustment. <ul style="list-style-type: none"> - Check that the touch panel is enabled (see “2-1. Enabling or Disabling the Touch Panel” (page 10)). - Perform adjustment monitor by monitor. When multiple monitors are connected, connect only the monitor you want to adjust to the PC with the USB cable.
<p>2. Cursor position is not correct. / Cursor jumps.</p>	<ul style="list-style-type: none"> • Connect the monitor to the PC with the cable indicated in the Setup Guide. The touch panel may not work correctly if a conversion adapter is used. • Turn off and on the monitor. • Adjust the touch position. <ul style="list-style-type: none"> - When you are using the dedicated touch panel driver, see the touch panel driver User’s Manual. - When you are using the Windows standard driver, configure settings, see “3-2. Adjusting the Touch Position” (page 12). • Check that the power cord of the monitor and PC is connected to a grounded main outlet. Failure to ground the equipment may result in malfunction. • Changing the position or angle of the monitor may cause the cursor to jump. • Keep metals away from the touch panel surface. • If the touch panel is dirty, the touch panel may not operate properly. Clean the touch panel (see “Cleaning” (page 4)). • The spray for preventing static electricity may influence the sensitivity of the touch panel. • Do not touch the touch panel for 5 seconds after the PC starts up, after turning on the monitor, or after connecting the USB cable. Touching the touch panel too soon may cause incorrect cursor positioning or disable touch operation. In such cases, turn off the monitor, and then turn it on again. • Execute Offset Calibration to perform touch panel sensitivity adjustment. <ul style="list-style-type: none"> - Check that the touch panel is enabled (see “2-1. Enabling or Disabling the Touch Panel” (page 10)). - Perform adjustment monitor by monitor. When multiple monitors are connected, connect only the monitor you want to adjust to the PC with the USB cable. • Changing the screen size of the monitor may cause the cursor position to become misaligned. When the screen size is changed, adjust the touch position. • When displaying at a resolution other than the recommended resolution, the touch position and cursor position may shift due to the scaling function of the graphics board. In that case, check the graphics driver settings and change the scaling to the monitor. After changing the settings, perform the touch position correction again.

Problem	Possible cause and remedy
<p>3. The cursor does not appear at the touched position and instead is displayed at a point-symmetric position with respect to the center of the screen.</p>	<ul style="list-style-type: none"> • Adjust the touch position. <ul style="list-style-type: none"> - When you are using the dedicated touch panel driver, see the touch panel driver User's Manual. - When you are using the Windows standard driver, configure settings, see "3-2. Adjusting the Touch Position" (page 12).
<p>4. Cursor is jittery. / Drawing lines are not straight and smooth.</p>	<ul style="list-style-type: none"> • Check that the power cord of the monitor and PC is connected to a grounded main outlet. Failure to ground the equipment may result in malfunction. • Execute Offset Calibration to perform touch panel sensitivity adjustment. <ul style="list-style-type: none"> - Check that the touch panel is enabled (see "2-1. Enabling or Disabling the Touch Panel" (page 10)). - Perform adjustment monitor by monitor. When multiple monitors are connected, connect only the monitor you want to adjust to the PC with the USB cable. • The influence of metal may cause jittery cursor. • When multiple monitors are placed close to each other, leave space between monitors.
<p>5. The touch position is not set as adjusted.</p>	<ul style="list-style-type: none"> • When you are using the dedicated touch panel driver, see the touch panel driver User's Manual. • Reset the touch panel to the state before calibration (by clicking "Reset" in the "Display" tab of the "Tablet PC Settings" window accessible from the Windows Control Panel), and then adjust the touch position (see "3-2. Adjusting the Touch Position" (page 12)). • Once "Setup" has been completed in the "Display" tab of the "Tablet PC Settings" window accessible from the Windows Control Panel, close the "Tablet PC Settings" once, open the "Display" tab of "Tablet PC Settings" again, and then adjust the touch position.
<p>6. No touch sound is output.</p>	<ul style="list-style-type: none"> • When you are using the Windows standard driver, touch sound is not output. When you want to output touch sound, use the dedicated touch panel driver (see "3-1. Touch Panel Setting Method" (page 12)).
<p>7. The multi-touch function does not run.</p>	<ul style="list-style-type: none"> • Reboot the PC. • When you are using the dedicated touch panel driver, see the touch panel driver User's Manual.

Attention

- For details on Offset Calibration (software for adjusting touch panel sensitivity), see the user's manual for Offset Calibration (on the CD-ROM).

6-5. Other Problems

Problem	Possible cause and remedy
1. The Setting menu does not appear.	<ul style="list-style-type: none"> • Check whether the operation lock function is active (see “Key Lock” (page 25)).
2. Cannot select items in the Setting menu.	<ul style="list-style-type: none"> • Items that are displayed with gray text cannot be changed.
3. No audio output.	<ul style="list-style-type: none"> • Check whether the stereo mini jack cable is connected properly. • Check whether volume is set to 0. • Check the PC and audio playback software to see whether they are configured correctly. • During DisplayPort signal input or HDMI signal input, check the “Sound Source” setting (see “Sound Source” (page 20)).
4. USB devices connected to the monitor do not work.	<ul style="list-style-type: none"> • Check whether the USB cable is correctly connected between the PC and the monitor. • Check whether the USB cable is correctly connected between the peripheral and the monitor. • Try using a different USB port on the monitor. • Try using a different USB port on the PC. • Reboot the PC. • When “Compatibility Mode” is set to “Off” in the “Administrator Settings” menu and the power of the monitor is turned off, devices connected to the USB downstream port are not operational. Change the setting for “Compatibility Mode” to “On” (refer to “Compatibility Mode” (page 25)). • If the peripheral devices work correctly when they are directly connected to the PC, contact your local EIZO representative. • Depending on the USB host controller you are using, the connected USB device may not be recognized properly. Update to the latest USB driver provided by the manufacturer, or connect the monitor to the USB 2.0 port. • Check the PC’s BIOS setting for USB when using Windows. (Refer to the manual of the PC for details.)
5. Cannot use the USB Hub function.	<ul style="list-style-type: none"> • When “Compatibility Mode” in the “Administrator Settings” menu is set to “Off” and the power of the monitor is off, the USB Hub function cannot be used. Set “Compatibility Mode” to “On” (see “Compatibility Mode” (page 25)).
6. Power indicator is flashing (orange).	<ul style="list-style-type: none"> • This symptom may occur when the PC is connected to the DisplayPort connector. Use a signal cable recommended by us for the connection. Turn the monitor off and on. • Check the connection and condition of the USB devices connected to the monitor. • Turn off the main power switch on the rear side of the monitor, and then turn it on again.
7. Even when the mouse or keyboard are used, the computer does not return from sleep.	<ul style="list-style-type: none"> • Turn the setting “On” for “Compatibility Mode” on the “Administrator Settings” menu (see “Compatibility Mode” (page 25)).

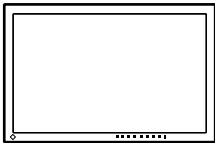
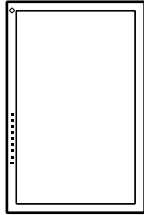

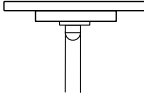
Chapter 7 Reference

7-1. Attaching the Optional Arm

An optional arm (or an optional stand) can be attached by removing the stand section. Please refer to our web site for the supported optional arm (or optional stand). www.eizoglobal.com

Attention

- When attaching an arm or stand, follow the instructions of the respective User's Manual.
- When using another manufacturer's arm or stand, confirm the following in advance and select one conforming to the VESA standard.
 - Clearance between screw holes: 100 mm × 100 mm
 - Plate thickness: 2.6 mm
 - Strong enough to support weight of the monitor unit (excluding the stand) and attachments such as cables.
- When using another manufacturer's arm or stand, use the screws as described below.
 - Screws fixing the stand to the monitor
- When attaching an arm or stand, the installable orientations and movement range (tilt angle) are as follows:

Orientation		
Movement range (tilt angle)	 0°	 Up: 90°

- Connect the cables after attaching an arm or stand.
- The monitor, arm, and stand are heavy. Dropping them may result in injury or equipment damage.
- Check periodically that the screws are tight enough. If the screws are not tight enough, the monitor may come unattached. This may be the cause of injury or damage.

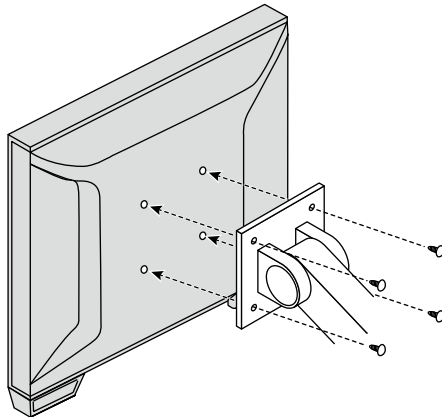
1. Lay the LCD monitor on a soft cloth spread over a stable surface with the panel surface facing down.

2. Remove the stand.

Using a screwdriver, loosen the screws securing the unit and the stand.

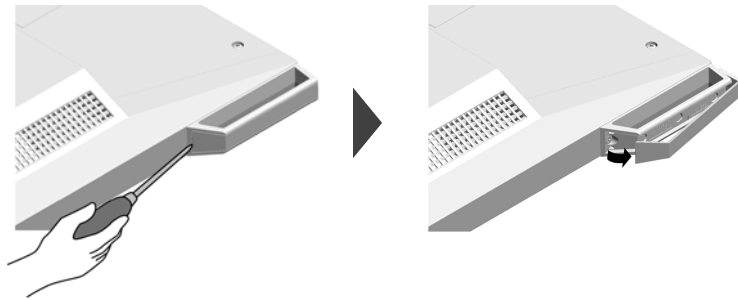
3. Attach the arm or stand to the monitor.

Secure the monitor to the arm or stand using the screws specified in the User's Manual of the arm or stand.

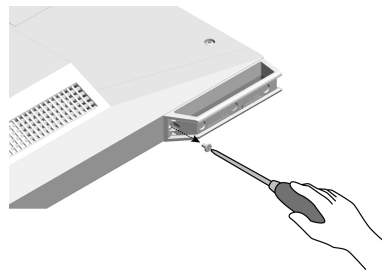


Note

- When setting the monitor in the portrait orientation, remove the feet on the bottom of the monitor according to the following procedure.
- Store the removed parts in a safe place.
 1. Remove the foot covers.



2. Remove the screw that secures each foot to the monitor.



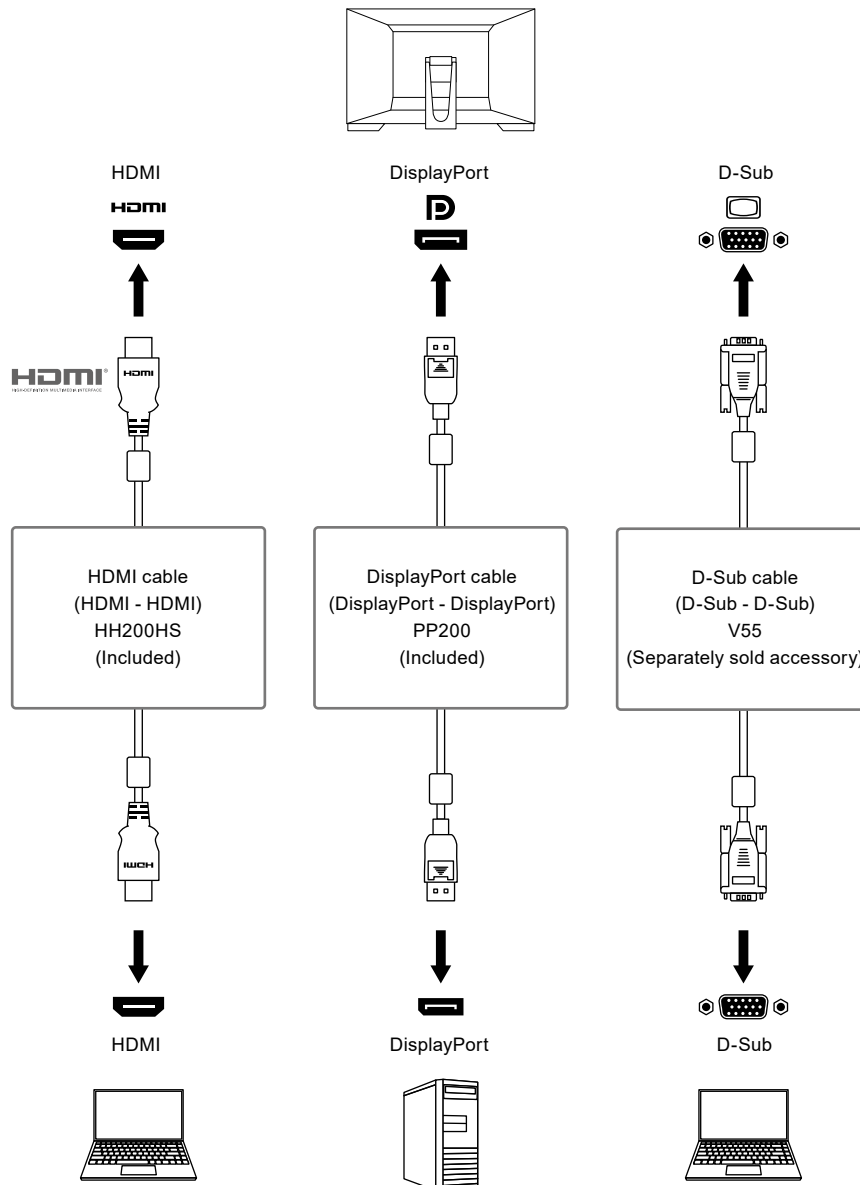
3. Slide each foot toward the edge of the monitor and remove them as shown below.
To cover the screw hole, adhere the screw cover sticker.



7-2. Connecting Multiple PCs

This product can be connected to multiple PCs and allows you to switch between the connections for display.


● Connection examples



Attention

- The touch panel only works on the USB-connected monitor.

Note

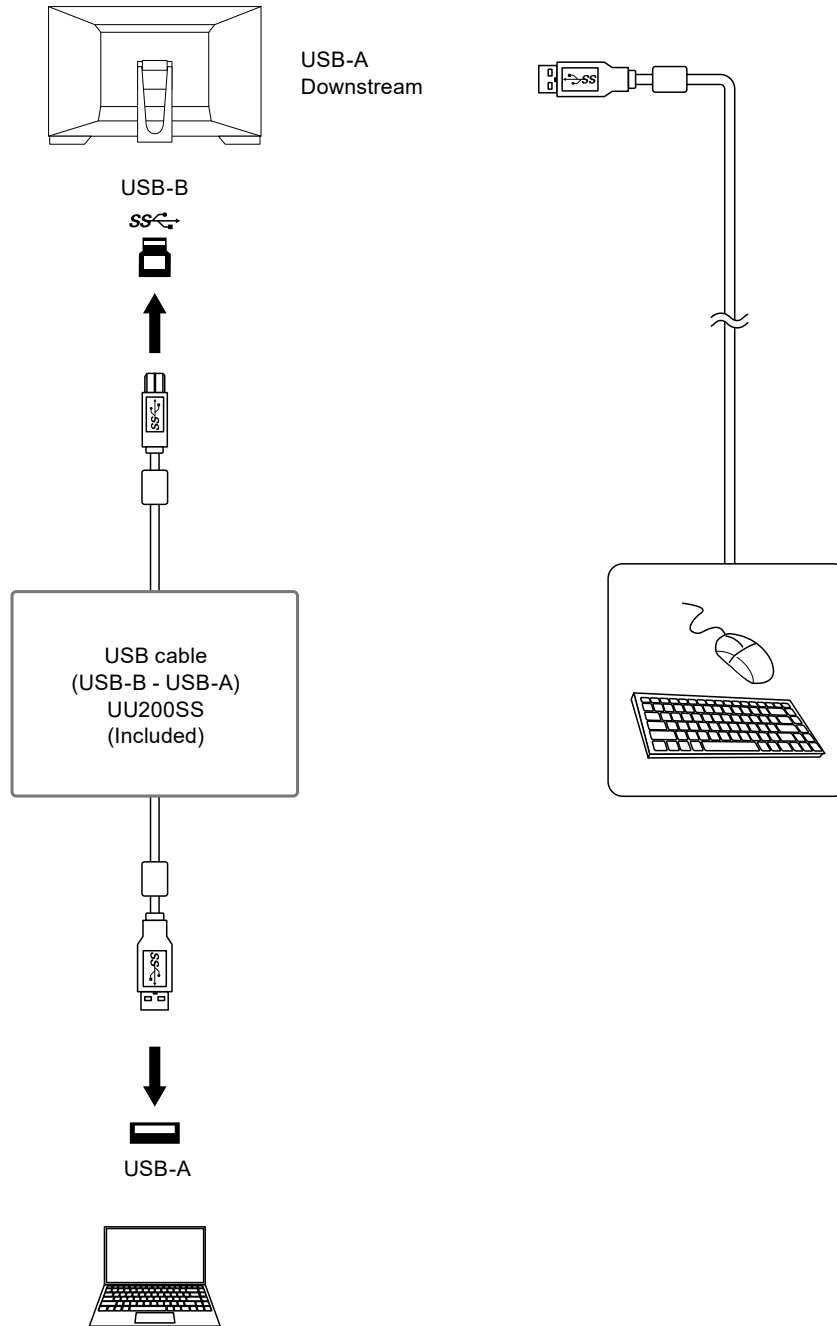
- You can select the input signal to display using the  control button on the side of the monitor. For details, see “2-2. Switching the Input Signal” (page 10).
- This product provides a function that automatically recognizes the connector through which PC signals are input, and displays images on the screen accordingly. For details, see “Auto Input Detection” (page 25).

7-3. Using the USB Hub Function

This monitor is equipped with a USB hub. It functions as a USB hub when connected to a USB-compatible PC, allowing the connection of peripheral USB devices.

● Connection Procedure

1. Connect the USB cable (UU200SS).
2. If necessary, connect a mouse, keyboard, or other device to the USB downstream port.



Attention

- This function may not work depending on the computer you are using, your OS and your peripheral devices. Contact the manufacturer of each device for information about USB compatibility.
- Even when the monitor is in power saving mode, devices connected to the USB downstream port are operational. Due to this, the power consumption of the monitor varies depending on the connected devices, even in power saving mode.
- When the main power of the monitor is off, a device connected to the USB downstream port will not operate.
- When “Compatibility Mode” (page 25) is set to “Off” and the power of the monitor is turned off, devices connected to the USB downstream port are not operational.

Note

- This product supports USB 3.1 Gen 1. When connecting to peripheral devices that support USB 3.1 Gen 1, high-speed data communication is possible.

7-4. Specifications

LCD Panel	Type	VA (Anti-Glare)	
	Backlight	LED	
	Size	54.7 cm (21.5 inch)	
	Resolution	1920 dots × 1080 lines	
	Display Size (H × V)	476.6 mm × 268.1 mm	
	Pixel Pitch	0.248 mm × 0.248 mm	
	Display Colors	8-bit colors: 16.77 million colors	
	Viewing Angle (H / V, typical)	178° / 178°	
	Response Time (typical)	Black-white-black: 25 ms	
Touch Panel	Surface treatment	Anti-glare	
	Surface hardness	7 H	
	Communication	USB-based	
	Detection method	Projected capacitive technology	
	OS*1	Microsoft Windows 11 (64 bit) Microsoft Windows 10 (32 bit / 64 bit) Microsoft Windows 8.1 (32 bit / 64 bit)	
	Number of simultaneous touch points	Max. 10 points	
Video Signals	Input Terminals	DisplayPort (compatible with HDCP 1.3) × 1, HDMI (compatible with HDCP 1.4)*2 × 1, D-Sub mini 15-pin × 1	
	Digital Scanning Frequency (H / V)	DisplayPort:	31 kHz to 68 kHz / 59 Hz to 61 Hz, 69 Hz to 71 Hz (at 720 × 400)
		HDMI:	31 kHz to 68 kHz / 49 Hz to 61 Hz, 69 Hz to 71 Hz (at 720 × 400)
	Analog Scanning Frequency (H / V)	D-Sub:	31 kHz to 81 kHz / 55 Hz to 76 Hz
	Frame Synchronization Mode		49 Hz to 61 Hz
	Max. Dot Clock		148.5 MHz

USB	Port	Upstream	USB-B (USB 3.1 Gen 1) × 1
		Downstream	USB-A (USB 3.1 Gen 1) × 2
	Standard	USB Specification Revision 3.1 Gen 1	
	Communication Speed	5 Gbps (super), 480 Mbps (high), 12 Mbps (full), 1.5 Mbps (low)	
	Supply Current	USB-A (USB 3.1 Gen 1): Maximum 900 mA per port*3	
Audio	Audio Input Format	DisplayPort:	2ch linear PCM (32 kHz / 44.1 kHz / 48 kHz / 88.2 kHz / 96 kHz / 176.4 kHz / 192 kHz)
		HDMI:	2ch linear PCM (32 kHz / 44.1 kHz / 48 kHz / 88.2 kHz / 96 kHz / 176.4 kHz / 192 kHz)
	Speakers	1 W + 1 W	
	Input Terminals	Stereo mini jack × 1 DisplayPort × 1, HDMI × 1 (both shared with video signal)	
Power	Input	100 - 240 VAC ±10 %, 50 / 60 Hz 0.75 A - 0.40 A	
	Maximum Power Consumption	42 W or less	
	Power Save Mode	0.4 W or less (no USB device is connected, "Compatibility Mode" in the "Administrator Settings" menu: "Off")	
	Standby Mode	0.4 W or less (no USB device connected, default settings)	
Physical Specifications	Dimensions	533.2 mm × 139.3 mm × 401.5 mm (W × H × D) (Tilt: 70°)	
		533.2 mm × 347.2 mm × 89.0 mm (W × H × D) (Tilt: 0°)	
	Dimensions (Without Stand)	533.2 mm × 325.7 mm × 54.0 mm (W × H × D)	
	Net Weight	Approx. 5.6 kg	
	Net Weight (Without Stand)	Approx. 5.1 kg	
	Tilt	Upward 15.0° to 70.0°	
Operating Environmental Requirements	Temperature	5 °C to 40 °C	
	Humidity	20 % to 90 % R.H. (no condensation)	
	Air Pressure	540 hPa to 1060 hPa	
Transportation / Storage Environmental Requirements	Temperature	-20 °C to 60 °C	
	Humidity	10 % to 90 % R.H. (no condensation)	
	Air Pressure	200 hPa to 1060 hPa	

*1 EIZO support will end when OS vendor support ends.

*2 HDMI CEC (or mutual control) is not supported.

*3 It is possible to supply power even if the PC and the monitor are not connected by USB.

● Accessories

For the latest information about accessories, refer to our web site www.eizoglobal.com.

7-5. Compatible Resolutions

The monitor supports the following resolutions.

√: Supported -: Not supported

Resolution	Vertical scan frequency (Hz)	DisplayPort	HDMI	D-Sub
640 × 480	59.940	√	√	√
640 × 480	60.000	√	√	-
640 × 480	72.809	-	-	√
640 × 480	75.000	-	-	√
720 × 400	70.087	√	√	√
720 × 480	59.940	√	√	-
720 × 480	59.941	√	√	-
720 × 480	60.000	√	√	-
720 × 576	50.000	-	√	-
800 × 600	56.250	-	-	√
800 × 600	60.317	√	√	√
800 × 600	72.188	-	-	√
800 × 600	75.000	-	-	√
1024 × 768	60.004	√	√	√
1024 × 768	70.069	-	-	√
1024 × 768	75.029	-	-	√
1280 × 720	50.000	-	√	-
1280 × 720	59.940	√	√	-
1280 × 720	60.000	√	√	√
1280 × 960	60.000	√	√	√
1280 × 1024	60.020	√	√	√
1280 × 1024	75.025	-	-	√
1680 × 1050	59.883	√	√	√
1680 × 1050	59.954	√	√	√
1920 × 1080 ^{*1}	50.000	-	√	-
1920 × 1080 ^{*1}	59.940	√	√	-
1920 × 1080 ^{*1}	60.000	√	√	√

*1 Recommended resolution

Note

- Only progressive is supported for the Scan Format.

Appendix

Trademark

The terms HDMI and HDMI High-Definition Multimedia Interface, and the HDMI Logo are trademarks or registered trademarks of HDMI Licensing, LLC in the United States and other countries.

The DisplayPort Compliance Logo and VESA are registered trademarks of the Video Electronics Standards Association.

The SuperSpeed USB Trident Logo is a registered trademark of USB Implementers Forum, Inc.



The USB Power Delivery Trident Logos are trademarks of USB Implementers Forum, Inc.



USB Type-C and USB-C are registered trademarks of USB Implementers Forum, Inc.

DICOM is the registered trademark of the National Electrical Manufacturers Association for its standards publications relating to digital communications of medical information.

Kensington and Microsaver are registered trademarks of ACCO Brands Corporation.

Thunderbolt is a trademark of Intel Corporation in the United States and/or other countries.

Microsoft and Windows are registered trademarks of Microsoft Corporation in the United States and other countries.

Adobe is a registered trademark of Adobe Systems Incorporated in the United States and other countries.

Apple, macOS, Mac OS, OS X, Macintosh and ColorSync are registered trademarks of Apple Inc.

ENERGY STAR is a registered trademark of the United States Environmental Protection Agency in the United States and other countries.

EIZO, the EIZO Logo, ColorEdge, CuratOR, DuraVision, FlexScan, FORIS, RadiCS, RadiForce, RadiNET, Raptor and ScreenManager are registered trademarks of EIZO Corporation in Japan and other countries.

ColorEdge Tablet Controller, ColorNavigator, EcoView NET, EIZO EasyPIX, EIZO Monitor Configurator, EIZO ScreenSlicer, G-Ignition, i-Sound, Quick Color Match, RadiLight, Re/Vue, SafeGuard, Screen Administrator, Screen InStyle, ScreenCleaner and UniColor Pro are trademarks of EIZO Corporation.

All other company names, product names, and logos are trademarks or registered trademarks of their respective owners.

License

The bitmap font used for this product is designed by Ricoh Industrial Solutions Inc.

Information for Radio Interference

For U.S.A., Canada Only

FCC Supplier's Declaration of Conformity

We, the Responsible Party

EIZO Inc.

5710 Warland Drive, Cypress, CA 90630

Phone: (562) 431-5011

declare that the product

Trade name: EIZO

Model: DuraVision FDF2182WT

is in conformity with Part 15 of the FCC Rules. Operation of this product is subject to the following two conditions: (1) this device may not cause harmful interference, and (2) this device must accept any interference received, including interference that may cause undesired operation.

This equipment has been tested and found to comply with the limits for a Class B digital device, pursuant to Part 15 of the FCC Rules. These limits are designed to provide reasonable protection against harmful interference in a residential installation. This equipment generates, uses, and can radiate radio frequency energy and, if not installed and used in accordance with the instructions, may cause harmful interference to radio communications. However, there is no guarantee that interference will not occur in a particular installation. If this equipment does cause harmful interference to radio or television reception, which can be determined by turning the equipment off and on, the user is encouraged to try to correct the interference by one or more of the following measures.

- * Reorient or relocate the receiving antenna.
- * Increase the separation between the equipment and receiver.
- * Connect the equipment into an outlet on a circuit different from that to which the receiver is connected.
- * Consult the dealer or an experienced radio/TV technician for help.

Changes or modifications not expressly approved by the party responsible for compliance could void the user's authority to operate the equipment.

Note

Use the attached specified cable below or EIZO signal cable with this monitor so as to keep interference within the limits of a Class B digital device.

- AC Cord
- Shielded Signal Cable (enclosed)

Canadian Notice

This Class B information technology equipment complies with Canadian ICES-003.
Cet équipement informatique de classe B est conforme à la norme NMB-003 du Canada.

LIMITED WARRANTY

EIZO Corporation (hereinafter referred to as “**EIZO**”) and distributors authorized by EIZO (hereinafter referred to as the “**Distributors**”) warrant, subject to and in accordance with the terms of this limited warranty (hereinafter referred to as the “**Warranty**”), to the original purchaser (hereinafter referred to as the “**Original Purchaser**”) who purchased the product specified in this document (hereinafter referred to as the “**Product**”) from EIZO or Distributors, that EIZO and Distributors shall, at their sole discretion, either repair or replace the Product at no charge if the Original Purchaser becomes aware within the Warranty Period (defined below) that the Product malfunctions or is damaged in the course of normal use of the Product in accordance with the description in the instruction manual of the Product (hereinafter referred to as the “**User’s Manual**”).

The period of this Warranty is three (3) years from the date of purchase of the Product (hereinafter referred to as the “**Warranty Period**”). EIZO and Distributors shall bear no liability or obligation with regard to the Product in relation to the Original Purchaser or any third parties other than as provided under this Warranty.

EIZO and Distributors will cease to hold or store any parts (excluding design parts) of the Product upon expiration of seven (7) years after the production of the Product is discontinued. In repairing the Product, EIZO and Distributors will use renewal parts which comply with our QC standards. If the unit cannot be repaired due to its condition or the stockout of a relevant part, EIZO and Distributors may offer the replacement by a product with equivalent performance instead of repairing it.

The Warranty is valid only in the countries or territories where the Distributors are located. The Warranty does not restrict any legal rights of the Original Purchaser.

Notwithstanding any other provision of this Warranty, EIZO and Distributors shall have no obligation under this Warranty whatsoever in any of the cases as set forth below:

- (a) Any defect of the Product caused by freight damage, modification, alteration, abuse, misuse, accident, incorrect installation, disaster, adherent dust, faulty maintenance and/or improper repair by third party other than EIZO and Distributors;
- (b) Any incompatibility of the Product due to possible technical innovations and/or regulations;
- (c) Any deterioration of the sensor, including measurement value of the sensor;
- (d) Any defect of the Product caused by external equipments;
- (e) Any defect of the Product caused by the use under environmental conditions other than EIZO and Distributors’ estimation;
- (f) Any deterioration of the attachments of the Product (e.g. cables, User’s Manual, CD-ROM, etc.);
- (g) Any deterioration of the consumables, and/or accessories of the Product (e.g. batteries, remote controller, touch pen, etc.);
- (h) Any deformation, discoloration, and/or warp of the exterior of the Product including that of the surface of the LCD panel;
 - (i) Any defect of the Product caused by placement in a location where it may be affected by strong vibration or shocks;
 - (j) Any defect of the Product caused by liquid leaking from battery;
 - (k) Any deterioration of display performance caused by the deterioration of expendable parts such as the LCD panel and/or backlight, etc. (e.g. changes in brightness, changes in brightness uniformity, changes in color, changes in color uniformity, defects in pixels including burnt pixels, etc.);
 - (l) Any deterioration or malfunction of the cooling fan caused by adherent dust.

To obtain service under the Warranty, the Original Purchaser must deliver the Product, freight prepaid, in its original package or other adequate package affording an equal degree of protection, assuming the risk of damage and/or loss in transit, to the local Distributor. The Original Purchaser must present proof of purchase of the Product and the date of such purchase when requesting services under the Warranty.

The Warranty Period for any replaced and/or repaired product under this Warranty shall expire at the end of the original Warranty Period.

EIZO OR DISTRIBUTORS ARE NOT RESPONSIBLE FOR ANY DAMAGE TO, OR LOSS OF, DATA OR OTHER INFORMATION STORED IN ANY MEDIA OR ANY PART OF ANY PRODUCT RETURNED TO EIZO OR DISTRIBUTORS FOR REPAIR.

EIZO AND DISTRIBUTORS MAKE NO FURTHER WARRANTIES, EXPRESSED OR IMPLIED, WITH RESPECT TO, INCLUDING, WITHOUT LIMITATION, THE PRODUCT AND ITS QUALITY, PERFORMANCE, MERCHANTABILITY OR FITNESS FOR ANY PARTICULAR USE. IN NO EVENT SHALL EIZO OR DISTRIBUTORS BE LIABLE FOR ANY INCIDENTAL, INDIRECT, SPECIAL, CONSEQUENTIAL OR OTHER DAMAGE WHATSOEVER (INCLUDING, WITHOUT LIMITATION, DAMAGES FOR LOSS OF PROFIT, BUSINESS INTERRUPTION, LOSS OF BUSINESS INFORMATION, OR ANY OTHER PECUNIARY LOSS) ARISING OUT OF THE USE OR INABILITY TO USE THE PRODUCT OR IN ANY CONNECTION WITH THE PRODUCT, WHETHER BASED ON CONTRACT, TORT, NEGLIGENCE, STRICT LIABILITY OR OTHERWISE, EVEN IF EIZO OR DISTRIBUTORS HAVE BEEN ADVISED OF THE POSSIBILITY OF SUCH DAMAGES. THIS EXCLUSION ALSO INCLUDES ANY LIABILITY WHICH MAY ARISE OUT OF THIRD PARTY CLAIMS AGAINST THE ORIGINAL PURCHASER. THE ESSENCE OF THIS PROVISION IS TO LIMIT THE POTENTIAL LIABILITY OF EIZO AND DISTRIBUTORS ARISING OUT OF THIS LIMITED WARRANTY AND/OR SALES.

Recycling Information

Recycling Information

This product, when disposed of, is supposed to be collected and recycled according to your country's legislation to reduce environmental burden. When you dispose of this product, please contact a distributor or an affiliate in your country.

The contact addressees are listed on the EIZO website below.

www.eizoglobal.com

For recycling information for customers in Switzerland, please refer to the following website.

www.swico.ch

Informationen zum Thema Recycling

Dieses Produkt muss gemäß den Vorschriften Ihres Landes zur Entlastung der Umwelt recyclet werden. Wenden Sie sich bei der Entsorgung dieses Produkts an einen Verteiler oder eine Tochtergesellschaft in Ihrem Land.

Die Adressen zur Kontaktaufnahme sind auf der unten angegebenen Website von EIZO aufgeführt.

www.eizoglobal.com

Kunden in der Schweiz entnehmen Informationen zum Recycling der folgenden Website:

www.swico.ch

Informations sur le recyclage

Ce produit doit être jeté aux points de collecte prévus à cet effet et recyclé conformément à la législation de votre pays, afin de réduire l'impact sur l'environnement. Lorsque vous jetez ce produit, veuillez contacter un distributeur ou une société affiliée de votre pays.

Les adresses des distributeurs sont répertoriées sur le site Web EIZO ci-dessous.

www.eizoglobal.com

Pour les clients en Suisse, veuillez consulter le site Web suivant afin d'obtenir des informations sur le recyclage.

www.swico.ch

Información sobre reciclaje

Este producto debe desecharse y reciclarse según la legislación del país para reducir el impacto medioambiental.

Cuando desee deshacerse de este producto, póngase en contacto con un distribuidor o una filial de su país.

Encontrará las direcciones de contacto en el sitio web de EIZO que se indica a continuación.

www.eizoglobal.com

Informazioni sul riciclaggio

Per lo smaltimento e il riciclaggio del presente prodotto, attenersi alle normative vigenti nel proprio paese per ridurre l'impatto ambientale. Per lo smaltimento, rivolgersi ad un distributore o un affiliato presenti nel proprio paese.

Gli indirizzi sono elencati nel sito Web EIZO riportato di seguito.

www.eizoglobal.com

Per informazioni sul riciclaggio per i clienti in Svizzera, consultare il sito Web riportato di seguito.

www.swico.ch

Återvinningsinformation

När denna produkt kasseras ska den hanteras och återvinnas enligt landets föreskrifter för att reducera miljöpåverkan.

När du kasserar produkten ska du kontakta en distributör eller representant i ditt land.

Kontaktadresserna listas på EIZO-webbplatsen nedan.

www.eizoglobal.com

Πληροφορίες ανακύκλωσης

Το προϊόν αυτό, όταν απορρίπτεται, πρέπει να συλλέγεται και να ανακυκλώνεται σύμφωνα με τη νομοθεσία της χώρας σας έτσι ώστε να μην επιβαρύνει το περιβάλλον. Για να απορρίψετε το προϊόν, επικοινωνήστε με έναν αντιπρόσωπο ή μια θυγατρική εταιρεία στη χώρα σας.

Οι διευθύνσεις επικοινωνίας αναγράφονται στην τοποθεσία web της EIZO παρακάτω.

www.eizoglobal.com

Сведения по утилизации

По истечении срока службы данного продукта его следует принести на сборный пункт и утилизировать в соответствии с действующими предписаниями в вашей стране, чтобы уменьшить вредное воздействие на окружающую среду. Прежде чем выбросить данный продукт, обратитесь к дистрибьютору или в местное представительство компании в вашей стране.

Контактные адреса можно найти на веб-узле EIZO.

www.eizoglobal.com

Informatie over recycling

Wanneer u dit product wilt weggooien, moet het uit milieu-overwegingen worden verzameld en gerecycled volgens de betreffende wetgeving van uw land. Wanneer u dit product wilt weggooien, moet u contact opnemen met een distributeur of een partner in uw land.

De contactadressen worden vermeld op de volgende EIZO-website.

www.eizoglobal.com

Informação sobre reciclagem

Este produto, quando o deitar fora, deve ser recolhido e reciclado de acordo com a legislação do seu país para reduzir a poluição. Quando deitar fora este produto, contacte um distribuidor ou uma filial no seu país.

Os endereços de contacto estão listados no website do EIZO, abaixo.

www.eizoglobal.com

Oplysninger om genbrug

Dette produkt forventes ved bortskaffelse at blive indsamlet og genbrugt i overensstemmelse med lovgivningen i dit land for at reducere belastningen af miljøet. Når du bortskaffer denne produkt, skal du kontakte en distributør eller et tilknyttet selskab i dit land.

Adresserne på kontaktpersonerne er angivet på EIZO's websted nedenfor.

www.eizoglobal.com

Kierrätystä koskevia tietoja

Tuote tulee hävittää kierrättämällä maan lainsäädännön mukaisesti ympäristön kuormittumisen vähentämiseksi. Kun hävität tuotteen, ota yhteyttä jälleenmyyjään tai tytäryhtiöön maassasi.

Yhteystiedot löytyvät EIZOn Internet-sivustolta.

www.eizoglobal.com

Wykorzystanie surowców wtórnych

Ten produkt po zużyciu powinien być zbierany i przetwarzany zgodnie z krajowymi przepisami dotyczącymi ochrony środowiska. Wyrzucając ten produkt, należy skontaktować się z lokalnym dystrybutorem lub partnerem.

Adresy kontaktowe można znaleźć we wskazanej poniżej witrynie internetowej firmy EIZO.

www.eizoglobal.com

Informace o recyklaci

Při likvidaci produktu musí být produkt vyzvednut a recyklován podle zákonů příslušné země, aby nedocházelo k zatěžování životního prostředí. Zbavujete-li se produktu, kontaktujte distributora nebo pobočku ve své zemi.

Kontaktní adresy jsou uvedeny na následující webové stránce společnosti EIZO.

www.eizoglobal.com

Ringlussevõtu alane teave

Keskkonnakoormuse vähendamiseks tuleks kasutatud tooted kokku koguda ja võtta ringlusse vastavalt teie riigi seadustele. Kui kõrvaldate käesoleva toote, võtke palun ühendust turustaja või filiaaliga oma riigis.

Kontaktisikud on toodud EIZO veebilehel järgmisel aadressil:

www.eizoglobal.com

Újrahasznosítási információ

Jelen terméket, amikor eldobjuk, az illető ország törvényei alapján kell összegyűjteni és újrahasznosítani, hogy csökkentsük a környezet terhelését. Amikor ezt a terméket eldobja, kérjük lépjen kapcsolatba egy országon belüli forgalmazóval vagy társvállalkozással.

A kapcsolat címei az EIZO alábbi weboldalán található felsorolva:

www.eizoglobal.com

Podatki o recikliranju

Ob koncu uporabe odslužen izdelek izročite na zbirno mesto za recikliranje v skladu z okoljevarstveno zakonodajo vaše države. Prosimo, da se pri odstranjevanju izdelka obrnete na lokalnega distributerja ali podružnico.

Kontaktni naslovi so objavljeni na spodaj navedenih spletnih straneh EIZO:

www.eizoglobal.com

Informácie o recyklácii

Pri likvidácii musí byť tento výrobok recyklovaný v súlade s legislatívou vašej krajiny, aby sa znížilo zaťaženie životného prostredia. Keď sa chcete zbaviť tohto výrobku, kontaktujte prosím distribútora alebo pobočku vo vašej krajine.

Zoznam kontaktných adries je uvedený na nasledovnej webovej stránke firmy EIZO:

www.eizoglobal.com

Pārstrādes informācija

Utilizējot šo produktu, tā savākšana un pārstrāde veicama atbilstoši jūsu valsts likumdošanas prasībām attiecībā uz slodzes uz vidi samazināšanu. Lai veiktu šī produkta utilizāciju, sazinieties ar izplatītāju vai pārstāvniecību jūsu valstī. Kontaktadreses ir norādītas zemāk minētajā EIZO tīmekļa vietnē.

www.eizoglobal.com

Informacija apie gražinamąjį perdirbimą

Šalinant (išmetant) šiuos gaminius juos reikia surinkti ir perdirbti gražinamuoju būdu pagal jūsų šalies teisės aktus, siekiant sumažinti aplinkos teršimą. Kai reikia išmesti šį gaminį, kreipkitės į jūsų šalyje veikiančią gaminių pardavimo atstovybę arba jos filialą.

Kontaktiniai adresatai nurodyti EIZO interneto svetainėje.

www.eizoglobal.com

Информация относительно рециклиране

При изхвърлянето на този продукт се предлага събирането и рециклирането му съобразно законите на вашата страна за да се намали замърсяването на околната среда. Когато искате да се освободите от този продукт, моля свържете се с търговския му представител или със съответните органи отговарящи за това във вашата страна.

Данните за връзка с нас са описани на следния Интернет сайт на EIZO:

www.eizoglobal.com

Informație referitoare la reciclare

Acest produs, când debarasat, trebuie colectat și reciclat conform legislației țării respective ca să reducem sarcina mediului. Când se debarasează de acest produs, vă rugăm să contactați un distribuitor sau un afiliat al țării respective.

Adresele de contact le găsiți pe pagina de web al EIZO:

www.eizoglobal.com

معلومات عن اعادة التدوير

عند التخلص من هذا المنتج، من الضروري تجميعه واعادة تدويره وفقاً للقوانين المتبعة في بلدك لتقليل العبء المسلط على البيئة. عندما تتخلص من هذا المنتج، يرجى الاتصال بموزع أو طرف منتسب إليه في بلدك. عناوين الاتصال مدرجة في موقع ايزو EIZO ادناه على شبكة الانترنت.

www.eizoglobal.com

Gerı Dönüşüm Bilgisi

Bu ürünün, atılacağı zaman, ülkenizin çevre kirliliğinin azaltılması konusundaki mevzuatına göre toplanması ve yeniden değerlendirilmesi gerekmektedir. Ürünü atacağınız zaman lütfen ülkenizdeki bir distribütör veya ilgili kuruluşla temasa geçiniz.

İrtibat adresleri aşağıdaki EIZO web sitesinde verilmiştir.

www.eizoglobal.com



EIZO Corporation

www.eizoglobal.com

Copyright © 2021 - 2022 EIZO Corporation. All rights reserved.

03V28791B1
UM-FDF2182WT

2nd Edition - October, 2022