



**THE BEST SUPPORT  
FOR YOUR AV & IT HARDWARE**  
T: + 31(0)23-5478888 | E: info@newstar.eu | W: www.newstar.eu

## DS15-050SL1

## NEWSTAR TABLET STAND

NewStar tablet stand - Silver



### SPECIFICATIONS

<b>Cable management</b>	Yes
<b>Color</b>	Silver
<b>Depth</b>	13,4 cm
<b>Desk mount</b>	Stand
<b>Height</b>	14,1 cm
<b>Height adjustment</b>	None
<b>Max. screen size</b>	11
<b>Max. weight</b>	0
<b>Min. screen size</b>	0
<b>Min. weight</b>	0
<b>Screens</b>	1
<b>Tilt (degrees)</b>	90°
<b>Type</b>	Tilt
<b>Warranty</b>	5 year
<b>Width</b>	8,3 cm
<b>EAN code</b>	8717371448462

The NewStar DS15-050SL1 is a stand for smartphones and tablets up to 11". The clever tilt option (90°) allows the stand to change to the ideal viewing angle. The tablet stand is ideal for hands-free video calling, watching a movie or playing a game.

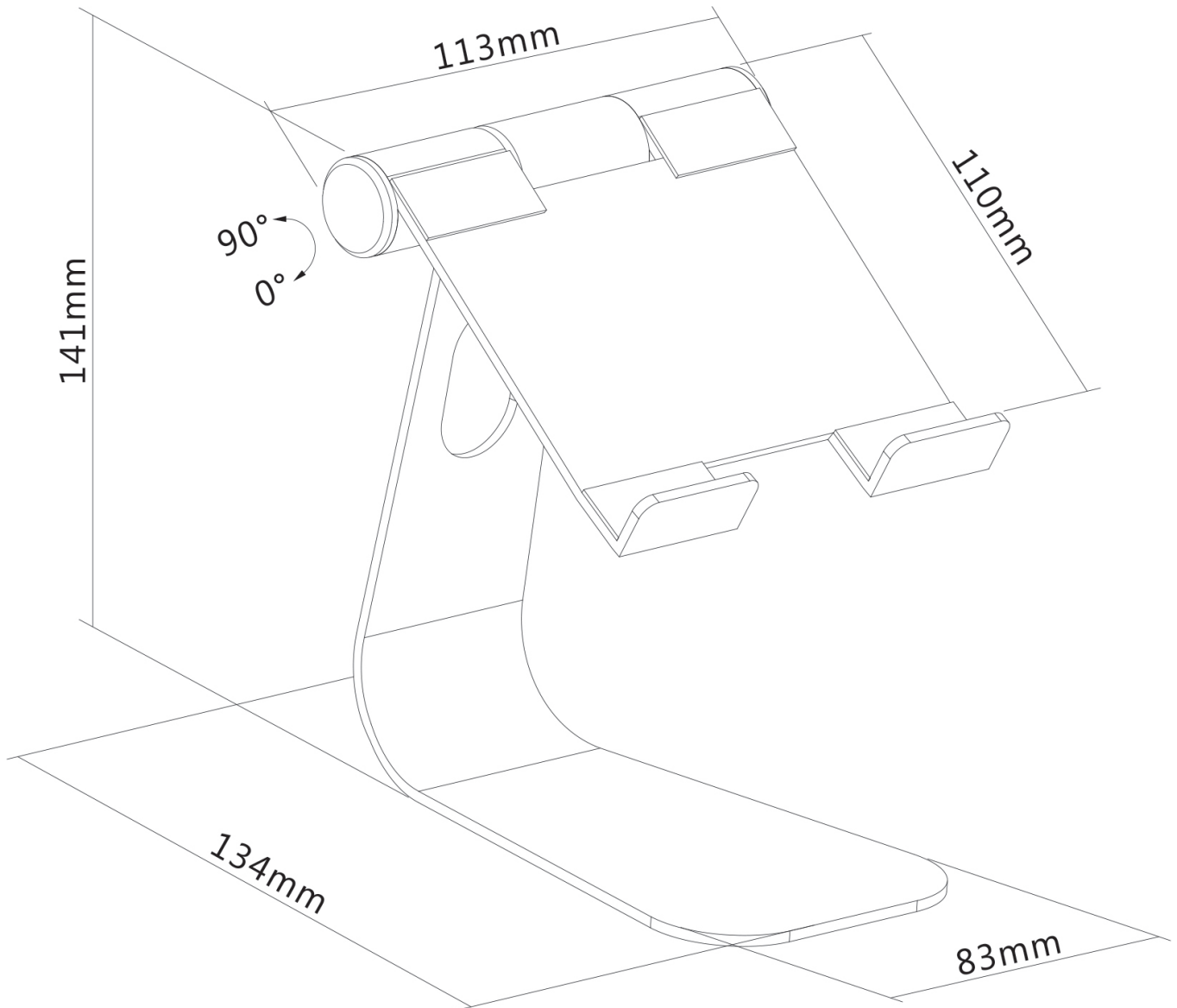
Thanks to the open configuration, the charging port remains accessible and charging wires can be routed to the back of the stand. The lightweight, compact design makes the stand ideal to take with you wherever you want. The anti-skid silicon pads and safety ledge stopper ensure solid positioning of your tablet.



**THE BEST SUPPORT  
FOR YOUR AV & IT HARDWARE**  
T: + 31(0)23-5478888 | E: info@newstar.eu | W: www.newstar.eu

## DS15-050SL1

## NEWSTAR TABLET STAND



NewStar Products Europe B.V.  
Wateringweg 62/B  
2031 EJ HAARLEM  
THE NETHERLANDS

Phone : +31(0)23-5478888  
Fax : +31(0)23-5478889  
Email : info@newstar.nl  
Website : www.newstar.eu

NewStar cannot be held liable for any inaccuracies and copyrights.  
No part of this publication may be reproduced and/or published by print, photocopy, microfilm or in any other way, without prior written permission of NewStar Computer Products Europe BV.