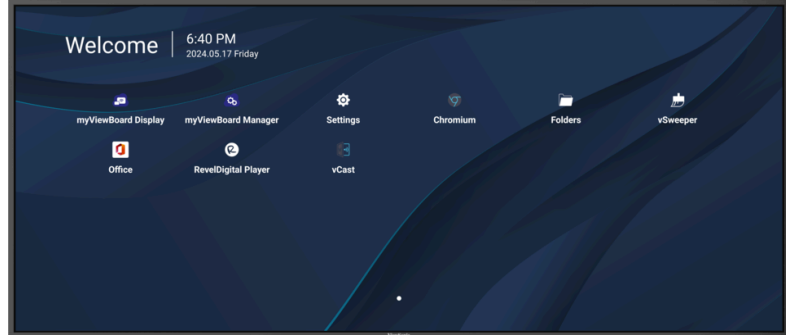


ViewSonic® COMMERCIAL DISPLAY

CDE105UW

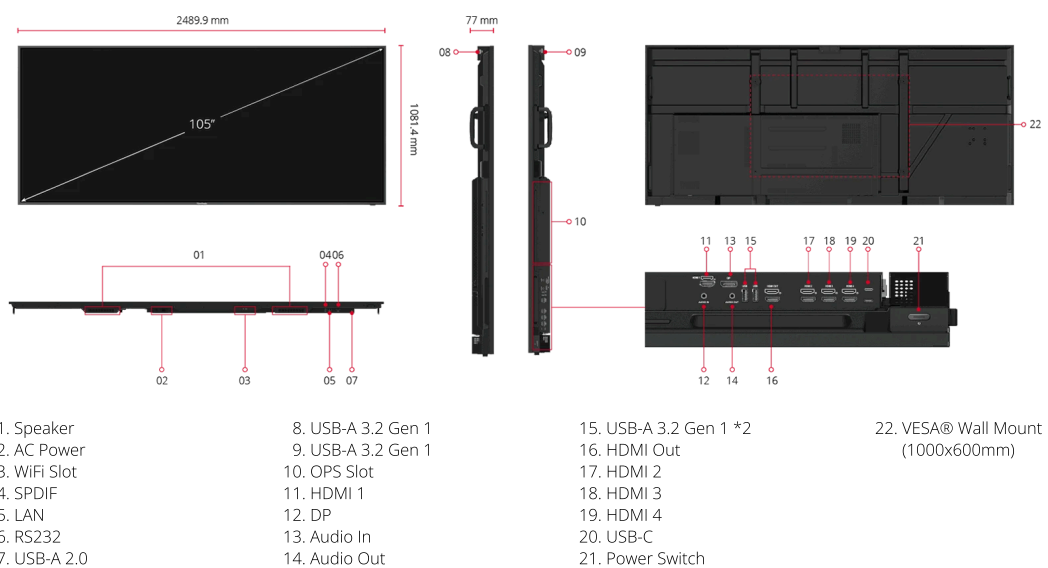
Key Features

- Ultrawide 105" display with 5K resolution for immersive, crystal-clear visuals
- Reliable commercial-grade display ensures smooth multimedia playback 24/7.
- 21:9 aspect ratio optimized for Microsoft Teams Rooms Front Row mode.
- Ultra-slim bezel for sleek, contemporary aesthetic
- Portrait layout capability for versatile and high-impact digital signage.



Product Description

The CDE105UW is an ultrawide 105" digital display delivering stunning image performance with 5K resolution. Designed for both corporate and commercial use, it features a 21:9 aspect ratio, providing 33% more screen real estate than a comparable 16:9 display, making it ideal for Microsoft Teams Rooms and Front Row Mode. Powered by an octa-core SoC running Android 13, the CDE105UW enables seamless multitasking with a USB-C port that delivers 100W and multiple wireless content sharing options. It also supports daisy chaining and comes pre-installed with ViewSonic Manager, a centralized platform that streamlines corporate communication and enhances operational efficiency.



Visit Us

www.viewsonic.com

DISPLAY

| | |
|--------------------|---|
| Panel Size: | 105" |
| Type/ Tech: | TFT LCD Module with DLED Backlight, VA |
| Display Area (mm): | 2449.92(H) x 1033.56(V) (105" diagonal) |
| Native Resolution: | 5120 x 2160 |
| Aspect Ratio: | 21:9 |
| Colors: | 1.07G colors (8bits+ 2bits FRC) |
| Brightness: | 500nits (typ.) |
| Contrast Ratio: | 5000:1 (typ.) |
| Response Time: | <14ms |
| Viewing Angles: | H = 178, V = 178 (Typ.) |
| Backlight Life: | 50,000 hrs (typ.) |
| Surface Treatment: | Panel Hard Coating 3H |
| Bezel: | 18/18/18/18 mm |
| Orientation: | Landscape & Portrait |

PLATFORM

| | |
|------------|-------------------------------|
| Processor: | Octa-Core CPU (A76*4 + A55*4) |
| RAM: | DDR4 8GB |
| Storage: | 128GB (eMMC) |

INPUT

| | |
|--------------|-------------------------------------|
| HDMI: | Rear x 4 (HDMI 2.1x 1, HDMI 2.0 x3) |
| DisplayPort: | 1 |
| Audio: | 1 (3.5mm phone jack) |
| RS-232: | 1 |
| OPS Slot: | 1 (OPS Slot 80pin) |
| WiFi Slot: | 1 (Module Slot) |

OUTPUT

| | |
|--------|--------------|
| HDMI: | 1 |
| Audio: | 1 (Line Out) |
| SPDIF: | 1 |

LAN

| | |
|-------|---|
| RJ45: | 1 in 1 out (Android & PC 10M/100M/1000Mbps) |
|-------|---|

USB

| | |
|---------|---|
| Type A: | REAR x 1 (USB2.0 support OTG) REAR x 2 (USB 3.2 Gen 1) TOP x 2 (USB3.2 Gen 1) support Smart USB |
| Type C: | REAR x1 (PD100W+ DP1.2 + USB2.0, 100M ethernet) support smart USB (dynamic PD: W/OPS 65W, W/O OPS 100W) |

SPEAKERS

| |
|-------------------------------|
| 20W x 2 + 20W x 1 (Subwoofer) |
|-------------------------------|

COMPATIBILITY

| | |
|--------------|---|
| HDMI: | HDMI 1: 5120x2160 @60Hz (YUV444) 5120x2160 @30Hz (YUV420) HDMI 2/3/4: 3840x2160 @60Hz |
| DisplayPort: | 5120 x 2160 |

EMBEDDED OS

| |
|------------|
| Android 13 |
|------------|

POWER

| | |
|--------------|-------------------------------|
| Voltage: | 100-240VAC +/- 10% Wide Range |
| Consumption: | Normal 320W, Max 800W |

ERGONOMICS

| | |
|---------------------|---------------|
| Wall Mount (VESA®): | 1000 x 600 mm |
|---------------------|---------------|

OPERATING CONDITIONS

| | |
|--------------------|-----------------------------|
| Temperature (° C): | 0°C to 40°C |
| Humidity: | 20% ~ 80% RH non-condensing |

OPERATING HOURS

| |
|------|
| 24/7 |
|------|

DIMENSIONS (W X H X D)

| | |
|------------------------|---|
| Physical (inch / mm): | 98.03 x 42.57 x 3.03 in / 2489.9 x 1081.4 x 77 mm |
| Packaging (inch / mm): | 105.04 x 48.54 x 11.02 in/2668 x 1233 x 280 mm |

WEIGHT

| | |
|------------------|---------------------|
| Net (lb / kg): | 116.96 lb/ 53.05 kg |
| Gross (lb / kg): | 163.14 lb/74 kg |

REGULATIONS

cTUVus,FCC/ICES003,CE/EMC,CB/LVD,EAC,UkrSEPRO,UKCA,UK-EEL,LBL,FF,ErP-EEL,WEEE,Green BOM,RoHS DoC,ErP-Eco,REACH, EPEAT

PACKAGE CONTENTS

1. 3m power cord by ship area
2. Type C cable 1.8m(USB-IF certified)
3. Remote control with AAA battery x2
4. Quick Start Guide
5. RS232 adapter
6. Clamp x 5
7. Camera Plate x 2(1 for VB-CAM-201, 1 for UMB202)
8. Screw x 8 (camera 2+2, wall mount 4)
9. HDMI cable 3m(HDMI LA certified)
10. Compliance statement