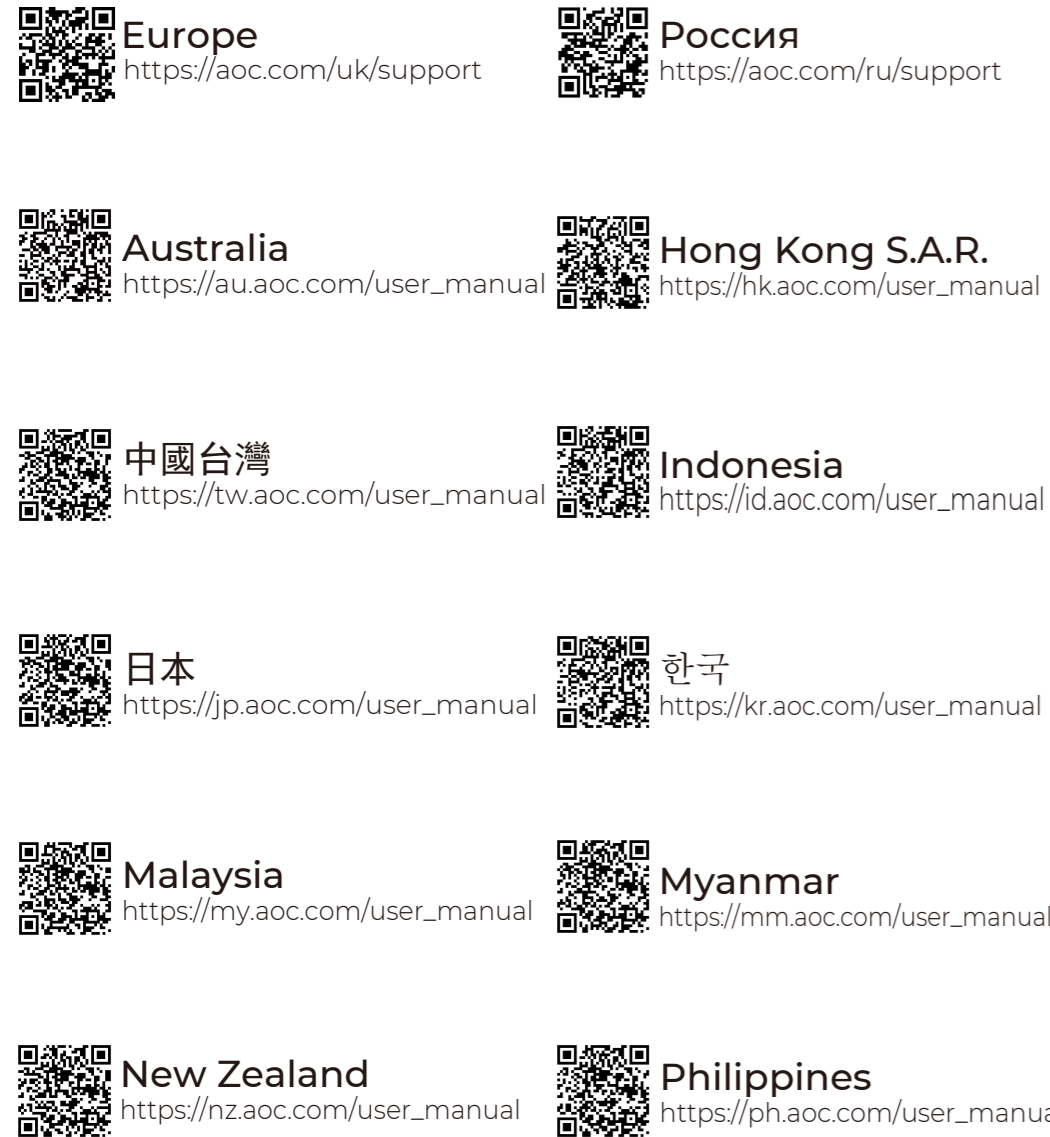
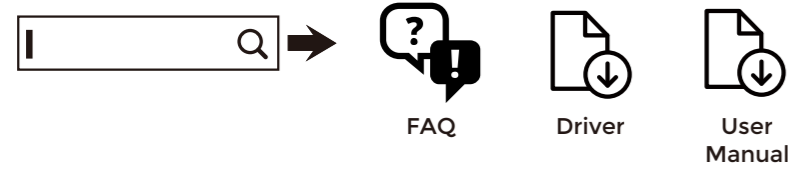


Find your product and get support



Product information for EU/UK Energy



AOC
GAMING

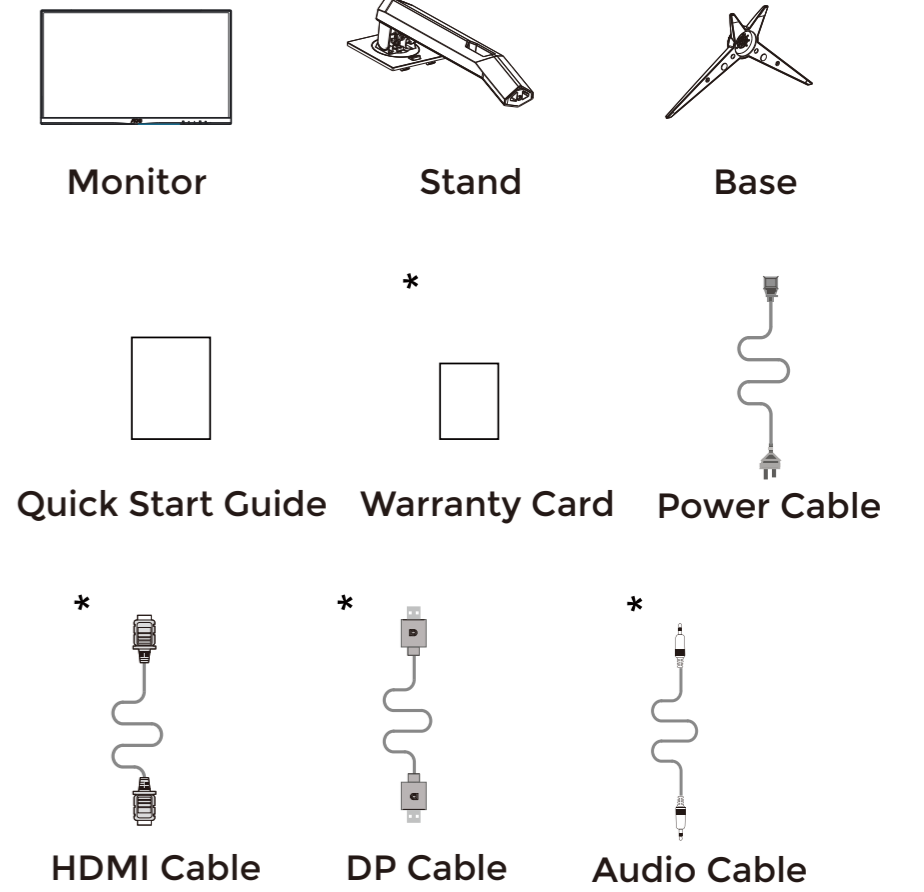


Quick Start Guide

C27G2Z3/BK

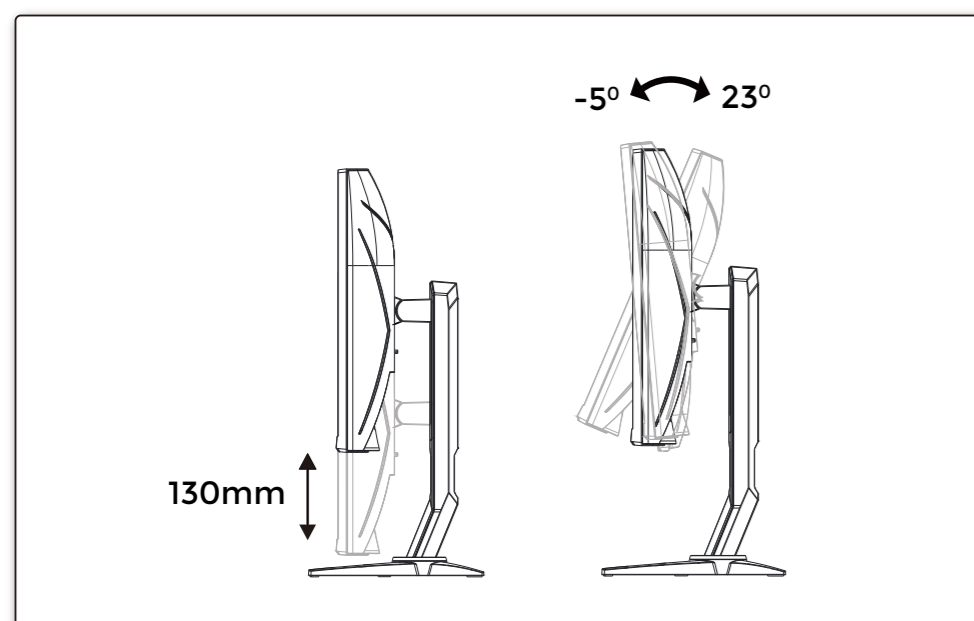
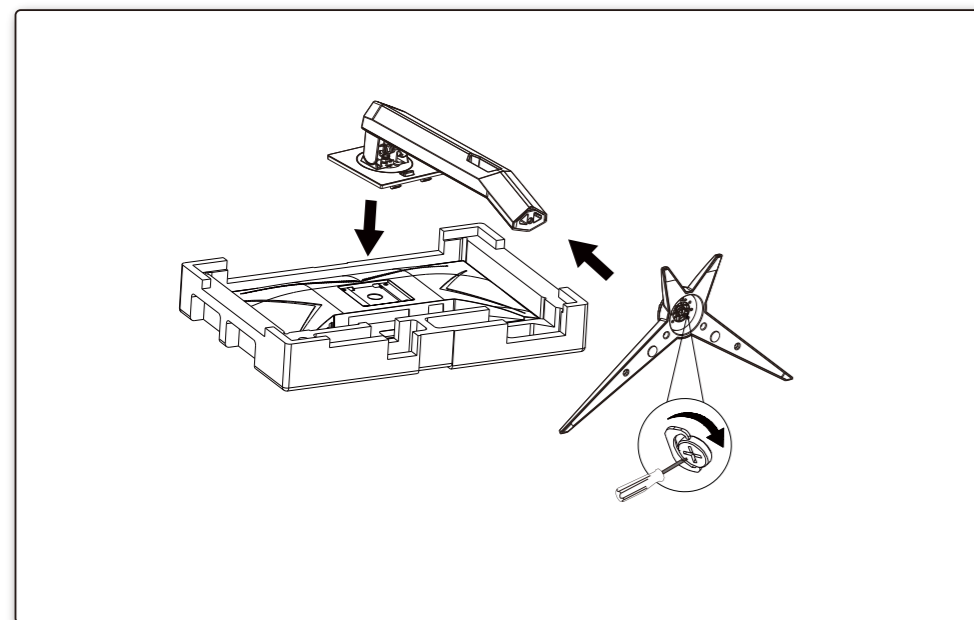
www.aoc.com
©2024 AOC. All Rights Reserved

HDMI
HIGH-DEFINITION MULTIMEDIA INTERFACE

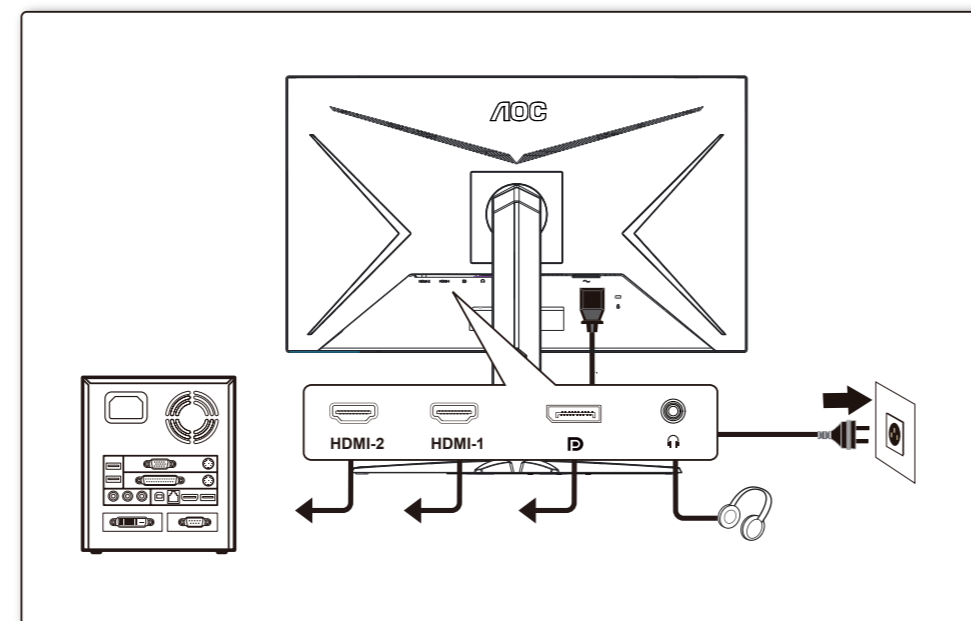
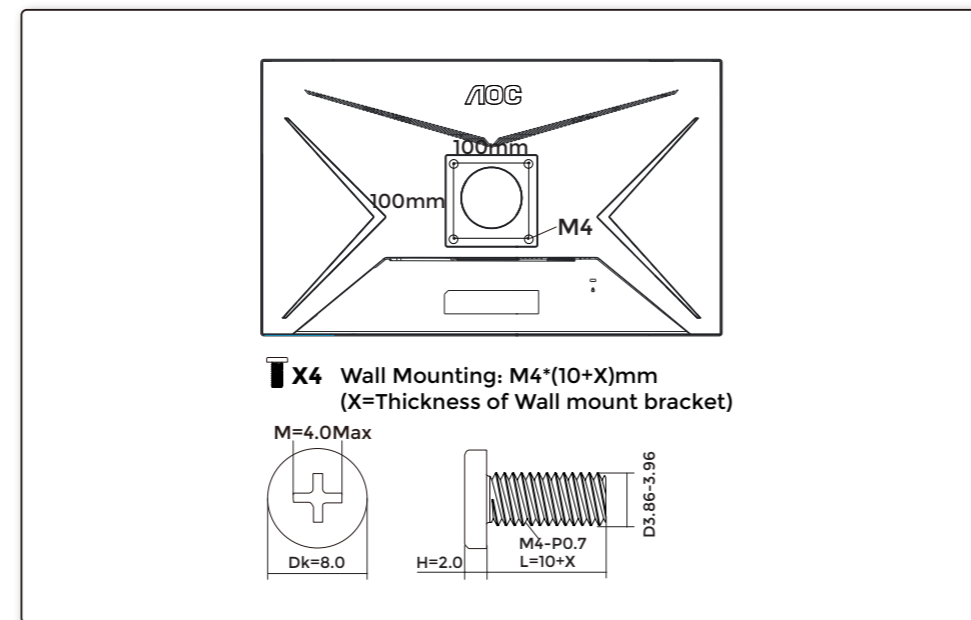


*Different according to countries/regions
Display design may differ from that illustrated

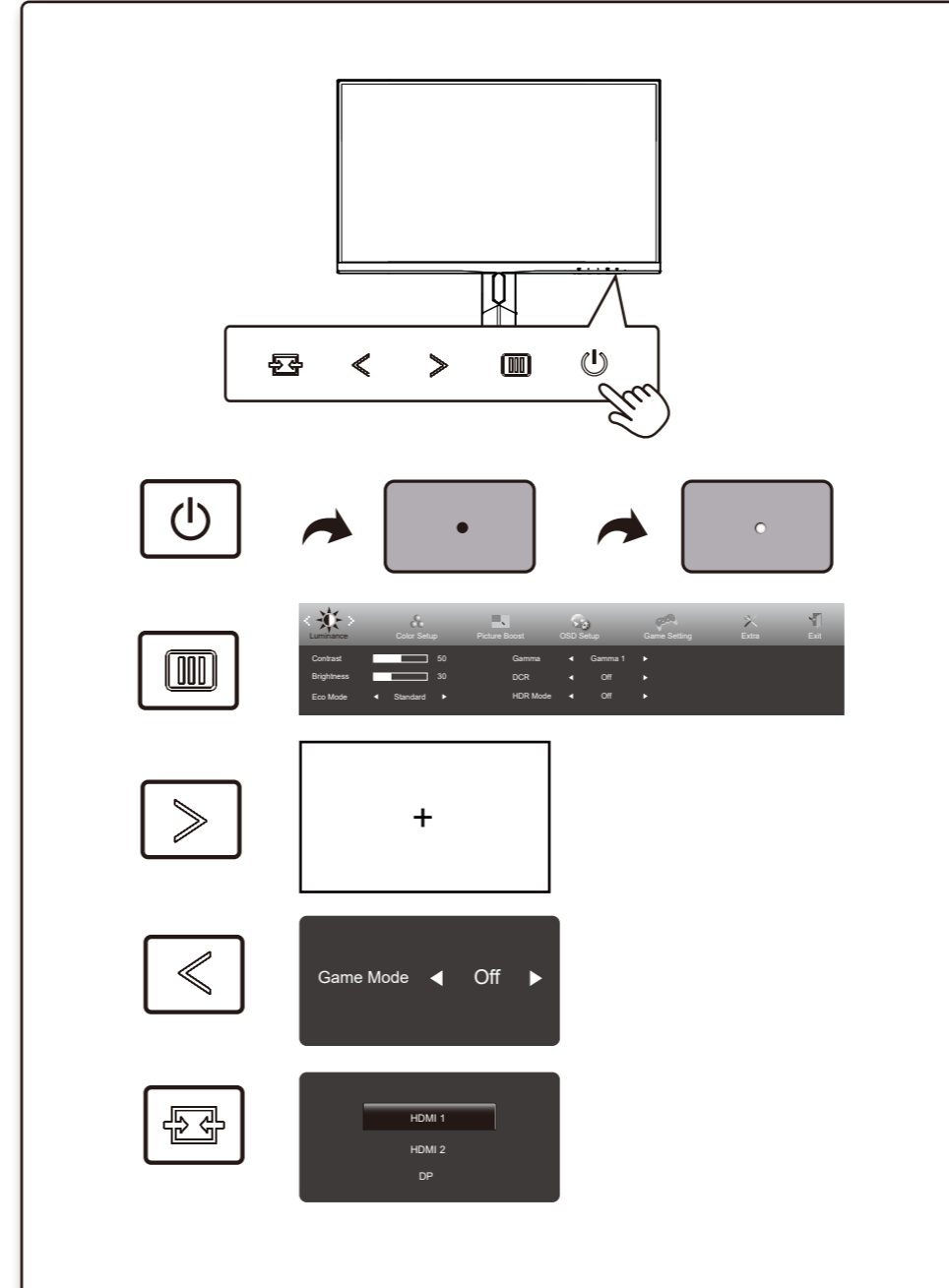
1



2



3



4

General Specification

Panel	Model Name	C27G2Z3/BK		
	Driving System	TFT Color LCD		
	Viewable Image Size	68.6cm Diagonal(27" Wide Screen)		
	Pixel Pitch	0.3114mm(H) x 0.3114mm(V)		
Others	Horizontal Scan Range	30k-280kHz (HDMI)		
	Horizontal Scan Size(Maximum)	597.888mm		
	Vertical Scan Range	48-250Hz (HDMI)		
	Vertical Scan Size(Maximum)	336.312mm		
	Max Resolution	1920x1080@250Hz (HDMI)		
	Plug & Play	VESAs DDC2B/CI		
	Power Source	100-240V~ 50/60Hz 1.5A		
	Power Consumption	Typical(Default Brightness And Contrast)	32W	
		Max. (Brightness = 100, Contrast = 100)	≤ 45W	
		Standby Mode	≤ 0.3W	
Dimensions(with stand)	612.4x(398.6-528.6)x227.4 mm (WxHxD)			
Net Weight	5.34kg			
Physical Characteristics	Connector Type	HDMIx2/DP/Earphone		
	Signal Cable Type	Detachable		
Environmental	Temperature	Operating	0°C-40°C	
		Non-Operating	-25°C-55°C	
	Humidity	Operating	10%-85% (Non-Condensing)	
		Non-Operating	5%-93% (Non-Condensing)	
Altitude	Operating	0m-5000m (0ft-16404ft)		
	Non-Operating	0m-12192m (0ft-40000ft)		

*:Overclocking is achieved when resolution is at 1920x1080@280Hz. If any display error occurs during overclocking, please adjust the refresh rate to 240Hz.