

Dell 6-in-1 USB-C Multiport Adapter DA305

User's Guide

Regulatory Model: DA305z/DA305u



Notes, cautions, and warnings



NOTE: A NOTE indicates important information that helps you make better use of your PC.



CAUTION: A CAUTION indicates either potential damage to hardware or loss of data and tells you how to avoid the problem.



WARNING: A WARNING indicates a potential for property damage, personal injury, or death.

© 2022 Dell Inc. or its subsidiaries. All rights reserved. Dell, EMC, and other trademarks are trademarks of Dell Inc. or its subsidiaries. Other trademarks may be trademarks of their respective owners.

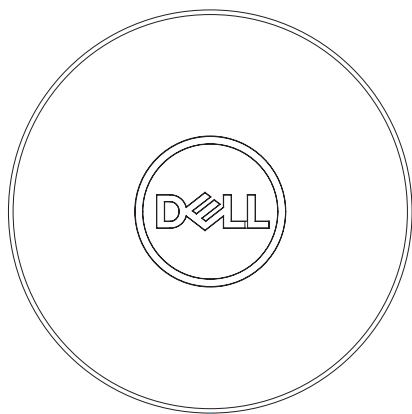
2022-02

Rev. A00

Contents

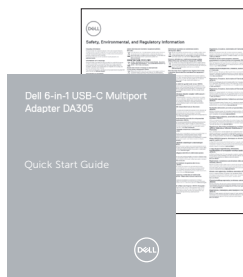
What's in the box.....	4
Features.....	5
Front view.....	5
Back view.....	5
Using your DA305 multiport adapter.....	6
Troubleshooting.....	11
Specifications.....	13
Statutory information.....	14
Warranty.....	14
Getting Help.....	15
Contacting Dell.....	15

What's in the box



1

1 Dell 6-in-1 USB-C Multiport Adapter: DA305

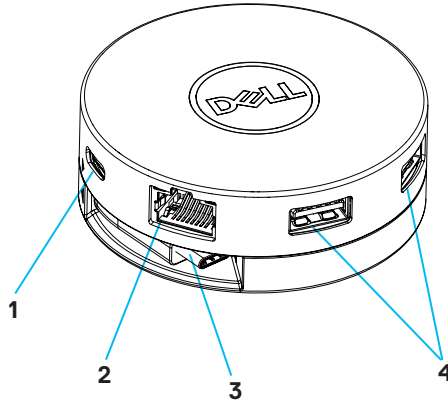


2

2 Documents

Features

Front view



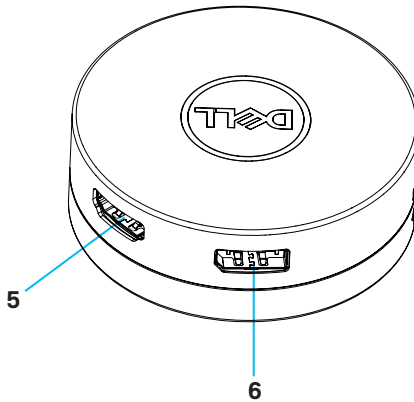
1 USB 3.2 Gen 2 (10 Gbps)
USB-C port

2 Ethernet port

3 USB-C cable

4 USB 3.2 Gen 2 (10 Gbps)
USB-A ports

Back view

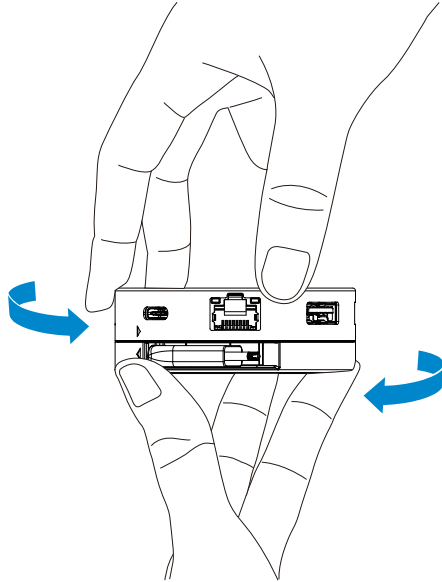


5 HDMI port

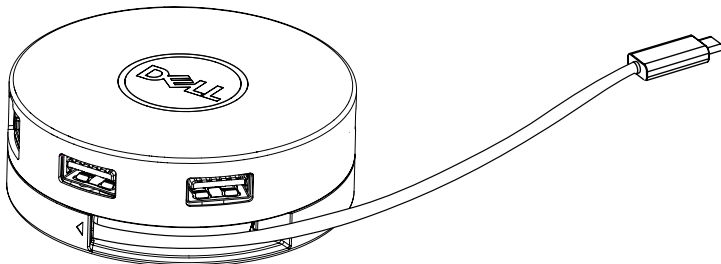
6 DisplayPort

Using your DA305 multiport adapter

1. Using your fingertips, hold the bottom section of the DA305.



2. With the USB-C cable facing you, turn the top section to release the USB-C cable.

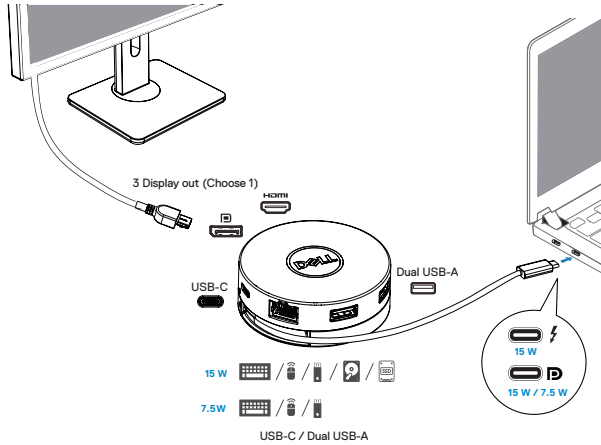


3. Connect the USB-C cable of your DA305 to the Thunderbolt port (15W) or USB-C (DisplayPort Alt Mode, 15W or 7.5W) port on your PC. The image below shows the DA305 connected to several peripherals without an external power source.



NOTE: DA305 can support only one display at any given time.

Without Power Delivery Pass-Through

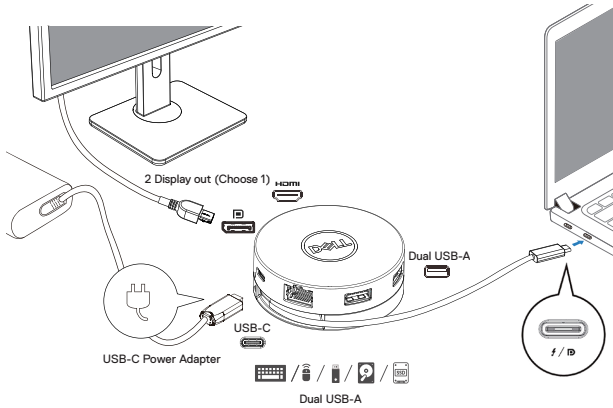


4. The DA305 supports power delivery pass-through up to 90W when connected to the Thunderbolt or USB-C (Display Port Alt Mode) port of your PC. Power can be supplied by the USB-C power adapter or USB-C monitor with power delivery capability that supports charging feature. The following two images show DA305 connected to an external power source via USB-C power adapter or USB-C monitor.

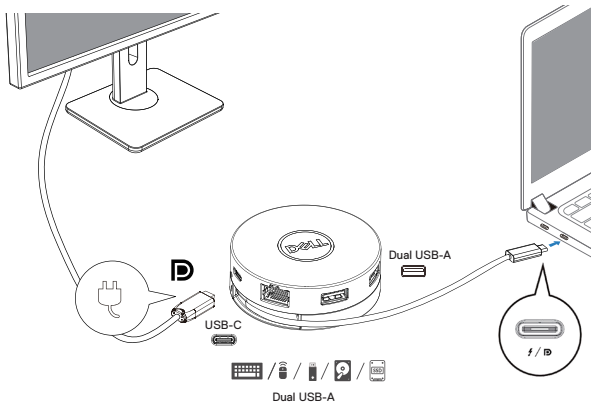


NOTE: DA305 can support only one display at any given time.

With Power Delivery Pass-Through Via USB-C Power Adapter



With Power Delivery Pass-Through Via USB-C Monitor



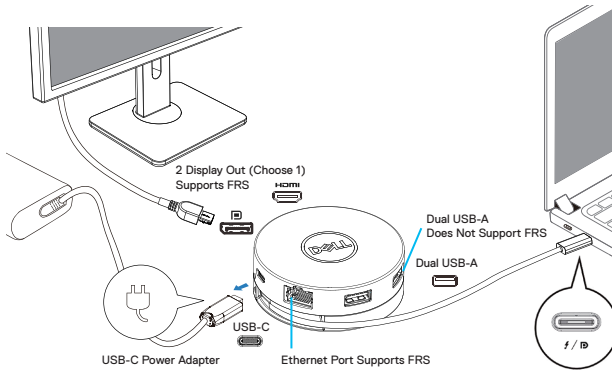
5. The DA305 display ports and ethernet port support power FRS (Fast Role Swap).
- (a) If DA305 is connected to a PC and a USB-C power adapter, and the user chooses to disconnect the USB-C power adapter from the DA305, it will switch the power source from the USB-C power adapter to the PC instantly without affecting the functionality of the display ports and ethernet port.
 - (b) If DA305 is connected to a PC and a USB-C monitor with power delivery, and the user chooses to disconnect the USB-C monitor from the DA305, it will switch the power source from the USB-C monitor to the PC instantly without affecting the functionality of ethernet port.

 **NOTE:** Display and ethernet ports on the DA305 support FRS (Fast role swap). The USB ports do not support FRS.

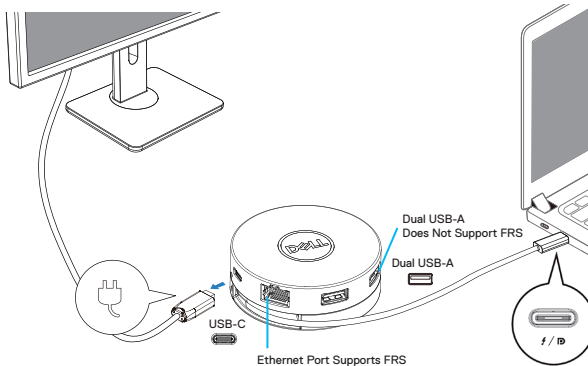
 **NOTE:** FRS is functional on the DA305 only if the PC connected to it supports FRS.

 **NOTE:** USB-C plug must connect the PC with UL, IEC certification.

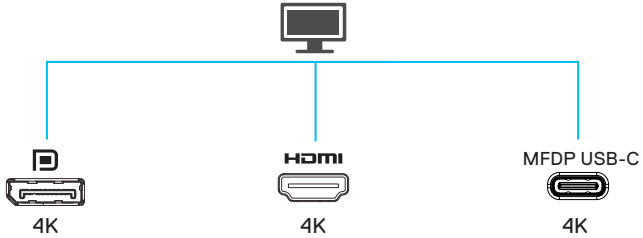
With Power Delivery Pass-Through Via USB-C Power Adapter



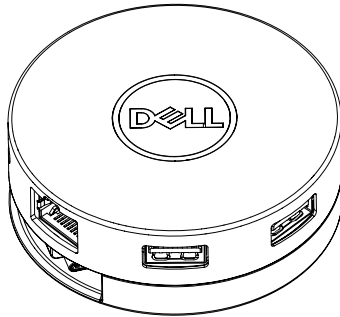
With Power Delivery Pass-Through Via USB-C Monitor



6. The DA305 display



NOTE: The DA305 supports only one display at a time



USB-C



10 Gbps

Dual USB-A



10 Gbps



Video port

Connect an external display or a projector.



Ethernet port

Connect an Ethernet (RJ45) cable from a router or a broadband modem for network or internet access.




USB-C and USB-A ports

Connect peripherals such as keyboards, mice and external storage devices.

Troubleshooting

Problem	Possible solutions
The DA305 does not work with the USB-A port on the PC	The DA305 is only compatible with the USB-C port on the PC, i.e. Thunderbolt port or USB-C (DisplayPort Alt Mode) port.
Multiple displays are not working	The DA305 supports only single display out. You can only connect one display to the HDMI port, DisplayPort, or USB-C port at a time.
Unable to read and write to an external SSD/HDD and optical (CD/DVD/Blu-ray) drive when connected to the DA305	<ul style="list-style-type: none"> • Some external SSD/HDD/ODD devices require higher power than what the DA305 can supply. • When DA305 connects to 7.5W USB-C port of your PC and without power delivery pass-through charging, it is recommended that you connect external SSD/HDD/ODD to the PC directly. • When DA305 connects to 15W Thunderbolt or USB-C port of your PC and without power delivery pass-through charging, it is recommended that you connect only 1 external SSD/HDD/ODD drive to DA305. Additional devices can be connected to the PC directly. • When DA305 connects to your PC with power delivery charging pass-through (USB-C power adapter or USB-C monitor with power delivery capability), it is recommended that you connect only one external SSD/HDD/ODD to DA305. Additional devices can be connected to the PC directly.
Power Surge message pops up when connecting a peripheral to the DA305	<ul style="list-style-type: none"> • The peripheral connected to the DA305 needs more power. • Disconnect other peripherals connected to the DA305. • For peripherals that require higher power, it is recommended to connect the peripheral to the PC directly.
MAC address pass-through, Wake-On-LAN and PXE boot not working on DA305	The DA305 does not support MAC address pass-through, Wake-On-LAN and PXE boot.
Resolution on monitor is lower than 4K 60Hz when connected to the HDMI, DP port of DA305	<ul style="list-style-type: none"> • Check and ensure the monitor is capable to support 4K 60Hz • 4K resolution at 60 Hz is supported on PCs that supports DisplayPort 1.3 or above (HBR3) with a monitor that is capable of 4K resolution at 60 Hz. On PCs that support below DisplayPort 1.3, the maximum resolution supported is 4K at 30 Hz
PXE boot in UEFI/Legacy mode is not working	DA305 does not support PXE boot.

Troubleshooting

Problem	Possible solutions												
Video / Audio performance issues	<ul style="list-style-type: none"> • Check and update PC BIOS, graphic driver and audio driver for the latest version. • Check and update PC Thunderbolt firmware and driver to the latest version. 												
No video on the monitor connected to the DA305	<ul style="list-style-type: none"> • Check the video cables and ensure they are connected correctly. • Disconnect the peripheral from the DA305, wait for 10 seconds, then connect the peripheral. 												
Video on the attached monitor is distorted or pixelated	<ul style="list-style-type: none"> • Check the video cables and ensure they are connected correctly. • Check and update the video resolution under Control Panel > All Control Panel Items > Display > Screen Resolution. 												
Video on the attached monitor is not displayed in extended mode	Change the setting under Control Panel > All Control Panel Items > Display > Screen Resolution. Switch modes by pressing the Windows Key  + P.												
The DA305 is not charging your PC or is charging your PC slowly. You may also see a yellow triangle with an exclamation mark on the battery status icon.	<ul style="list-style-type: none"> • The DA305 supports max 90W power delivery pass-through. • The DA305 reserves 15W, so your system gets 15W less power from the power source. You may observe a slow charging message/icon because of this. • It is recommended to connect the power adapter to the PC directly. Alternatively, you may choose to connect a higher power rated USB-C power adapter to DA305. <table border="1" data-bbox="412 879 972 1093"> <thead> <tr> <th>DA305 with USB-C power connected</th> <th>Power delivery to PC (Pass-through via DA305)</th> </tr> </thead> <tbody> <tr> <td>130 Watts</td> <td>90 Watts</td> </tr> <tr> <td>90 Watts</td> <td>75 Watts</td> </tr> <tr> <td>65 Watts</td> <td>50 Watts</td> </tr> <tr> <td>45 Watts</td> <td>30 Watts</td> </tr> <tr> <td>< 45 Watts</td> <td>No power charging</td> </tr> </tbody> </table> <p>Your PC may charge slower or not charge depending on the power requirement or load of your PC.</p>	DA305 with USB-C power connected	Power delivery to PC (Pass-through via DA305)	130 Watts	90 Watts	90 Watts	75 Watts	65 Watts	50 Watts	45 Watts	30 Watts	< 45 Watts	No power charging
DA305 with USB-C power connected	Power delivery to PC (Pass-through via DA305)												
130 Watts	90 Watts												
90 Watts	75 Watts												
65 Watts	50 Watts												
45 Watts	30 Watts												
< 45 Watts	No power charging												
Update your system's BIOS and DA305 firmware	<ul style="list-style-type: none"> • Please update your system's BIOS, graphics and drivers from: https://www.dell.com/support/drivers • Please update you DA305 FW from: https://www.dell.com/support/drivers Need to connect the DA305 to your PC before update FW. 												
Dell Display Manager (DDM) is not working	Check/Update system BIOS / Graphic driver and install Dell Display Manager (DDM) Monitor application. https://www.dell.com/support/home/drivers/driversdetails/?driverid=6WGWY												

Specifications

Upstream input

USB-C

Downstream data ports

- Two USB 3.2 Gen 2 (10Gbps) USB-A ports
- One USB 3.2 Gen 2 (10Gbps) USB-C port
- One Gigabit Ethernet RJ45 port

Downstream video out ports and resolutions supported

- Single video out from one of the three ports:
- One DisplayPort 1.4 port (3840 x 2160 max)/60 Hz
 - One HDMI 2.0 port (3840 x 2160 max)/60 Hz
 - One MFDP* USB-C port (3840 x 2160 max)/30 Hz
- *Multi-function DisplayPort (MFDP) : Integrated DisplayPort video, power delivery and USB 3.2 Gen 2 data connectivity via one USB-C port.*



NOTE: 4K resolution at 60 Hz is supported on PCs that have DisplayPort 1.3 or above with a display that is capable of 4K resolution at 60 Hz. On PCs that support below DisplayPort 1.3, the maximum resolution supported is 4K at 30 Hz.



NOTE: The difference between DA305z & DA305u is only the manufacturer. Manufacturer for DA305z: BizLink (Kunshan) Co., Ltd. Manufacturer for DA305u: Luxshare Precision Industry Co., Ltd.



NOTE: The DA305 is backward compatible with USB 3.1/USB 3.0 Gen 1 & Gen 2, and USB2.0/USB 1.1 devices.



NOTE: DA305 downstream USB ports power

DA305 power source	PC (Without Power Delivery pass-through)		USB-C power adapter or USB-C monitor (With Power Delivery)
	7.5W PC	15W PC	
DA305 downstream USB ports total power (USB gang mode)	3 Watts	9 Watts	9 Watts
DA305 downstream USB ports connection recommendation	Keyboards/Mice/USB flash drive only	Keyboards/Mice/USB flash drive + one external HDD/SSD/ODD	Keyboards/Mice/USB flash drive + one external HDD/SSD/ODD

Recommended system requirements Supported operating system

- Windows 10/11 64 bits
- Mac OS 10.11.6 and above
- Chrome OS 70.0.3538 and above
- Ubuntu 15.10 and above
- RHEL 8 and above

Operating temperature

Product working at maximum ambient temperature of 35°C.

Statutory information

Warranty

Limited warranty and return policies

Dell-branded products carry a 3-year limited hardware warranty. If purchased together with a Dell system, it will follow the system warranty.

For U.S. customers:

This purchase and your use of this product are subject to Dell's end user agreement, which you can find at www.dell.com/terms This document contains a binding arbitration clause.

For European, Middle Eastern and African customers:

Dell-branded products that are sold and used are subject to applicable national consumer legal rights, the terms of any retailer sale agreement that you have entered into (which will apply between you and the retailer) and Dell's end user contract terms.

Dell may also provide an additional hardware warranty—full details of the Dell end user contract and warranty terms can be found by going to www.dell.com, selecting your country from the list at the bottom of the “home” page and then clicking the “terms and conditions” link for the end user terms or the “support” link for the warranty terms.

For non-U.S. customers:

Dell-branded products that are sold and used are subject to applicable national consumer legal rights, the terms of any retailer sale agreement that you have entered into (which will apply between you and the retailer) and Dell's warranty terms. Dell may also provide an additional hardware warranty —full details of Dell's warranty terms can be found by going to www.dell.com, selecting your country from the list at the bottom of the “home” page and then clicking the “terms and conditions” link or the “support” link for the warranty terms.

Getting Help

Contacting Dell



NOTE: If you do not have an active Internet connection, you can find contact information on your purchase invoice, packing slip, bill, or Dell product catalog.

Dell provides several online and telephone-based support and service options. Availability varies by country and product, and some services may not be available in your area. To contact Dell for sales, technical support, or customer service issues:

Steps

1. Go to www.dell.com/support.
2. Select your support category.
3. Verify your country or region in the Choose a Country/Region drop-down list at the bottom of the page.
4. Select the appropriate service or support link based on your need.