



by Schneider Electric

Installation Guide Smart-UPS™ 1200/1500 VA 100/120/230 Vac Rack-Mount 1U

Important Safety Messages

Read the instructions carefully to become familiar with the equipment before trying to install, operate, service or maintain it. The following special messages may appear throughout this manual or on the equipment to warn of potential hazards or to call attention to information that clarifies or simplifies a procedure.



The addition of this symbol to a Caution product safety label indicates that a hazard exists that can result in injury and product damage if the instructions are not followed.

The following safety messages may appear throughout this manual to warn of potential hazards.

CAUTION

CAUTION indicates a potentially hazardous situation which, if not avoided, **can result in** equipment damage and minor or moderate injury.

CAUTION

CAUTION indicates a potentially hazardous situation which, if not avoided, **can result in** equipment damage.

Safety and General Information

Inspect the package contents upon receipt. Notify the carrier and dealer if there is any damage.

Read the Safety Guide supplied with this unit before installing the UPS.

- Adhere to all national and local electrical codes.
- This UPS is intended for indoor use only.
- Do not operate this UPS in direct sunlight, in contact with fluids, or where there is excessive dust or humidity.
- Be sure the air vents on the UPS are not blocked. Allow adequate space for proper ventilation.
- The battery typically lasts for three to five years. Environmental factors impact battery life. Elevated ambient temperatures, poor quality utility power, and frequent short duration discharges will shorten battery life.
- Connect the UPS power cable directly to a wall outlet. Do not use surge protectors or extension cords.
- The batteries are heavy. Remove the batteries prior to installing the UPS in a rack.

Inventory

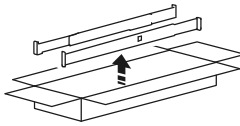
All models



Documentation
CD



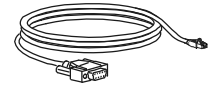
Bezel



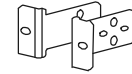
1U Rail Kit
with rails, cleats, screws



Rack-Mount brackets
100 Vac models

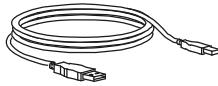


Serial cable



Rack-Mount brackets
120/230 Vac models

120 Vac/230 Vac models



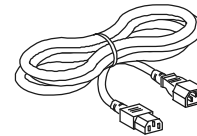
USB cable

120 Vac/230 Vac models



Software CD

230 Vac models



2 Power cords

Installation

⚠ CAUTION

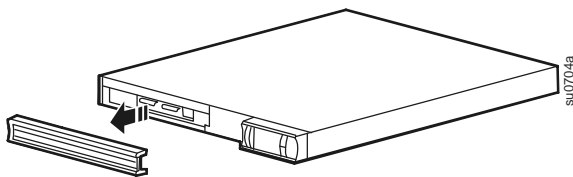
DAMAGE TO EQUIPMENT OR PERSONNEL

- The equipment is heavy. Always practice safe lifting techniques adequate for the weight of the equipment.
- The combined weight of the UPS and the battery pack is 24 kg (53 lb).
The battery pack weighs 10.5 kg (23 lb). Remove the battery pack before installing the UPS in a rack.

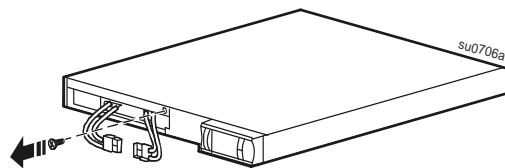
Failure to follow these instructions can result in equipment damage and minor or moderate injury

Remove the battery

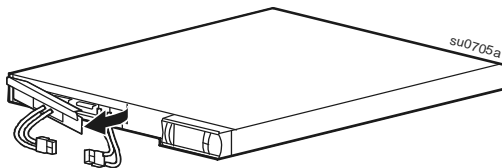
- 1 Remove the bezel.



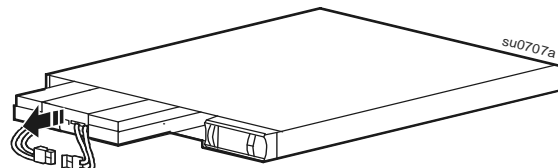
- 2 Remove the screw that secures the battery compartment door.



- 3 Open the battery compartment door.



- 4 Slide the battery out of the UPS. Do not pull on the battery cable to remove the battery from the UPS.



Rack installation

CAUTION

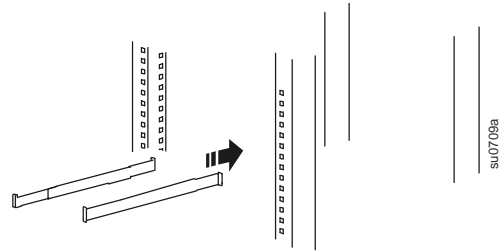
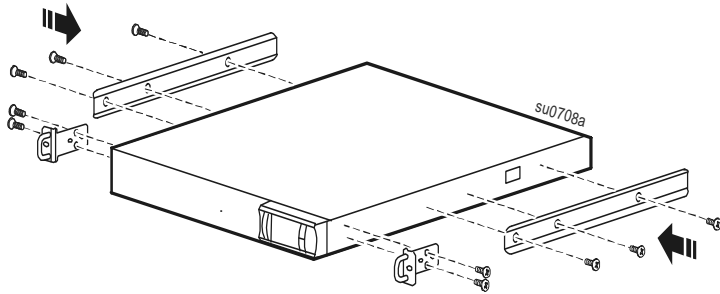
DAMAGE TO EQUIPMENT OR PERSONNEL

- When installing equipment in a rack, always install load devices at the bottom of the rack.
- The UPS should always be installed above the peripheral devices in rack or stack configurations.

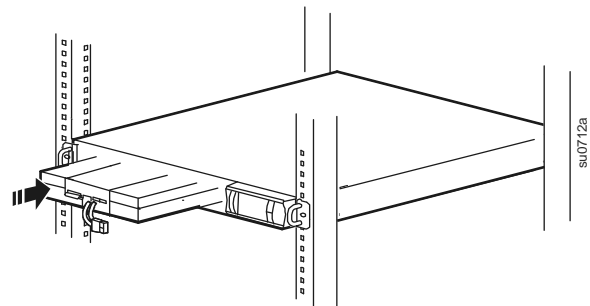
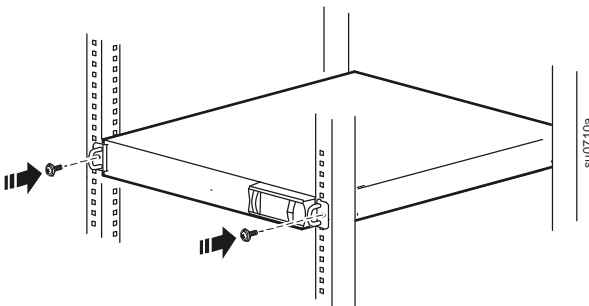
Failure to follow these instructions can result in equipment damage and minor or moderate injury

Note: The installation process is identical for both types of rack-mount brackets.

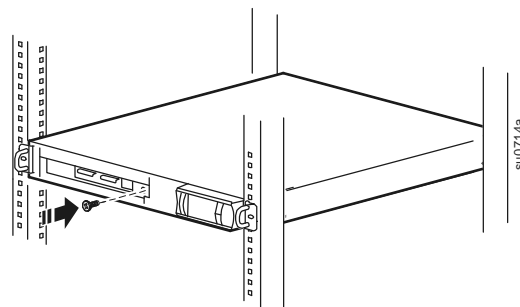
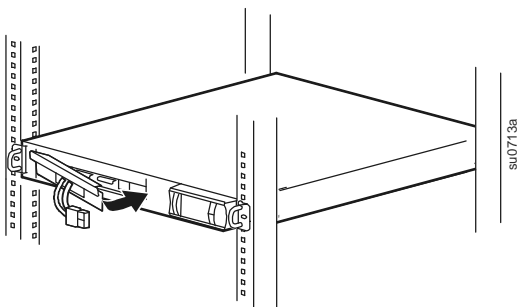
- 1** Secure the rail cleats and brackets to the UPS. Use two screws for each rack-mount bracket and three screws for each rail cleat.
- 2** Install the 1U Rail Kit included with the UPS. Refer to the installation instructions provided with the rail kit.



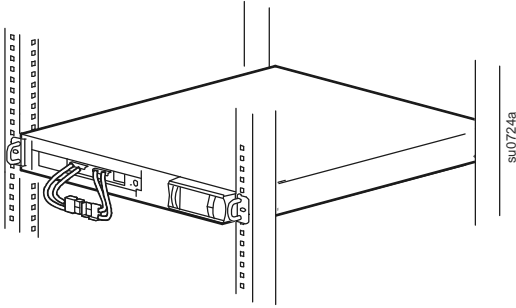
- 3** Slide the UPS into the rack. Secure the brackets to the rack using the screws provided.
- 4** Slide the battery into the UPS.



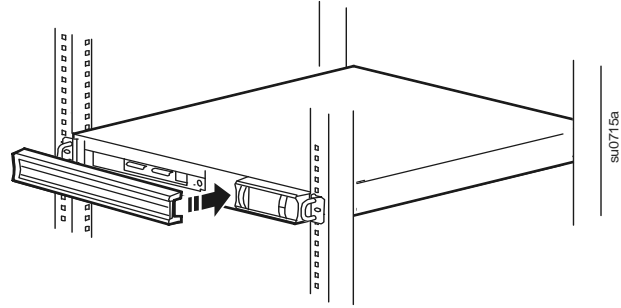
- 5** Install the battery compartment door.
- 6** Secure the door with the screw previously removed.



7 Secure the two battery connectors as shown in the diagram below.



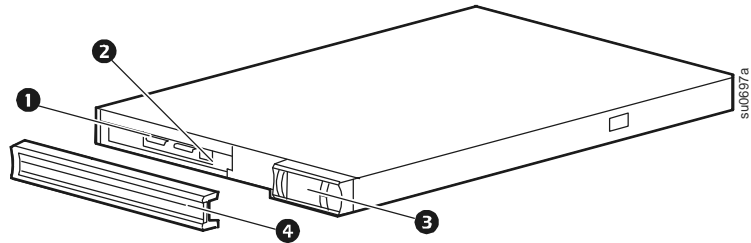
8 Install the bezel on the front of the UPS.



Overview and Start Up

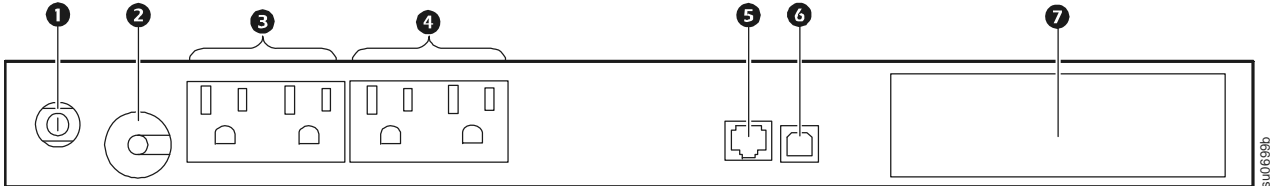
Front panel

- 1** Battery
- 2** Battery connector
- 3** Display interface
- 4** Bezel

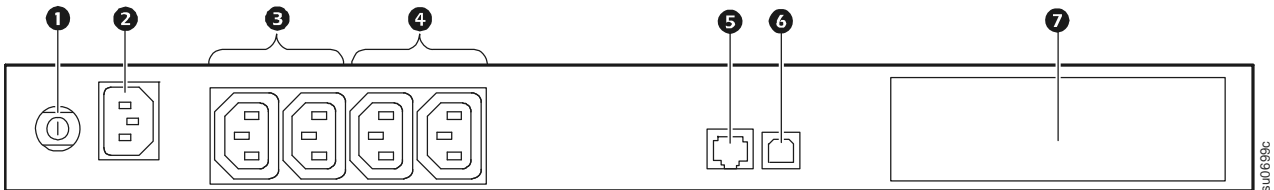


Rear panels

1200/1500 VA 100/120 Vac



1500 VA 230 Vac



- 1** Circuit breaker/Overload protection
- 2** UPS input
- 3** Controlled outlet group 1
- 4** Controlled outlet group 2
- 5** RJ45 connector - serial UPS monitoring port
- 6** USB port
- 7** SmartSlot for optional accessory card

Electrical connections

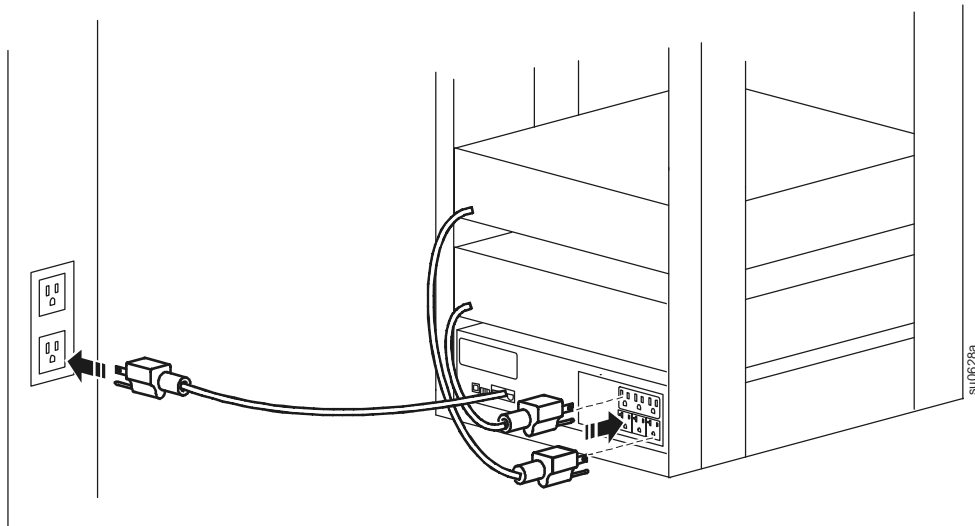
CAUTION

RISK OF EQUIPMENT DAMAGE

- Adhere to all local and national electrical codes.
- Wiring should be performed by qualified electrician.
- Always connect the UPS to a grounded outlet.

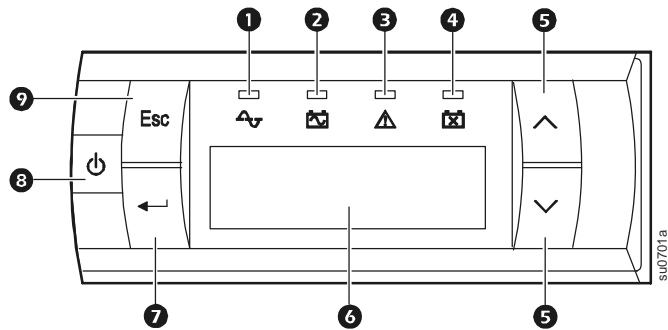
Failure to follow these instructions can result in equipment damage

Outlet type and location may vary.



Display Interface

- 1 Online LED
- 2 On Battery LED
- 3 Fault LED
- 4 Replace Battery LED
- 5 UP/DOWN arrow buttons
- 6 Display screen
- 7 ENTER button
- 8 UPS Output ON/OFF button
- 9 ESCAPE button





Select models are ENERGY STAR[®] qualified.

For more information go to www.apc.com/site/recycle/index.cfm/energy-efficiency/energy-star/