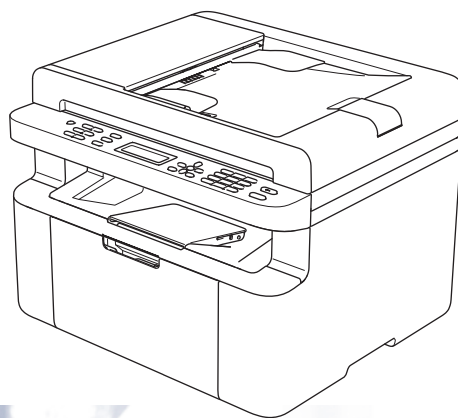


User's Guide

DCP-1510
DCP-1511
MFC-1810
MFC-1811
MFC-1815



Not all models are available in all countries.

Brother numbers

IMPORTANT

For technical and operational help, you must call the country where you bought the machine. Calls must be made **from within** that country.

Register your product

Please complete the Brother Warranty Registration or, for your convenience and most efficient way to register your new product, register on-line at

<http://www.brother.com/registration/>

Frequently asked questions (FAQs)

The Brother Solutions Center is our one-stop resource for all your machine needs. You can download the latest drivers, software and utilities, read FAQs and troubleshooting tips to learn how to get the most from your Brother product.

<http://solutions.brother.com/>

You can check here for Brother driver updates.

Customer Service

Visit <http://www.brother.com/> for contact information on your local Brother office.

Internet Addresses

Brother Global website: <http://www.brother.com/>

For Frequently Asked Questions (FAQs), Product Support and Technical Questions, and Driver Updates and Utilities: <http://solutions.brother.com/>

©2013 Brother Industries, Ltd. All rights reserved.

User's Guides and where do I find them?

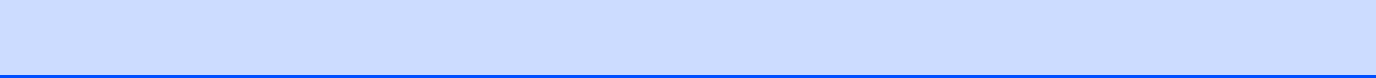
Which Guide?	What's in it?	Where is it?
Product Safety Guide	Read this Guide first. Please read the Safety Instructions before you set up your machine. See this Guide for trademarks and legal limitations.	Printed / In the Box
Quick Setup Guide	Follow the instructions for setting up your machine and installing the drivers and software for the operating system and connection type you are using.	Printed / In the Box
User's Guide	Learn the Fax (MFC-1810, MFC-1811 and MFC-1815 only), Scan and Copy operations. See troubleshooting tips and machine specifications.	Printed / In the Box
Software User's Guide	Follow these instructions for Printing, Scanning, Remote Setup (MFC-1810, MFC-1811 and MFC-1815 only), PC-Fax (MFC-1810, MFC-1811 and MFC-1815 only), and using the Brother ControlCenter utility.	(Windows® only) PDF file / installer CD-ROM / In the box

Table of Contents

1	General information	1
	Using the documentation.....	1
	Symbols and conventions used in the documentation	1
	Accessing Brother Utilities (Windows® 8).....	2
	Accessing the Software User's Guide	2
	Viewing Documentation.....	2
	Control panel overview	4
	Menu and features for MFC models	7
	On-screen programming.....	7
	Menu table.....	8
	0.Initial Setup.....	9
	1.General Setup	11
	2.Fax.....	13
	3.Copy	18
	4.Printer	20
	5.Print Reports.....	20
	6.Machine Info	21
	Menu and features for DCP models	22
	On-screen programming.....	22
	Menu table.....	23
	1.General Setup	23
	2.Copy	25
	3.Printer	26
	4.Machine Info	26
	Entering text (MFC-1810, MFC-1811 and MFC-1815)	28
	Ecology features	29
	Deep Sleep mode.....	29
	Auto Power Off (DCP-1510 and DCP-1511 only).....	29
	Toner Settings	29
	Toner Setting (Continue mode)	29
	Receiving faxes in Continue Mode (MFC-1810, MFC-1811 and MFC-1815 only).....	30
2	Paper Setting	31
	Paper settings.....	31
	Paper Type	31
	Paper Size.....	31
	Acceptable paper.....	32
	Paper capacity of the paper tray.....	32
3	Loading documents	33
	How to load documents	33
	Using the automatic document feeder (ADF) (MFC-1810, MFC-1811 and MFC-1815)	33
	Using the scanner glass	33

4	Sending a fax (MFC-1810, MFC-1811 and MFC-1815)	35
	How to send a fax	35
	Cancelling a fax in progress	35
	Broadcasting.....	36
5	Receiving a fax (MFC-1810, MFC-1811 and MFC-1815)	37
	Receive modes	37
	Choosing the receive mode	37
	Receive Mode settings	38
	Ring Delay	38
	F/T Ring Time (Fax/Tel mode only).....	38
	Fax Detect	38
6	Dialling and storing numbers (MFC-1810, MFC-1811 and MFC-1815)	39
	Storing numbers	39
	Storing Speed Dial numbers.....	39
	Changing or Deleting Speed Dial numbers	39
	How to dial	40
	Manual dialling.....	40
	Speed dialling	40
	Search	40
	Redial	40
	Caller ID (MFC-1810 and MFC-1815 only).....	40
7	Using PC-FAX (MFC-1810, MFC-1811 and MFC-1815)	42
	PC-FAX Receive (For Windows® only)	42
	PC-FAX sending	44
	Sending a file as a PC-FAX.....	44
8	Telephone and external devices (MFC-1810, MFC-1811 and MFC-1815)	46
	Voice operations (MFC-1815 only)	46
	Making a telephone call	46
	Hold	46
	Connecting an external TAD (MFC-1810 and MFC-1811 only).....	46
	Connections.....	47
	Recording an outgoing message (OGM).....	47
	Multi-line connections (PABX)	47
	External and extension telephones.....	48
	Connecting an external or extension telephone	48
	For Fax/Tel mode only.....	48
	Using a non-Brother cordless external handset	48

9	Making copies	49
	How to copy	49
	ID COPY	50
	Double-sided ID copy	50
	One-sided ID copy	51
	Other copies	52
10	How to scan to a computer	54
	Scanning a document as a PDF file using ControlCenter4	54
	Scanning using the SCAN key.....	57
	SCAN key settings.....	57
A	Troubleshooting and other information	59
	Consumable items	59
	Identifying your problem	61
	Error and maintenance messages.....	62
	If you are having difficulty with your machine	64
	Telephone and Fax problems (MFC-1810, MFC-1811 and MFC-1815)	64
	Improving the print quality.....	66
	Document Jams (MFC-1810, MFC-1811 and MFC-1815)	71
	Paper Jams.....	72
	Transferring your faxes or Fax Journal report (MFC-1810, MFC-1811 and MFC-1815)	74
	Transferring faxes to another fax machine	74
	Transferring faxes to your PC.....	74
	Transferring the Fax Journal report to another fax machine	75
	Cleaning and Checking the machine	75
B	Specifications	76
	General	76
	Document Size	78
	Print media.....	79
	Fax.....	80
	Copy	81
	Scanner	82
	Printer	83
C	Index	84



Using the documentation

Thank you for buying a Brother machine! Reading the documentation will help you make the most of your machine.

Symbols and conventions used in the documentation

The following symbols and conventions are used throughout the documentation.

WARNING


WARNING indicates a potentially hazardous situation which, if not avoided, could result in death or serious injuries.

IMPORTANT


IMPORTANT indicates a potentially hazardous situation which, if not avoided, may result in damage to property or loss of product functionality.


NOTE

Notes tell you how you should respond to a situation that may arise or give tips about how the current operation works with other features.

 Prohibition icons indicate actions that must not be performed.

 Electrical Hazard icons alert you to a possible electrical shock.

 Hot Surface icons warn you not to touch machine parts that are hot.

 Fire hazard icons alert you to the possibility of fire.

Bold Bold style identifies keys on the machine's control panel or on the computer screen.

Italics Italicized style emphasizes an important point or refers you to a related topic.

`Courier New` Courier New font identifies the messages shown on the LCD of the machine.

Follow all warnings and instructions marked on the product.

NOTE

Most of the illustrations in this User's Guide show the MFC-1810.

Accessing Brother Utilities (Windows® 8)

If you are using a tablet running Windows® 8, you can make your selections either by tapping the screen or by clicking with your mouse.

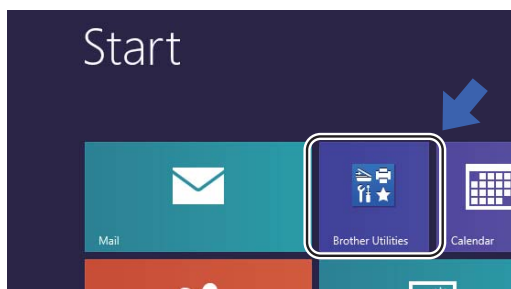
After the printer driver is installed, the



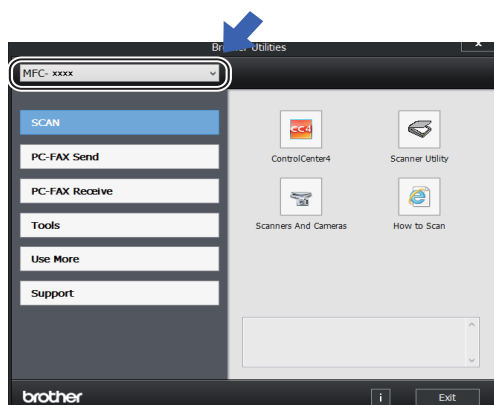
(Brother Utilities) appears on both

the Start screen and the desktop.

- 1 Tap or click **Brother Utilities** either on the Start screen or the desktop.



- 2 Select your machine.



- 3 Choose the function you want to use.

Accessing the Software User's Guide

This User's Guide does not contain all the information about the machine such as how to use the advanced features for Printer, Scanner and PC-Fax¹. When you are ready to learn detailed information about these operations, read the Software User's Guide that is on the installer CD-ROM for Windows® users.


Macintosh users can read the Software User's Guide by downloading it from the Brother Solutions Center (<http://solutions.brother.com/>).

¹ MFC-1810, MFC-1811 and MFC-1815


Viewing Documentation

Viewing Documentation (Windows®)

(Windows® 7/Windows Vista®/Windows® XP)

To view the documentation, from the  (Start) menu, select **All Programs, Brother, MFC-XXXX** or **DCP-XXXX** (where XXXX is your model name) from the programs list, and then choose **User's Guides**.

(Windows® 8)


Click  (**Brother Utilities**), and then click the drop-down list and select your model name (if not already selected). Click **Support** in the left navigation bar, and then click **User's Guides**.

If you have not installed the software, you can find the documentation on the installer CD-ROM by following the instructions below:

- 1 Turn on your computer. Insert the installer CD-ROM into your CD-ROM drive.

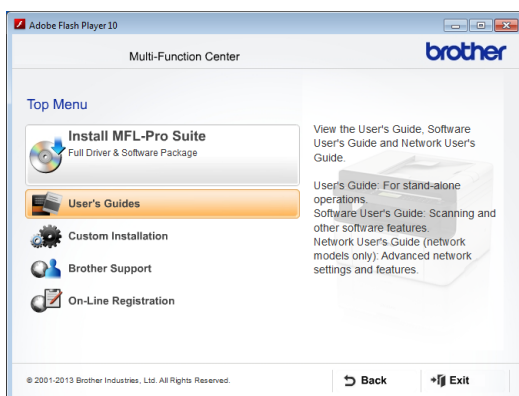
NOTE

If the Brother screen does not appear, go to **Computer (My Computer)**.

(For Windows[®] 8: Click the  (**File Explorer**) icon on the taskbar, and then go to **Computer**.)

Double-click the CD-ROM icon, and then double-click **start.exe**.

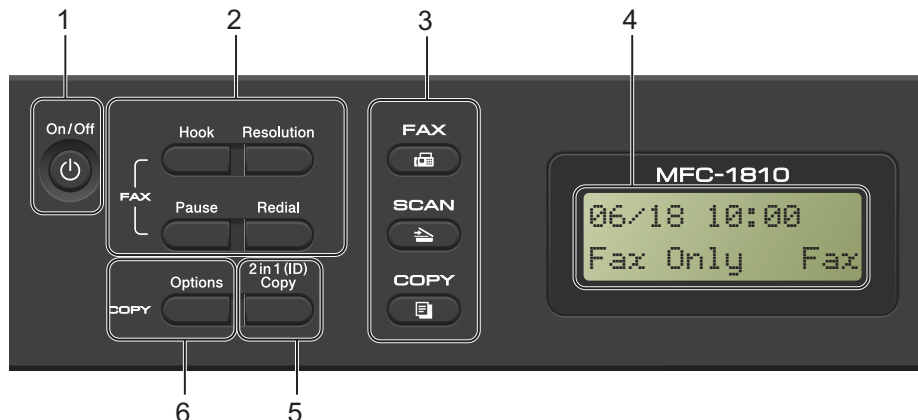
- 2 If the model name screen appears, click your model name.
- 3 If the language screen appears, click your language. The CD-ROM Top Menu will appear.





- 4 Click **User's Guides**.
- 5 Click **PDF/HTML documents**. If the country screen appears, choose your country, and then click the document you want to read.

Control panel overview

The illustrations of the control panel in this User's Guide show the MFC-1810.



1 On/Off

Press  to turn the machine on. Press and hold down  to turn the machine off.

2 Hook (MFC-1810 and MFC-1811 only) or Hook/Hold (MFC-1815 only)

Press before dialling if you want to make sure a fax machine will answer, and then press **Start**.

(MFC-1815 only)

Lets you place telephone calls on hold.

Redial

You can redial the last 20 numbers called.

Pause

Inserts a 3.5 second pause when programming speed dial numbers or when dialling a number manually.

Resolution

Sets the resolution when sending a fax.

3 Mode keys:

FAX

Puts the machine in FAX mode. Fax mode is the default mode.

SCAN

Puts the machine in SCAN mode.

COPY

Puts the machine in COPY mode.

4 LCD

Displays messages to help you set up and use your machine.

5 2 in 1 (ID) Copy

You can copy your Identification card both sides onto one page with the original size.

6 Options

You can quickly and easily choose temporary settings for copying.



7 Menu keys:

Clear

Deletes entered data or lets you cancel the current setting.

Menu

Lets you access the Menu to program your settings in the machine.

OK

Lets you store your settings and confirm LCD messages on the machine.

Volume keys:

◀ or ▶

Press to scroll backwards or forwards through menu selections. Press to change the volume when in fax or standby mode.

▲ or ▼

Press to scroll through the menus and options.

Address Book

Lets you access speed dial numbers directly.

8 Dial pad

Use these keys to dial telephone and fax numbers and as a keyboard for entering information into the machine.

(MFC-1815 only)

The # key temporarily switches the dialling mode from Pulse to Tone during a telephone call (not available in New Zealand).

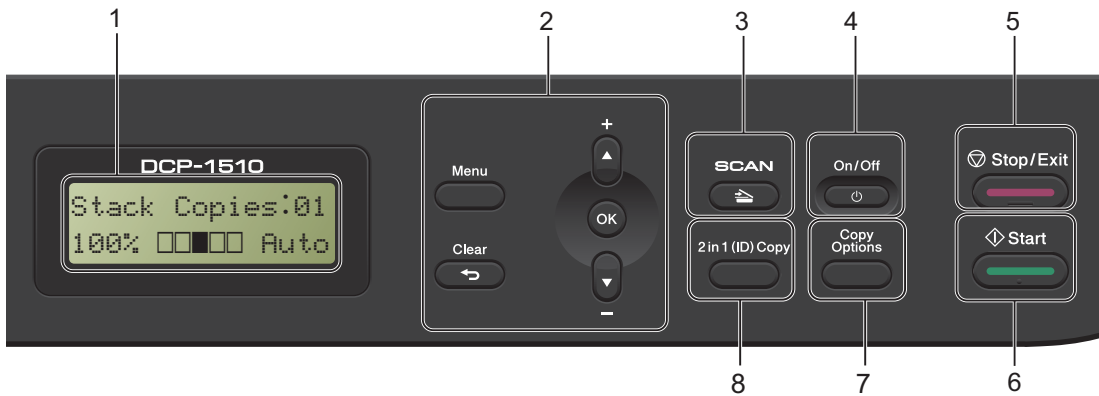
9 Stop/Exit

Stops an operation or exits from a menu. Press this key to cancel the print job.

10 Start

Lets you start sending faxes, scanning or making copies.

DCP-1510 and DCP-1511

**1 LCD**

Displays messages to help you set up and use your machine.

2 Menu keys:**Menu**

Lets you access the Menu to program your settings in the machine.

Clear

Deletes entered data or lets you cancel the current setting.

OK

Lets you store your settings and confirm LCD messages on the machine.



▼ or ▲

Press to scroll through the menus and options.

3 SCAN

Puts the machine in SCAN mode.

4 On/Off

Press  to turn the machine on. Press and hold down  to turn the machine off.

5 Stop/Exit

Stops an operation or exits from a menu. Press this key to cancel the print job.

6 Start

Lets you start making copies or scanning.

7 Copy Options

You can quickly and easily choose temporary settings for copying.

8 2 in 1 (ID) Copy

You can copy your Identification card both sides onto one page with the original size.

Menu and features for MFC models

On-screen programming

Your machine has been designed to be easy to use. The LCD provides on-screen programming using the menu keys.

How to access the menu mode

- 1 Press **Menu**.
- 2 Choose an option.
 - Press **0** for `Initial Setup` menu.
 - Press **1** for `General Setup` menu.
 - Press **2** for `Fax` menu.
 - Press **3** for `Copy` menu.
 - Press **4** for `Printer` menu.
 - Press **5** for `Print Reports` menu.
 - Press **6** for `Machine Info.` menu.
 - Press **9** for `Service` menu.¹

¹ This will appear only when the LCD shows an error message.

You can also scroll through each menu level by pressing **▲** or **▼** for the direction you want.

- 3 Press **OK** when the option you want appears on the LCD. The LCD will then show the next menu level.
- 4 Press **▲** or **▼** to scroll to your next menu selection.
- 5 Press **OK**. When you have finished setting an option, the LCD will show `Accepted`.
- 6 Press **Stop/Exit** to exit Menu mode.

Menu table

Using the menu table, you can change the settings in your machine by pressing the number keys or ▲ and ▼ and **OK**.

Press **Menu**, and then according to what is shown on the LCD, press the number keys or ▲ and ▼ to highlight different menu options. Press **OK** to select an option.

In the below example, the ring volume setting is changed from **Med** to **Low**.

① General Setup

Level 2	Level 3	Descriptions 1	Options
③ Volume	① Ring	Adjust the ring volume.	Low Med* High Off

- ① Press **Menu**.
- ② Press **1** to choose **General Setup**.
- ③ Press **3** to choose **Volume**.
- ④ Press **1** to choose **Ring**.
- ⑤ Press ▲ or ▼ to display **Low**.
- ⑥ Press **OK**.
- ⑦ Press **Stop/Exit**.

0.Initial Setup

0.Initial Setup

Level 2	Level 3	Descriptions 1	Options	Descriptions 2	Page
1.Receive Mode	—	You can choose the receive mode that best suits your needs.	Fax Only*	Your machine automatically answers every call as a fax. Fax Only is displayed on the LCD when set.	37
			Fax/Tel	Your machine controls the line and automatically answers every call. If the call is not a fax, the phone will ring for you to pick up the call. Fax/Tel is displayed on the LCD when set.	
			External TAD (MFC-1810 and MFC-1811)	Your external telephone answering device (TAD) automatically answers every call. Voice messages are stored on the external TAD. Fax messages are automatically printed. External TAD is displayed on the LCD when set.	
			Manual	You control the phone line and must answer every call yourself. Manual is displayed on the LCD when set.	
2.Date&Time	1.Date&Time	Puts the date and time on the LCD and in headings of faxes you send if you set up the station ID.	Year:	Enter the last two digits of the year. (e.g. Enter 1, 3 for 2013.)	
			Month:	Enter the two digits for the month. (e.g. Enter 0, 1 for January.)	
			Day:	Enter the two digits for the day. (e.g. Enter 0, 1 for 1st.)	
The factory settings are shown in Bold with an asterisk.					

0.Initial Setup (continued)

Level 2	Level 3	Descriptions 1	Options	Descriptions 2	Page
2. Date&Time (Continued)	1. Date&Time (Continued)		Time :	Enter the time in 24-hour format. (e.g. Enter 1, 5, 2, 5 for 15:25.)	
	2. Daylight Save	Set the machine to change for Daylight Saving Time.	On	It will reset the time forward one hour.	
			Off	It will reset the time backward one hour.	
3. Station ID	—	Sets up your name and fax number to appear on each page you fax.	Fax :	Enter your fax number (up to 20 digits).	
			Tel :	Enter your telephone number (up to 20 digits). If your telephone number and fax number are the same, enter the same number again.	
			Name :	Enter your name (up to 20 characters).	28
4. Tone/Pulse (not available in New Zealand)	—	Chooses the dialling mode.	Tone*	Your machine comes set for Tone dialling service.	
			Pulse	If you have Pulse dialling service (rotary), you need to change the dialling mode.	
4. Dial Tone (for New Zealand) 5. Dial Tone	—	You can shorten the dial tone detect pause.	Detection	Your machine will dial as soon as it detects a dial tone.	
			No Detection*	When you send a fax automatically, by default your machine will wait for a fixed amount of time before it starts to dial the number.	
The factory settings are shown in Bold with an asterisk.					

0.Initial Setup (continued)

Level 2	Level 3	Descriptions 1	Options	Descriptions 2	Page
5. Dial Prefix (for New Zealand) 6. Dial Prefix	—	Sets a prefix number that will always be added before the fax number every time you dial.	—	Enter the prefix number (up to 5 digits) on the dial pad, and then press OK . The dial prefix setting will automatically dial a predefined number before every fax number you dial. For example: If your phone system requires a 9 to dial an outside number this setting will automatically dial 9 for every fax you send.	
6. Reset (for New Zealand) 7. Reset	1. Address & Fax	Restores all stored phone numbers and fax settings.	1. Reset		
			2. Exit	Cancel restore and exit the menu.	
	2. All Settings	Restores all the machine settings to factory default.	1. Reset		
			2. Exit	Cancel restore and exit the menu.	
The factory settings are shown in Bold with an asterisk.					

1.General Setup

1.General Setup

Level 2	Level 3	Descriptions 1	Options	Descriptions 2	Page
1. Mode Timer	—	You can set how much time the machine takes after the last Copy or Scan operation to return to Fax mode.	0 Sec	Return to the fax mode at once.	
			30 Secs	Return to the fax mode after the time you choose.	
			1 Min		
			2 Mins*		
			5 Mins	The machine will stay in the mode you used last.	
Off					
The factory settings are shown in Bold with an asterisk.					

1. General Setup (continued)

Level 2	Level 3	Descriptions 1	Options	Descriptions 2	Page
2. Paper	1. Paper Type		Plain* Recycled Paper		31
	2. Paper Size	Sets the size of the paper in the paper tray.	A4* Letter Legal Folio		31
3. Volume	1. Ring	Adjusts the ring volume.	Low Med* High Off		
	2. Beeper	When the beeper is on, the machine will beep when you press a key, make a mistake, or after you send or receive a fax.	Low Med* High Off		
	3. Speaker	Adjusts the speaker volume.	Low Med* High Off		
4. Ecology	1. Toner Save	You can save toner using this feature.	On	Increases the page yield of the toner cartridge. When you set Toner Save to On, print appears lighter.	
			Off*		
5. LCD Contrast	—	Adjusts the contrast of the LCD.	-□□□■+ -□□■□+ -□■□□+* -□■□□+ -■□□□+	Press ► to make the LCD darker. Or press ◀ to make the LCD lighter.	
6. Scan Size	—	Adjusts the scan area to the size of the document.	A4* Letter		

The factory settings are shown in Bold with an asterisk.

1.General Setup (continued)

Level 2	Level 3	Descriptions 1	Options	Descriptions 2	Page
7.Replace Toner	—	Sets the machine to continue or stop printing after the LCD shows Replace Toner .	Continue	The machine will continue printing. Replace the toner cartridge with a new one after the LCD shows Toner Ended .	29
			Stop*	The machine will stop printing. Replace the toner cartridge with a new one.	
The factory settings are shown in Bold with an asterisk.					

2.Fax

2.Fax

Level 2	Level 3	Descriptions 1	Options	Descriptions 2	Page
1.Setup Receive (In FAX mode only)	1.Ring Delay	The Ring Delay setting sets the number of times the machine rings before it answers in Fax Only and Fax/Tel modes.	(00 - 10) 02* (Example for Australia)	If you have external or extension telephones on the same line as the machine, choose the maximum number of rings.	38
	2.F/T Ring Time	Sets the length of the fast double-ring time in Fax/Tel mode.	20 Secs 30 Secs* 40 Secs 70 Secs (For New Zealand) 20 Secs 30 Secs* 40 Secs 55 Secs	If the call is a fax, then your machine will receive it; however, if it is a voice call the machine will sound the F/T ring (a fast double-ring) for the time you have set in the F/T Ring Time setting. If you hear the F/T ring it means that you have a voice caller on the line.	
The factory settings are shown in Bold with an asterisk.					


2.Fax (continued)

Level 2	Level 3	Descriptions 1	Options	Descriptions 2	Page
1.Setup Receive (In FAX mode only) (Continued)	3.Fax Detect	Receives fax messages without pressing Start . When Fax Detect is On , you can receive fax messages without pressing Start .	On*	The machine can receive a fax automatically, even if you answer the call.	38
			Semi (MFC-1815)	The machine will only receive a fax call automatically if you answered it using the machine's handset.	
			Off	If you are at the machine and answer a fax call first by lifting the handset of an external telephone (MFC-1810 and MFC-1811 only) or the machine (MFC-1815 only), press Start .	
	4.Auto Reduction	The machine calculates the reduction ratio by using the page size of the fax and your Paper Size setting (Menu, 1, 2, 2).	On*	If you choose On , the machine automatically reduces each page of an incoming fax to fit on one page of A4, Letter, Legal or Folio size paper.	
			Off		
	5.Memory Receive	Automatically stores any incoming faxes in its memory if it runs out of paper. The machine will carry on receiving the current fax, with the remaining pages being stored in memory, if enough memory is available.	On*	Further incoming faxes will also be stored into memory until the memory is full. When the memory is full the machine will stop automatically answering calls. To print the faxes, put fresh paper in the tray and press Start .	
The factory settings are shown in Bold with an asterisk.					

2.Fax (continued)

Level 2	Level 3	Descriptions 1	Options	Descriptions 2	Page
1.Setup Receive (In FAX mode only) (Continued)	5.Memory Receive (Continued)		Off	Further incoming faxes will not be stored in memory. The machine will then stop automatically answering calls until fresh paper is put in the paper tray. To print the last fax you received, put fresh paper in the tray and press Start .	
	6.Print Density	You can adjust the Print Density setting to make your printed pages darker or lighter.	-□□□□■+ -□□□■□+ -□□■□□+* -□■□□□+ -■□□□□+	Press ► to make darker, press ◀ to make lighter.	
2.Setup Send	1.Contrast	Changes the lightness or darkness of faxes you send.	Auto*	Auto will give the best results. It automatically chooses a suitable contrast for your document.	
			Light	If your document is too light, choose Light.	
			Dark	If your document is too dark, choose Dark.	
	2.Fax Resolution	Sets the default resolution for outgoing faxes. The quality of an outgoing fax can be improved by changing the Fax Resolution.	Standard*	Suitable for most typed documents.	
			Fine	Good for small print and transmits a little slower than Standard resolution.	
			S.Fine	Good for small print or artwork and transmits slower than Fine resolution.	
			Photo	Use when the document has varying shades of grey or is a photograph. This has the slowest transmission time.	
The factory settings are shown in Bold with an asterisk.					

2.Fax (continued)

Level 2	Level 3	Descriptions 1	Options	Descriptions 2	Page
2.Setup Send (Continued)	3.Overseas Mode	If you are having difficulty sending a fax overseas due to a bad connection, then turning on Overseas Mode may help.	On	Turn this feature on if you are having difficulties sending faxes overseas. This feature will stay on for the next fax only.	
			Off*	Keep this setting Off when the network connection is good and you can send an overseas fax successfully.	
3.Anti-Junk Fax (MFC-1810 and MFC-1815 only)	1. Register	If you do not want to receive a fax/call from the specific numbers, you can register the numbers up to 100 to the Anti-Junk Fax list. You need to apply for the Caller ID service at your local telephone company. You can not choose the numbers that is not stored in the Caller ID memory.	—	Choose the number you want to register to the Anti-Junk Fax list by pressing ▲ and ▼ . Press OK and then press 1 .	
	2.Delete		—	Choose the number you want to delete from the Anti-Junk Fax list by pressing ▲ and ▼ . Press OK and then press 1 .	
	3.Print Report		—	You can print a list of registered fax/telephone numbers in the Anti-Junk Fax list.	
3.Address Book (MFC-1811 only) 4.Address Book (MFC-1810 and MFC-1815 only)	1.Speed Dial	Stores up to 99 Speed Dial numbers. Press  (Address Book) twice and enter the two digit Speed Dial number.	—		
The factory settings are shown in Bold with an asterisk.					

2.Fax (continued)

Level 2	Level 3	Descriptions 1	Options	Descriptions 2	Page
4.Report Setting (MFC-1811 only) 5.Report Setting (MFC-1810 and MFC-1815 only)	1.Transmission	You can use the Transmission Verification Report as proof that you sent a fax. This lists the receiving party's name or fax number, the time and date of transmission, duration of transmission, number of pages sent, and whether or not the transmission was successful.	On	Prints a report after every fax you send.	
			On+Image	Prints a report after every fax you send. A portion of the fax's first page appears on the report.	
			Off*	Prints a report if your fax is unsuccessful due to a transmission error.	
			Off+Image	Prints a report if your fax is unsuccessful due to a transmission error. A portion of the fax's first page appears on the report.	
	2.Journal Period	Sets the interval for automatic printing of the Fax Journal. The Fax Journal is a list of information about your last 200 incoming and outgoing faxes.	Off	If you set the interval to Off, you can still print the report manually from the Print Reports menu.	
			Every 50 Faxes*	The machine will print the Journal when the machine has stored 50 jobs.	
Every 6 Hours Every 12 Hours Every 24 Hours Every 2 Days Every 7 Days			The machine prints the report at the selected time and then erases all jobs from its memory.		
5.Remote Fax Opt (MFC-1811 only) 6.Remote Fax Opt (MFC-1810 and MFC-1815 only)	1.PC Fax Receive	Sets the machine to send faxes to your PC. If you choose On, you can turn on the safety feature Backup Print.	On		42
			Off*		
	2.Print Document	If you turn on the PC-Fax Receive feature and your machine stores received faxes in memory, you can print a fax from the memory.	—		
The factory settings are shown in Bold with an asterisk.					

2.Fax (continued)

Level 2	Level 3	Descriptions 1	Options	Descriptions 2	Page
6.Remaining Jobs (MFC-1811 only) 7.Remaining Jobs (MFC-1810 and MFC-1815 only)	—	You can check which jobs are in the memory and lets you cancel scheduled jobs.	[XXX]	Please follow the prompts on the LCD.	36
0.Miscellaneous	1.Compatibility	If you are having difficulty sending or receiving a fax due to possible interference on the telephone line, adjust the equalization for compatibility to reduce the modem speed for fax operations.	Normal*	Sets the modem speed at 14400 bps.	
			Basic (for VoIP)	Cuts the modem speed to 9600 bps and turns the error correction mode (ECM) off. If you regularly experience interference on your standard telephone line try this setting.	
	2.Caller ID (MFC-1810 and MFC-1815 only)	View or print a list of the last 30 Caller IDs stored in the memory.	Display#	The Caller ID of the last call will appear on the display.	40
			Print Report	Prints the last thirty calls in the Caller ID list.	
The factory settings are shown in Bold with an asterisk.					

3.Copy

3.Copy

Level 2	Level 3	Descriptions 1	Options	Descriptions 2	Page
1.Quality	—	You can choose the Copy resolution for your type of document.	Auto*	Auto is the recommended mode for ordinary printouts. Suitable for documents that contain both text and photographs.	
			Text	Suitable for documents containing mainly text.	
			Photo	Better copy quality for photographs.	
			Receipt	Suitable for copying receipts.	
The factory settings are shown in Bold with an asterisk.					

3.Copy (continued)

Level 2	Level 3	Descriptions 1	Options	Descriptions 2	Page
2.Brightness	—	Adjusts the copy brightness for copies.	-□□□■+ -□□□■+ -□□■□+* -□■□□+ -■□□□+	Press ► to increase the brightness or press ◀ to decrease the brightness.	
3.Contrast	—	Adjust the contrast to help an image look sharper and more vivid.	-□□□■+ -□□□■+ -□□■□+* -□■□□+ -■□□□+	Press ► to increase the contrast or press ◀ to decrease the contrast.	
4.ID Copy	1.Quality	You can change the default settings for ID Copy.	Auto*	Auto is the standard mode for ordinary printouts. If you want to make it clearer, choose <i>Lighter</i> .	
			<i>Lighter</i> The factory setting varies depending on your country.		
	2.Brightness		-□□□■+ -□□□■+* -□□■□+ -□■□□+ -■□□□+	Press ► to increase the brightness or press ◀ to decrease the brightness.	
			-□□□■+ -□□□■+ -□□■□+* -□■□□+ -■□□□+	Press ► to increase the contrast or press ◀ to decrease the contrast.	
	3.Contrast		-□□□■+ -□□□■+ -□□■□+* -□■□□+ -■□□□+	Press ► to increase the contrast or press ◀ to decrease the contrast.	
	4.2in1/1in1		2in1*	Allows you to use the 2 in 1 (ID) Copy key as a double- sided copy.	50
			1in1	Allows you to use the 2 in 1 (ID) Copy key as a one-sided copy.	51

The factory settings are shown in Bold with an asterisk.

4. Printer

4. Printer

Level 2	Level 3	Descriptions 1	Options	Descriptions 2	Page
1. Print Options	1. Test Print	Prints a test page.	—		
2. Auto Continue	—	If this setting is enabled, the machine will automatically clear a paper size error, and will use the paper loaded in the paper tray.	On*	Size mismatch is displayed on the LCD and printing does not occur.	
			Off		
3. Reset Printer	—	Restores the printer settings to the original factory default settings.	1. Reset		
			2. Exit		
The factory settings are shown in Bold with an asterisk.					

5. Print Reports

5. Print Reports

Level 2	Level 3	Descriptions 1	Options	Descriptions 2	Page
1. XMIT Verify	1. View on LCD	You can use the Transmission Verification Report as proof that you sent a fax. This report lists the receiving party's name or fax number, the time and date of transmission, duration of transmission, number of pages sent, and whether or not the transmission was successful.	—	You can view the Transmission Verification Report for your last 200 outgoing faxes.	
	2. Print Report		—	Print the last report.	
2. Address Book	1. Numeric	Lists names and numbers stored in the Speed Dial memory.	—	Print in numerical order.	
	2. Alphabetic		—	Print in alphabetical order.	
The factory settings are shown in Bold with an asterisk.					

5. Print Reports (continued)

Level 2	Level 3	Descriptions 1	Options	Descriptions 2	Page
3. Fax Journal	—	Prints a list of information about your last 200 incoming and outgoing faxes. (TX: transmit.) (RX: receive.)	—		
4. User Settings	—	Lists your settings.	—		

The factory settings are shown in Bold with an asterisk.

6. Machine Info

6. Machine Info.

Level 2	Level 3	Descriptions 1	Options	Descriptions 2	Page
1. Serial No.	—	You can check the serial number of your machine.	—		
2. Version	1. Main Version	You can check the firmware version of your machine.	—		
3. Page Counter	—	You can check the number of pages the machine has printed during its life.	Total	Displays the total page count.	
			Fax/List	Displays the page counter for faxes and lists.	
			Copy	Displays the page counter for copies.	
			Print	Displays the page counter for printed pages.	
4. Parts Life	1. Toner	You can check the percentage of Toner life that remains.	—		
	2. Drum	You can check the percentage of Drum life that remains.	—		
5. Reset Drum	—	You can reset the drum counter when you replace the drum unit with a new one.	▲ Reset		59
			▼ Exit		

The factory settings are shown in Bold with an asterisk.

Menu and features for DCP models

On-screen programming

Your machine has been designed to be easy to use. The LCD provides on-screen programming using the menu keys.

How to access the menu mode

- 1 Press **Menu**.
- 2 Scroll through each menu level by pressing **▲** or **▼** for the direction you want.
- 3 Press **OK** when the option you want appears on the LCD.
The LCD will then show the next menu level.
- 4 Press **▲** or **▼** to scroll to your next menu selection.
- 5 Press **OK**.
When you have finished setting an option, the LCD will show *Accepted*.
- 6 Press **Stop/Exit** to exit Menu mode.

Menu table

Using the menu table, you can change the settings in your machine by pressing ▲ and ▼ and **OK**. Press **Menu**, and then according to what is shown on the LCD, press ▲ and ▼ to highlight different menu options. Press **OK** to select an option.

In the below example, the paper type setting is changed from **Plain** to **Recycled Paper**.

1.General Setup

Level 2	Level 3	Descriptions 1	Options
1.Paper	1.Paper Type		Plain* Recycled Paper

- 1 Press **Menu**.
- 2 Press ▲ or ▼ to choose 1.General Setup.
Press **OK**.
- 3 Press ▲ or ▼ to choose 1.Paper.
Press **OK**.
- 4 Press ▲ or ▼ to choose 1.Paper Type.
Press **OK**.
- 5 Press ▲ or ▼ to choose Recycled Paper.
Press **OK**.
- 6 Press **Stop/Exit**.


1.General Setup

1.General Setup

Level 2	Level 3	Descriptions 1	Options	Descriptions 2	Page
1.Paper	1.Paper Type		Plain* Recycled Paper		31
	2.Paper Size	Sets the size of the paper in the paper tray.	A4* Letter Legal Folio		31

The factory settings are shown in Bold with an asterisk.

1.General Setup (continued)

Level 2	Level 3	Descriptions 1	Options	Descriptions 2	Page
2.Ecology	1.Toner Save	You can save toner using this feature.	On	Increases the page yield of the toner cartridge. When you set Toner Save to On , print appears lighter.	29
	2.Auto Power Off	If the machine is in Deep Sleep mode for several hours, it will go into Power Off mode automatically. To disable the Power Off mode, press and hold  .	Off* 1 hour 2 hours 4 hours 8 hours		
3.LCD Contrast	—	Adjusts the contrast of the LCD.	-□□□■+ -□□■□+ -□■□□+* -□■□□+ -■□□□+	Press ▲ to make the LCD darker, or press ▼ to make the LCD lighter.	
4.Replace Toner	—	Sets the machine to continue or stop printing after the LCD shows Replace Toner .	Continue	The machine will continue printing. Replace the toner cartridge with a new one after the LCD shows Toner Ended .	29
			Stop*	The machine will stop printing. Replace the toner cartridge with a new one.	
5.Reset	1.All Settings	Restores all the machine settings to factory default.	▲ Reset		
			▼ Exit	Cancel restore and exit the menu.	
The factory settings are shown in Bold with an asterisk.					

2.Copy

2.Copy

Level 2	Level 3	Descriptions 1	Options	Descriptions 2	Page
1.Quality	—	You can choose the Copy resolution for your type of document.	Auto*	Auto is the recommended mode for ordinary printouts. Suitable for documents that contain both text and photographs.	
			Text	Suitable for documents containing mainly text.	
			Photo	Better copy quality for photographs.	
			Receipt	Suitable for copying receipts.	
2.Brightness	—	Adjusts the copy brightness for copies.	-□□□■+ -□□■□+ -□■□□+* -□■□□+ -■□□□+	Press ▲ to increase the brightness or press ▼ to decrease the brightness.	
3.Contrast	—	Adjust the contrast to help an image look sharper and more vivid.	-□□□■+ -□□■□+ -□■□□+* -□■□□+ -■□□□+	Press ▲ to increase the contrast or press ▼ to decrease the contrast.	
4.ID Copy	1.Quality	You can change the default settings for ID Copy.	Auto*	Auto is the standard mode for ordinary printouts. If you want to make it clearer, choose Lighter .	
	2.Brightness		Lighter The factory setting varies depending on your country. -□□□■+ -□□■□+* -□■□□+ -□■□□+ -■□□□+ The factory setting varies depending on your country.		Press ▲ to increase the brightness or press ▼ to decrease the brightness.
The factory settings are shown in Bold with an asterisk.					

2.Copy (continued)

Level 2	Level 3	Descriptions 1	Options	Descriptions 2	Page
4.ID Copy (Continued)	3.Contrast		-□□□■+ -□□□■+ -□□■□+* -□■□□+ -■□□□+	Press ▲ to increase the contrast or press ▼ to decrease the contrast.	
	4.2in1/1in1		2in1*	Allows you to use the 2 in 1 (ID) Copy key as a double- sided copy.	50
			1in1	Allows you to use the 2 in 1 (ID) Copy key as a one-sided copy.	51
The factory settings are shown in Bold with an asterisk.					

3.Printer

3.Printer

Level 2	Level 3	Descriptions 1	Options	Descriptions 2	Page
1.Print Options	1.Test Print	Prints a test page.	—		
2.Auto Continue	—	If this setting is enabled, the machine will automatically clear a paper size error, and will use the paper loaded in the paper tray.	On*		
			Off	Size mismatch is displayed on the LCD and printing does not occur.	
3.Reset Printer	—	Restores the printer settings to the original factory default settings.	▲ Reset		
			▼ Exit		
The factory settings are shown in Bold with an asterisk.					

4.Machine Info

4.Machine Info.

Level 2	Level 3	Descriptions 1	Options	Descriptions 2	Page
1.Serial No.	—	You can check the serial number of your machine.	—		
2.Version	1.Main Version	You can check the firmware version of your machine.	—		
The factory settings are shown in Bold with an asterisk.					

4. Machine Info. (continued)

Level 2	Level 3	Descriptions 1	Options	Descriptions 2	Page
3. Page Counter	—	You can check the number of pages the machine has printed during its life.	Total	Displays the total page count.	
			List	Displays the page counter for lists.	
			Copy	Displays the page counter for copies.	
			Print	Displays the page counter for printed pages.	
4. User Settings	—	Lists your settings.	—		
5. Parts Life	1. Toner	You can check the percentage of Toner life that remains.	—		
	2. Drum	You can check the percentage of Drum life that remains.	—		
6. Reset Drum	—	You can reset the drum counter when you replace the drum unit with a new one.	▲ Reset		59
			▼ Exit		
The factory settings are shown in Bold with an asterisk.					

Entering text (MFC-1810, MFC-1811 and MFC-1815)

When setting certain menu selections, such as the Station ID and the name of a Speed Dial, you will need to type text characters. The dial pad keys have letters printed on them. The keys: **0**, **#** and ***** do *not* have printed letters because they are used for special characters.

Press the appropriate dial pad key the number of times shown in this reference table to access the character you want.

Press number	once	twice	three times	four times	five times
Key on dial pad					
2	A	B	C	2	A
3	D	E	F	3	D
4	G	H	I	4	G
5	J	K	L	5	J
6	M	N	O	6	M
7	P	Q	R	7	P
8	T	U	V	8	T
9	W	X	Y	9	W

Inserting spaces

To enter a space in a fax number, press **▶** once between numbers. To enter a space in a name, press **▶** twice between characters.

Making corrections

If you entered a character incorrectly and want to change it, press **◀** or **▶** to move the cursor to the incorrect character, and then press **Clear**.

Inputting repeated letters

To enter a letter on the same key as the previous letter, press **▶** to move the cursor right before pressing the key again.

Inputting Special characters and symbols

Press *****, **#** or **0**, then press **◀** or **▶** to move the cursor to the symbol or character you want. Press **OK** to choose it. The symbols and characters below will appear depending on your menu selection.

Press ***** for (space) ! " # \$ % & ' () * + , - . / €
 Press **#** for ; < = > ? @ [] ^ _
 Press **0** for Ä Ë Ö Ü À Ç È É 0


Ecology features

Deep Sleep mode

If the machine does not receive any jobs for a certain length of time, the machine will go into Deep Sleep mode automatically and the LCD will show *Deep Sleep*. The machine will wake up when it receives a fax (MFC-1810, MFC-1811 and MFC-1815 only) or a print job.

(For MFC-1815 only) Lifting the handset will also wake up the machine from Deep Sleep mode.

Auto Power Off (DCP-1510 and DCP-1511 only)

If the machine is in Deep Sleep mode for several hours, it will then go into Power Off mode automatically. Power Off mode is the lowest power consumption mode, which achieves a power consumption of approximately 0.28 W. To disable the Power Off mode, press and hold .

- 1 Press **Menu** and then press **▲** or **▼** to choose *1.General Setup*. Press **OK**.
- 2 Press **▲** or **▼** to choose *2.Ecology*. Press **OK**.
- 3 Press **▲** or **▼** to choose *2.Auto Power Off*. Press **OK**.
- 4 Press **▲** or **▼** to choose how many hours before the machine goes into Power Off mode. Choose *1 hour*, *2 hours*, *4 hours*, *8 hours* or *Off*. Press **OK**.
- 5 Press **Stop/Exit**.

Toner Settings

Toner Setting (Continue mode)

You can set the machine to continue printing after the LCD shows *Replace Toner*. The machine will continue printing until the LCD shows *Toner Ended*.

- 1 (For MFC-1810, MFC-1811 and MFC-1815)
Press **Menu**, **1**, **7** and go to step 3.
- (For DCP-1510 and DCP-1511)
Press **Menu** and then press **▲** or **▼** to choose *1.General Setup*. Press **OK**.
- 2 Press **▲** or **▼** to choose *4.Replace Toner*. Press **OK**.
- 3 Press **▲** or **▼** to choose *Continue* or *Stop*. Press **OK**.
- 4 Press **Stop/Exit**.

NOTE

- If you continue printing in the Continue mode, the print may appear lighter.
- After replacing the toner cartridge with a new one, the Continue mode will go back to the default setting (*Stop*).

Receiving faxes in Continue Mode (MFC-1810, MFC-1811 and MFC-1815 only)

The machine can store received faxes in the memory if you choose Continue mode when the LCD shows `Replace Toner`. When received faxes are printed in Continue mode the LCD will ask if the print quality of the fax is OK. If the quality is not good, choose `2.No`. The machine will keep the faxes stored in the memory so you can reprint them after you replace the toner cartridge with a new one. If the print quality is good, choose `1.Yes`. The LCD will ask if you want to delete the printed faxes from the memory. If you choose not to delete them, you will be asked again after you replace the toner cartridge with a new one.

NOTE

If you turn off the machine, faxes stored in the memory will be lost.

Paper settings

5 Press **Stop/Exit**.

Paper Type

- 1 (For MFC-1810, MFC-1811 and MFC-1815)
Press **Menu**, **1**, **2**, **1** and go to step 4.

(For DCP-1510 and DCP-1511)
Press **Menu** and then press **▲** or **▼** to choose 1.General Setup.
Press **OK**.
- 2 Press **▲** or **▼** to choose 1.Paper.
Press **OK**.
- 3 Press **▲** or **▼** to choose 1.Paper Type.
Press **OK**.
- 4 Press **▲** or **▼** to choose Plain or Recycled Paper.
Press **OK**.
- 5 Press **Stop/Exit**.

Paper Size

- 1 (For MFC-1810, MFC-1811 and MFC-1815)
Press **Menu**, **1**, **2**, **2** and go to step 4.

(For DCP-1510 and DCP-1511)
Press **Menu** and then press **▲** or **▼** to choose 1.General Setup.
Press **OK**.
- 2 Press **▲** or **▼** to choose 1.Paper.
Press **OK**.
- 3 Press **▲** or **▼** to choose 2.Paper Size.
Press **OK**.
- 4 Press **▲** or **▼** to choose A4, Letter, Legal, Folio.
Press **OK**.

Acceptable paper

Print quality may vary according to the type of paper you are using.

Paper capacity of the paper tray

Paper size	A4, Letter, Legal, Folio
Paper types	Plain paper, Recycled paper
No. of sheets	up to 150 (80 gsm)
Paper weight	65 - 105 gsm

Some important guidelines when selecting paper are:

- DO NOT use inkjet paper because it may cause a paper jam or damage your machine.
- Preprinted paper must use ink that can withstand the temperature of the machine's fusing process 200 °C.

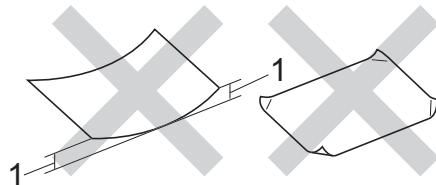
Types of paper to avoid

IMPORTANT

Some types of paper may not perform well or may cause damage to your machine.

DO NOT use paper:

- that is highly textured
- that is extremely smooth or shiny
- that is curled or warped



1 A curl of 2 mm or greater may cause jams to occur.

- that is coated or has a chemical finish
- that is damaged, creased or folded
- that exceeds the recommended weight specification in this guide
- with tabs and staples
- with letterheads using low temperature dyes or thermography
- that is multipart or carbonless
- that is designed for inkjet printing

If you use any of the types of paper listed above, they may damage your machine. This damage may not be covered under any Brother warranty or service agreement.

3

Loading documents

How to load documents

You can send a fax (MFC-1810, MFC-1811 and MFC-1815 only), make copies, and scan from the ADF (Automatic Document Feeder) and the scanner glass.

Using the automatic document feeder (ADF) (MFC-1810, MFC-1811 and MFC-1815)

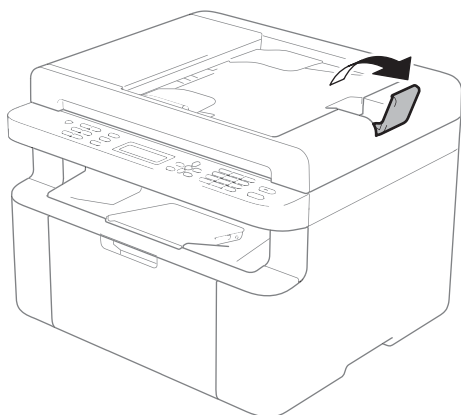
The ADF can hold up to 10 pages and feeds each sheet individually. We recommend you use standard 80 gsm paper and always fan the pages before putting them in the ADF.

Document Sizes Supported

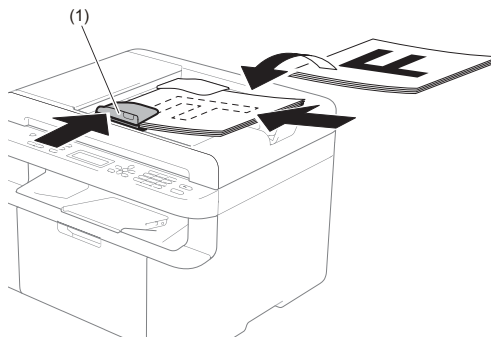
Size:	A4, Letter, Legal, Folio
-------	--------------------------

How to load documents

- 1 Lift up and unfold the ADF document output support flap.



- 2 Load your document *face down, top edge first* in the ADF until the LCD message changes.
- 3 Adjust the paper guides (1) to fit the width of your document.



Using the scanner glass

You can use the scanner glass to fax (MFC-1810, MFC-1811 and MFC-1815 only), copy or scan pages of a book, one page at a time.

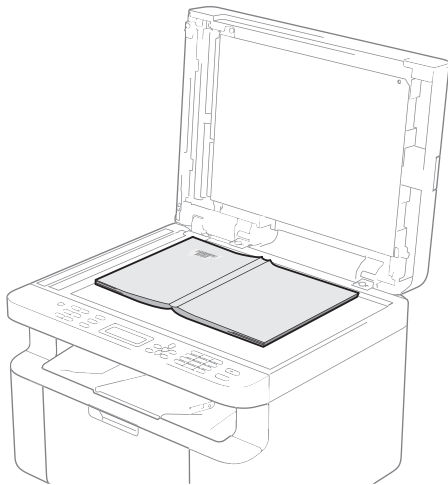
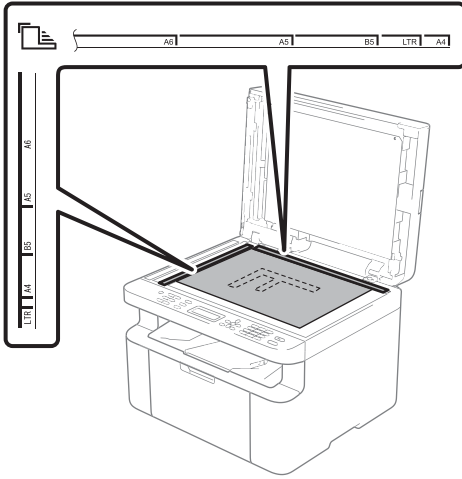
Document Sizes Supported

Length:	Up to 300.0 mm
Width:	Up to 215.9 mm
Weight:	Up to 2.0 kg

How to load documents

- 1 Lift the document cover.

- Using the document guidelines on the left and top, place the document *face down* in the upper left corner of the scanner glass.



- Close the document cover.

IMPORTANT

If the document is a book or is thick do not slam the cover or press on it.

4

Sending a fax (MFC-1810, MFC-1811 and MFC-1815)

How to send a fax

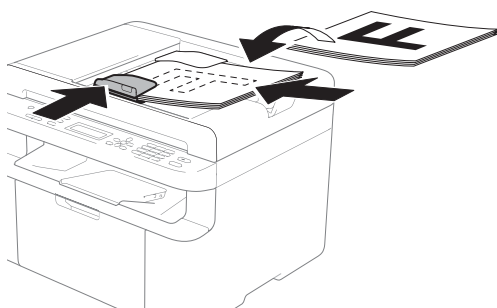
The following steps show you how to send a fax.

- 1 Press **FAX**.

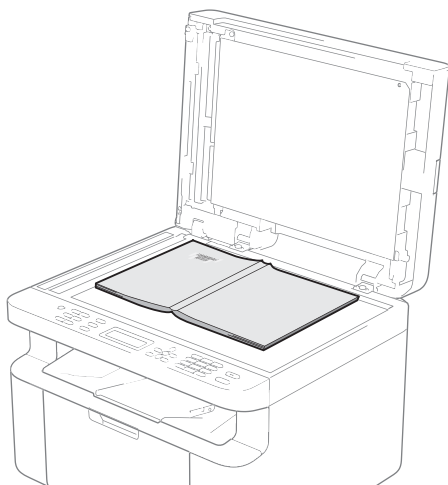


- 2 Load your document.

- If you are sending from the ADF:



- If you are sending from the scanner glass:



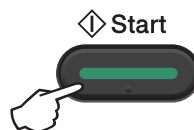
After placing the document on the scanner glass, close the document cover.

NOTE

- To use the scanner glass, the ADF must be empty.
- If you want to change the fax resolution, press **▼** or **Resolution** and then press **▲** or **▼** or **Resolution** to choose the fax resolution.

- 3 Enter the fax number.

- 4 Press **Start** to send a fax.



Cancelling a fax in progress

Press **Stop/Exit** to cancel the fax. If you press **Stop/Exit** while the machine is dialling or sending, the LCD will ask you to confirm.

```
Dialing #XXX  
1.Clear 2.Exit
```

```
Sending #XXX P01  
1.Clear 2.Exit
```

Press **1** to cancel the fax.

Broadcasting

Broadcasting lets you send the same fax message to more than one fax number. You can include Speed Dial numbers and up to 20 manually dialled numbers in the same broadcast.

Before you begin the broadcast

Speed Dial numbers must be stored in the machine's memory before they can be used in a broadcast. (See *Storing Speed Dial numbers* on page 39.)

How to broadcast a fax

- 1 Load your document.
- 2 Enter a number.
Press **OK**.
You can use a Speed Dial number, or a number manually entered using the dial pad. (See *How to dial* on page 40.)
- 3 Repeat step 2 until you have entered all the fax numbers you want to broadcast to.
- 4 Press **Start**.

After the broadcast is finished the machine will print a broadcast report to let you know the results.

Cancelling a Broadcast in progress

While broadcasting you can cancel the fax currently being sent or the whole broadcast job.

- 1 (For MFC-1811)
Press **Menu, 2, 6**.

(For MFC-1810 and MFC-1815)
Press **Menu, 2, 7**.

The LCD will display the Broadcast job number followed by the fax number or name being dialled (for example, #001 0123456789). Press **▲** or **▼** to show the broadcast job number (for example, Broadcast#001).

- 2 Press **▲** or **▼** to choose one of the following:
 - Choose the fax number or name being dialled, and press **OK**.
 - Choose the broadcast job number, and press **OK**.
- 3 Press **1** to cancel the fax number or Broadcast job number you chose in step 2, or press **2** to exit without cancelling.
If you chose to only cancel the fax currently being sent in step 2, the LCD will ask you if you want to cancel the broadcast job. Press **1** to clear the whole broadcast job or **2** to exit.
- 4 Press **Stop/Exit**.

5

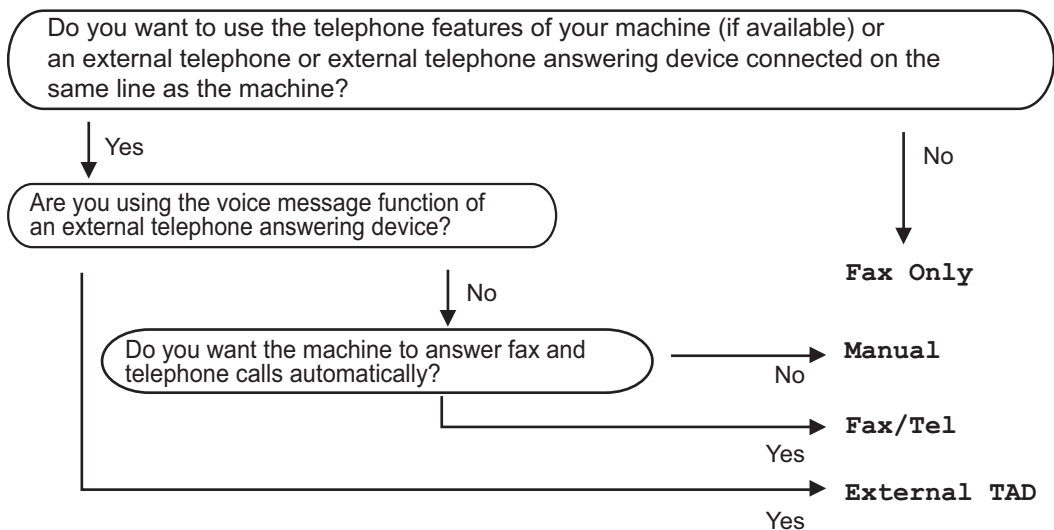
Receiving a fax (MFC-1810, MFC-1811 and MFC-1815)

Receive modes

You must choose a receive mode depending on the external devices and telephone services you have on your line.

Choosing the receive mode

By default, your machine will automatically receive any faxes that are sent to it. The diagrams below will help you choose the correct mode. (For more detailed information about the receive modes, see *Menu table* on page 8.)



To set the receive mode follow the instructions below:

- 1 Press **Menu, 0, 1**.
- 2 Press **▲** or **▼** to choose the receive mode. Press **OK**.
- 3 Press **Stop/Exit**.

The LCD will display the current receive mode.

Receive Mode settings

Ring Delay

The Ring Delay setting sets the number of times the machine rings before it answers in *Fax Only* and *Fax/Tel* modes.

If you have external or extension telephones on the same line as the machine, choose the maximum number of rings. (See *Fax Detect* on page 38.)

- 1 Make sure you are in FAX mode.
- 2 Press **Menu, 2, 1, 1**.
- 3 Press **▲** or **▼** to choose how many times the line rings before the machine answers (02-10 for Australia, 01-10 for New Zealand, 00-10 for some countries).
Press **OK**.
- 4 Press **Stop/Exit**.

F/T Ring Time (Fax/Tel mode only)

When somebody calls your machine, you and your caller will hear the normal telephone ring sound. The number of rings is set by the Ring Delay setting.

If the call is a fax, then your machine will receive it; however, if it is a voice call the machine will sound the F/T ring (a fast double-ring) for the time you have set in the F/T Ring Time setting. If you hear the F/T ring it means that you have a voice caller on the line.

Because the F/T ring is made by the machine, extension and external (MFC-1810 and MFC-1811 only) telephones will *not* ring.

- 1 Make sure you are in FAX mode.
- 2 Press **Menu, 2, 1, 2**.

- 3 Press **▲** or **▼** to choose how long the machine will ring to alert you that you have a voice call.
Press **OK**.

- 4 Press **Stop/Exit**.

Fax Detect

If Fax Detect is On:

The machine can receive a fax automatically, even if you answer the call. When you see *Receiving* on the LCD or hear a click on the phone line through the handset you are using, just replace the handset. Your machine will do the rest.

(For MFC-1815) If Fax Detect is Semi:

The machine will only receive a fax call automatically if you answered it using the machine's handset.

If Fax Detect is Off:

If you are at the machine and answer a fax call first by lifting the external handset (MFC-1810 and MFC-1811 only) or the machine (MFC-1815 only), press **Start** and then press **2** to receive a fax.

NOTE

- If you send faxes from a computer on the same telephone line and the machine intercepts them, set Fax Detect to *Off*.
- We do not recommend having a PC and a fax machine on the same line.

- 1 Make sure you are in FAX mode.
- 2 Press **Menu, 2, 1, 3**.
- 3 Press **▲** or **▼** to choose *On*, *Semi* (MFC-1815 only) or *Off*.
Press **OK**.
- 4 Press **Stop/Exit**.


Dialling and storing numbers (MFC-1810, MFC-1811 and MFC-1815)


Storing numbers

You can set up your machine for easy dialling by storing Speed Dials. When you dial a speed dial number, the LCD shows the name, if you stored it, or the number.

Storing Speed Dial numbers

You can store your frequently used numbers as Speed Dial numbers, so that when you dial you will only have to press a few keys

( **(Address Book)** twice, the two digit number and **Start**). The machine can store 99 Speed Dial numbers (01- 99).

- 1 Press  **(Address Book)** twice and enter a two digit Speed Dial location number (01-99).
If a number is not stored there, the LCD shows *Register Now?*
Press **1** to choose *Yes*.
- 2 Enter the telephone or fax number (up to 20 characters).
Press **OK**.
- 3 Do one of the following:
 - Enter the name using the dial pad (up to 15 characters). For help entering characters, see *Entering text (MFC-1810, MFC-1811 and MFC-1815)* on page 28.
Press **OK**.
 - Press **OK** to store the number without a name.
- 4 To store another Speed Dial number, go to step 1.

Changing or Deleting Speed Dial numbers

You can change or delete a Speed Dial number that has already been stored.

- 1 (For MFC-1811)
Press **Menu, 2, 3, 1**.

(For MFC-1810 and MFC-1815)
Press **Menu, 2, 4, 1**.
Enter the Speed Dial number you want to change or delete, then press **OK**.
- 2 Do one of the following:
 - Press **1** to choose *Change* to edit the number or name.
Go to step 3.
 - Press **2** to choose *Clear* to delete all information in a Speed Dial number.

When *Erase This Data?* appears, press **1** to choose *Yes* to confirm.
Go to step 4.
- 3 Edit the number or the name. When you are finished editing, press **OK**.
- 4 Press **Stop/Exit**.


How to dial

You can dial in any of the following ways.

Manual dialling

Use the dial pad to enter all the digits of the telephone or fax number.

Speed dialling

Press  (**Address Book**) twice and enter the two digit Speed Dial number. (See *Storing Speed Dial numbers* on page 39.)




Two digit number

NOTE

If the LCD shows *Register Now?* when you enter a Speed Dial number, it means that a number is not stored there.

Search

You can search alphabetically for names you have stored in the Speed Dial memories. (See *Storing Speed Dial numbers* on page 39.)

- 1 Make sure you are in FAX mode.
- 2 Press  (**Address Book**).

- 3 Press the dial pad key for the first few letters of the name. (Use the chart on *Entering text (MFC-1810, MFC-1811 and MFC-1815)* on page 28 to help you enter letters.)
Press **OK**.
- 4 Press **▲** or **▼** to scroll until you find the name you are looking for.
Press **OK**.
- 5 Press **Start**.

NOTE

- If you do not enter a letter and press **OK** in step 3, all registered names will appear. Press **▲** or **▼** to scroll until you find the name you are looking for.
- If the LCD shows *No Contact Found* when you enter the first few letters of the name, it means that a name for the letters is not stored.

Redial

Ensuring the line is not in use, press **Redial** to find the last 20 numbers you recently dialled. Press **Redial** or **▲** or **▼** to scroll until you find the number you want to call again. Press **OK** and then press **Start** to send a fax.

Caller ID (MFC-1810 and MFC-1815 only)

The Caller ID feature lets you use the Caller ID subscriber service offered by many local telephone companies. This service shows the telephone number, or name if it is available, of your caller as the line rings.

Viewing the Caller ID List

Your machine stores information for the last thirty calls in the Caller ID list. You can view or print this list. When the 31st call comes in to the machine, it replaces information about the first call.

- 1 Press **Menu, 2, 0, 2**.
The screen displays the current setting.
- 2 Press **▲** or **▼** to choose `Display#`.
Press **OK**.
The Caller ID of the last call will appear on the display.
If no ID is stored, the beeper will sound and `No Caller ID` will appear on the display. Go to step 4.
- 3 Press **▲** or **▼** to scroll through the Caller ID memory to choose the Caller ID you want to view, and then press **OK**.
The LCD will show the caller's number and the date and time of the call.
- 4 To finish viewing, press **Stop/Exit**.

7

Using PC-FAX (MFC-1810, MFC-1811 and MFC-1815)

PC-FAX Receive (For Windows[®] only)

If you turn on the PC-Fax Receive feature your machine will store received faxes in memory and send them to your PC automatically. You can then use your PC to view and store these faxes.

Even if you have turned off your PC (at night or on the weekend, for example), your machine will receive and store your faxes in its memory. The LCD will show the number of stored faxes received, for example:

PC Fax Msg:001

When you start your PC and the PC-Fax Receiving software runs, your machine transfers your faxes to your PC automatically.

To transfer the received faxes to your PC you must have the PC-FAX Receiving software running on your PC.

Do one of the following:

(Windows[®] XP, Windows Vista[®] and Windows[®] 7)

From the  (Start) menu, select

All Programs, Brother, MFC-XXXX, PC-FAX Receiving, and select **Receive**. (XXXX is your model name.)

(Windows[®] 8)

Click  (Brother Utilities), and then

click the drop-down list and select your model name (if not already selected). Click **PC-FAX Receive** in the left navigation bar and then click **Receive**.

Then, complete the following steps on your machine.

1 (For MFC-1811)
Press **Menu, 2, 5, 1**.

(For MFC-1810 and MFC-1815)
Press **Menu, 2, 6, 1**.

2 Press **▲** or **▼** to choose **On** (or **Off**).
Press **OK**.

3 The LCD shows a reminder to start the PC-FAX Receive program on your computer. If you have started the PC-FAX Receive program, press **OK**. If you have not started the PC-FAX Receive program, see Software User's Guide: *PC-FAX receiving*.

4 Press **▲** or **▼** to choose **On** or **Off**.
Press **OK**.

5 Press **Stop/Exit**.

IMPORTANT

- If you choose **Backup Print On**, the machine will also print the fax at your machine so you will have a copy. This is a safety feature in case there is a power failure before the fax is transferred to your PC.
- The faxes stored in the machine's memory will be deleted.

NOTE

- Before you can set up PC-Fax Receive you must install the MFL-Pro Suite software on your PC. Make sure your PC is connected and turned on.
(See Software User's Guide: *PC-FAX receiving*)
 - If your machine has an error and is unable to print faxes from memory, you can use this setting to transfer your faxes to a PC.
(See *Transferring your faxes or Fax Journal report (MFC-1810, MFC-1811 and MFC-1815)* on page 74.)
 - PC-Fax Receive is not supported in Mac OS.
-

PC-FAX sending

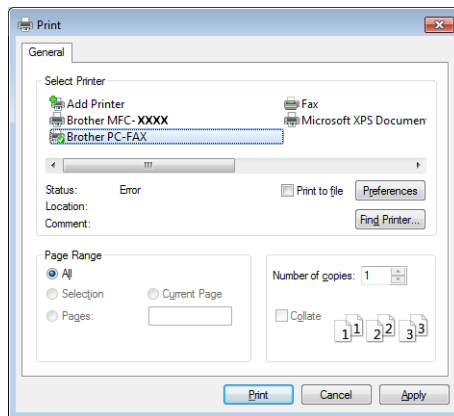
You can send a file created in any application on your PC as a standard fax.

NOTE

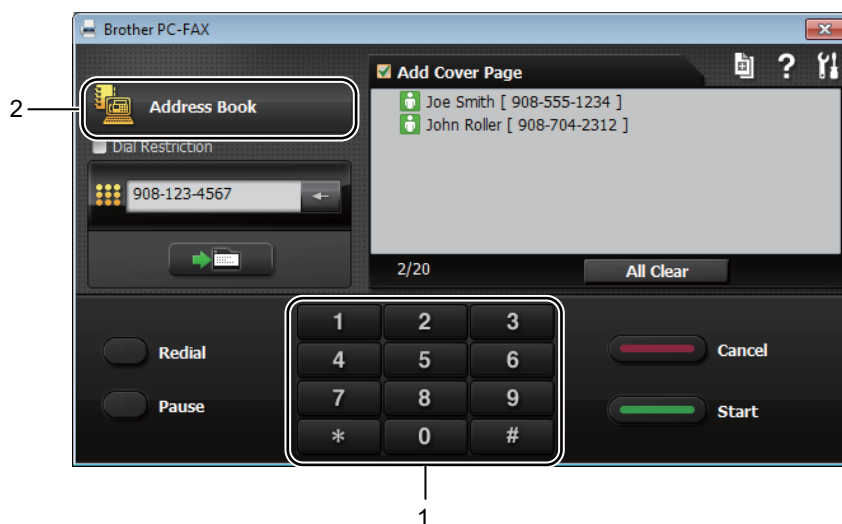
- The PC-FAX software can only send Black & White fax documents in A4 size.
- Please install MFL-Pro Suite software, connect your machine and PC before using PC-FAX sending.

Sending a file as a PC-FAX


- 1 Create a file in any application on your PC.
- 2 Click **File**, then **Print**.
The **Print** dialog box appears:



- 3 Choose **Brother PC-FAX** as your printer, and then click **Print**.
The PC-FAX sending dialog box appears:



- 1 Dial Pad
2 Address Book

- 4 Enter a fax number using any of the following methods:
- Use the dial pad to enter the number and then click the  button.
 - Click the **Address Book** button, and then choose a member or group from the Address Book.

If you make a mistake, click **All Clear** to delete all the entries.

- 5 To include a cover page, click **Add Cover Page**.

NOTE

You can also click the cover page  icon to create or edit a cover page.


- 6 Click **Start** to send the fax.

NOTE


- If you want to cancel the fax, click **Cancel** or press **Stop/Exit** on the machine's control panel.
- If you want to redial a number, click **Redial** to cycle through the last five fax numbers, and then click **Start**.

Telephone and external devices (MFC-1810, MFC-1811 and MFC-1815)

Voice operations (MFC-1815 only)

Voice calls can be made with the handset by using the dial pad or by pressing  (**Address Book**) twice and entering a two digit Speed Dial number.

Making a telephone call

- 1 Pick up the handset.
- 2 When you hear the dial tone, enter a number using the dial pad or press  (**Address Book**) twice and enter a two digit Speed Dial number.
- 3 Replace the handset to hang up.

Hold

- 1 Press **Hook/Hold** to put a call on Hold. You can replace the handset without disconnecting the call.
- 2 Pick up the machine's handset to release the call from Hold.

Connecting an external TAD (MFC-1810 and MFC-1811 only)

You can connect an external Telephone Answering Device (TAD) to the same line as your machine. When the TAD answers a call, your machine will "listen" for the CNG (fax calling) tones sent by a sending fax machine. If it hears them it will take over the call and receive the fax. If it does not hear them, it will let your TAD take a voice message and the display will show *Telephone*.

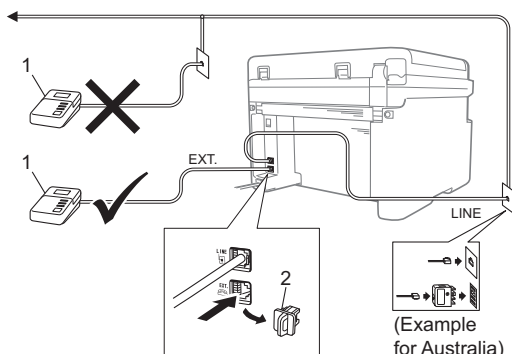
The external TAD must answer within four rings (we recommend you set it to two rings). This is because your machine cannot hear the CNG tones until the external TAD has picked up the call. The sending machine will send CNG tones for only eight to ten seconds longer. We do not recommend using the toll saver feature on your external TAD if it needs more than four rings to activate it.

NOTE

If you have problems receiving faxes, reduce the ring delay setting on your external TAD to one or two rings.

Connections

The external TAD must be connected as shown in the illustration below.



1 TAD

2 Protective Cap

Before you connect an external TAD (telephone answering device), remove the protective cap (2) from the **EXT.** jack on the machine.

- 1 Set your external TAD to one or two rings. (The machine's Ring Delay setting does not apply.)
- 2 Record the outgoing message on your external TAD.
- 3 Set the TAD to answer calls.
- 4 Set the Receive Mode on your machine to **External TAD**. (See *Receive modes* on page 37.)

Recording an outgoing message (OGM)

- 1 Record 5 seconds of silence at the beginning of your message. (This allows your machine time to listen for the fax CNG tones of automatic transmissions before they stop.)
- 2 Limit your speaking to 20 seconds. For example: "After the beep, leave a message."

Multi-line connections (PABX)

Most offices use a central telephone system. Brother recommends that all our Fax/MFC machines are connected to a discreet (dedicated) line. Although a particular Private Automatic Branch Exchange (PABX) may appear to work with a particular model of fax machine, we cannot guarantee that the unit will operate correctly.

While it is often relatively simple to connect a fax machine to a PABX, we suggest that you contact the company that installed your telephone system and ask them to connect the fax machine for you.

Brother does not recommend the use of a PABX line. PABX limitations in general can cause some functions of the fax machine not to work correctly.

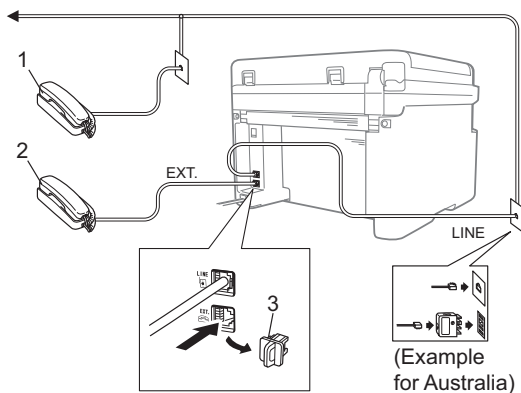
External and extension telephones

NOTE

An external telephone is available only for MFC-1810 and MFC-1811.

Connecting an external or extension telephone

You can connect a separate telephone directly to your machine as shown in the diagram below.



- 1 Extension telephone
- 2 External telephone
- 3 Protective Cap

Before you connect an external telephone, remove the protective cap (3) from the **EXT.** jack on the machine.

When you are using an external telephone, the LCD shows `Telephone`.

For Fax/Tel mode only

When the machine is in Fax/Tel mode, it will use the F/T Ring Time (fast double-ringing) to alert you to pick up a voice call.

Lift the external telephone's handset (MFC-1810 and MFC-1811 only) or the machine (MFC-1815 only), and then press **Hook** or **Hook/Hold** to answer.

Using a non-Brother cordless external handset

If your non-Brother cordless telephone is connected to the telephone line cord (see *Connecting an external or extension telephone* on page 48) and you typically carry the cordless handset elsewhere, it is easier to answer calls during the Ring Delay.

If you let the machine answer first, lift the cordless handset and then go to the machine so you can press **Hook** or **Hook/Hold** to transfer the call to the cordless handset.

NOTE

Not all brands of cordless telephones are compatible for use with your machine.

9

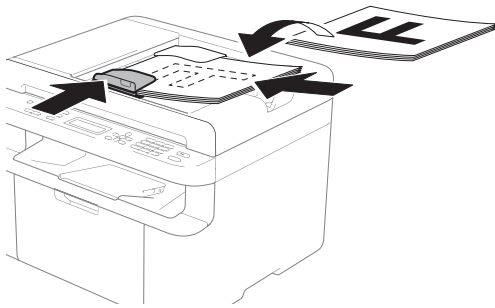
Making copies

How to copy

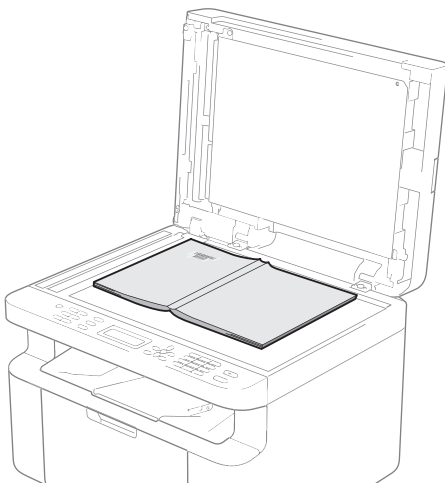
- 1 (For MFC-1810, MFC-1811 and MFC-1815)
Press **COPY**.



- 2 Load your document.
 - (For MFC-1810, MFC-1811 and MFC-1815)
If you are copying from the ADF:



- If you are copying from the scanner glass:



After placing the document on the scanner glass, close the document cover.

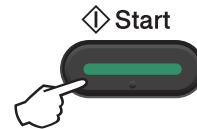
NOTE

To use the scanner glass, the ADF must be empty.

- 3 (For MFC-1810, MFC-1811 and MFC-1815)
Use the dial pad to enter the number of copies you want (up to 99 copies).

(For DCP-1510 and DCP-1511)
Press ▲ or ▼ to enter the number of copies you want.

- 4 Press **Start** to copy.

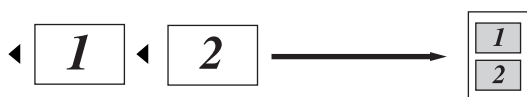


ID COPY

You can copy your identification card for both one-sided and double-sided.

Double-sided ID copy can copy both sides of your identification card onto one page, keeping the original card size.

The result of the double-sided ID copy is shown below.



NOTE

- You can copy an identification card to the extent permitted under applicable laws. (See Product Safety Guide: Unlawful use of copying equipment (MFC and DCP only))
- For the ID Copy Settings, (For MFC-1810, MFC-1811 and MFC-1815) See 3.Copy on page 18. (For DCP-1510 and DCP-1511) See 2.Copy on page 25.

Double-sided ID copy

- 1 (For MFC-1810, MFC-1811 and MFC-1815)
Press **Menu**, **3**, **4** and go to step 3.

(For DCP-1510 and DCP-1511)
Press **Menu** and then press **▲** or **▼** to choose 2.Copy.
Press **OK**.
- 2 Press **▲** or **▼** to choose 4.ID Copy.
Press **OK**.
- 3 Press **▲** or **▼** to choose 4.2in1/1in1.
Press **OK**.
Press **▲** or **▼** to choose 2in1 for double-sided copy as a default.
Press **OK** and then press **Stop/Exit**.

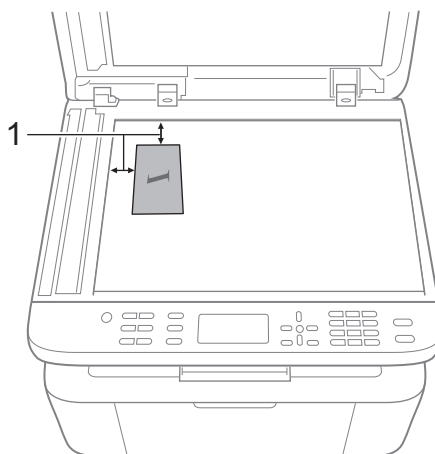
- 4 (For MFC-1810, MFC-1811 and MFC-1815)
Press **COPY**.



(For DCP-1510 and DCP-1511)
Press **▲** or **▼** to enter the number of copies you want.

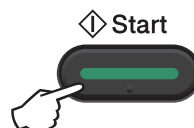
- 5 Press **2 in 1 (ID) Copy**.

- 6 Place your identification card *face down* at the Left (neither right side nor center) corner of the scanner glass.

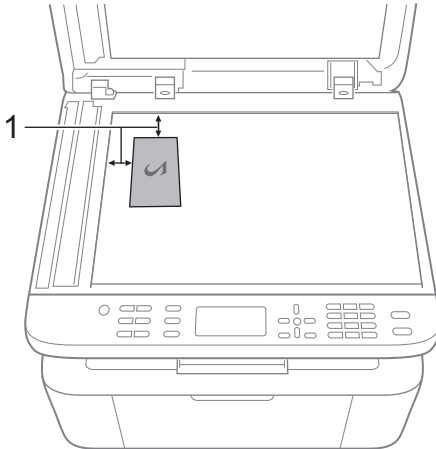


1 4 mm or greater (top, left)

- 7 (For MFC-1810, MFC-1811 and MFC-1815)
Enter the number of copies you want.
- 8 Press **Start** to scan.

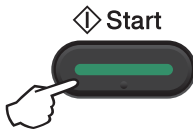


- 9 Turn over your identification card and place it at the left side of the scanner glass.



1 4 mm or greater (top, left)

- 10 Press **Start** to scan.



- 4 (For MFC-1810, MFC-1811 and MFC-1815)
Press **COPY**.



- 5 (For MFC-1810, MFC-1811 and MFC-1815)
Enter the number of copies you want.

(For DCP-1510 and DCP-1511)
Press ▲ or ▼ to enter the number of copies you want.

- 6 Place your identification card *face down* on the scanner glass.

- 7 Press **2 in 1 (ID) Copy**.

One-sided ID copy

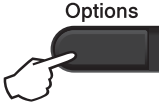

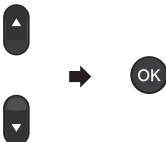
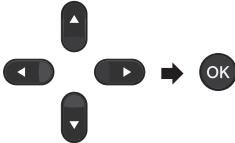

- 1 (For MFC-1810, MFC-1811 and MFC-1815)
Press **Menu**, **3**, **4** and go to step 3.

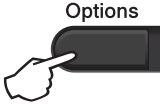
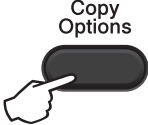

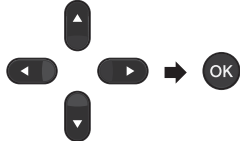
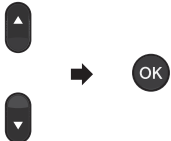
(For DCP-1510 and DCP-1511)
Press **Menu** and then press ▲ or ▼ to choose **2 . Copy**.
Press **OK**.

- 2 Press ▲ or ▼ to choose **4 . ID Copy**.
Press **OK**.
- 3 Press ▲ or ▼ to choose **4 . 2in1/1in1**.
Press **OK**.
Press ▲ or ▼ to choose **1in1** for one-sided copy as a default.
Press **OK** and then press **Stop/Exit**.

Other copies

Make sure you are in COPY mode. Use the **Options** or **Copy Options** key to quickly set the following copy settings only for the next copy.

<p>Press (MFC-1810, MFC-1811 and MFC-1815 only)</p>  <p>(DCP-1510 and DCP-1511 only)</p> 	<p>Menu selections</p> <p>Press ▲ or ▼, then press OK</p> 	<p>Options</p> <p>(MFC-1810, MFC-1811 and MFC-1815 only)</p> <p>Press ▲, ▼, ◀ or ▶, then press OK</p>  <p>(DCP-1510 and DCP-1511 only)</p> <p>Press ▲ or ▼, then press OK.</p> 
	<p>Quality</p>	<p>Auto*</p> <p>Text</p> <p>Photo</p> <p>Receipt</p>
	<p>Stack/Sort</p>	<p>Stack*</p> <p>Sort</p>
	<p>Brightness</p>	<p>-■□□□+</p> <p>-□■□□+</p> <p>-□□■□+*</p> <p>-□□□■+</p> <p>-□□□■+</p>
	<p>Contrast</p>	<p>-■□□□+</p> <p>-□■□□+</p> <p>-□□■□+*</p> <p>-□□□■+</p> <p>-□□□■+</p>
<p>The factory settings are shown in Bold with an asterisk.</p>		

<p>Press</p> <p>(MFC-1810, MFC-1811 and MFC-1815 only)</p>  <p>(DCP-1510 and DCP-1511 only)</p> 	<p>Menu selections</p> <p>Press ▲ or ▼, then press OK</p> 	<p>Options</p> <p>(MFC-1810, MFC-1811 and MFC-1815 only)</p> <p>Press ▲, ▼, ◀ or ▶, then press OK</p>  <p>(DCP-1510 and DCP-1511 only)</p> <p>Press ▲ or ▼, then press OK.</p> 
	<p>Enlarge/Reduce</p>	<p>100%*</p> <p>200%</p> <p>Auto ¹</p> <p>Custom (25-400%)</p> <p>50%</p> <p>78% LGL-LTR ²</p> <p>83% LGL-A4 ²</p> <p>91% Full Page</p> <p>94% A4-LTR</p> <p>97% LTR-A4</p>
	<p>Page Layout</p>	<p>Off (1 in 1)*</p> <p>2 in 1 (P)</p> <p>2 in 1 (L)</p> <p>4 in 1 (P)</p> <p>4 in 1 (L)</p>

The factory settings are shown in Bold with an asterisk.

¹ Auto sets the machine to calculate the reduction ratio that best fits the size of paper. Auto is only available when using the ADF.

² "LGL-LTR" and "LGL-A4" are displayed on MFC models only.

10

How to scan to a computer

Scanning a document as a PDF file using ControlCenter4

(For further information: See Software User's Guide: *Scanning*)

NOTE

The screens on your PC may vary depending on your model.


ControlCenter4 is a software utility that lets you quickly and easily access the applications you use most often.

- 1 Load your document.
- 2 Do one of the following:
(Windows® XP, Windows Vista® and Windows® 7)

Open ControlCenter4 by clicking  (Start)/All Programs/Brother/XXX-XXXX

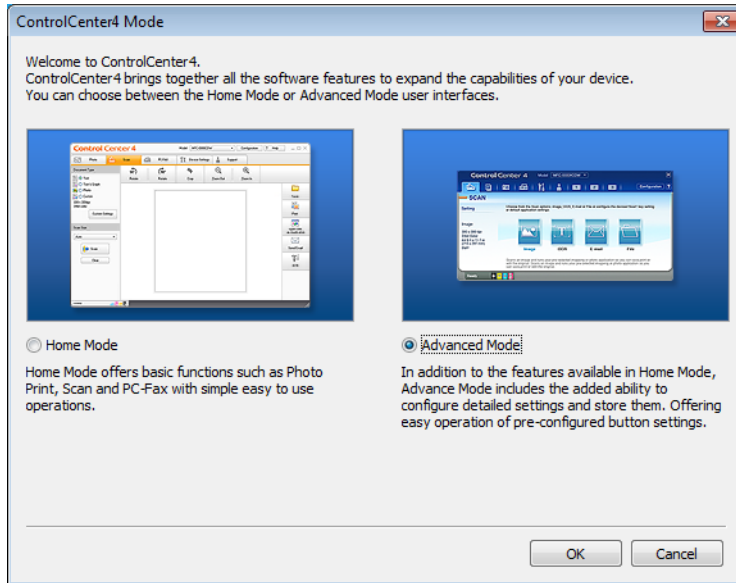
(where XXX-XXXX is your model name)/ControlCenter4. The ControlCenter4 application will open.

(Windows® 8)

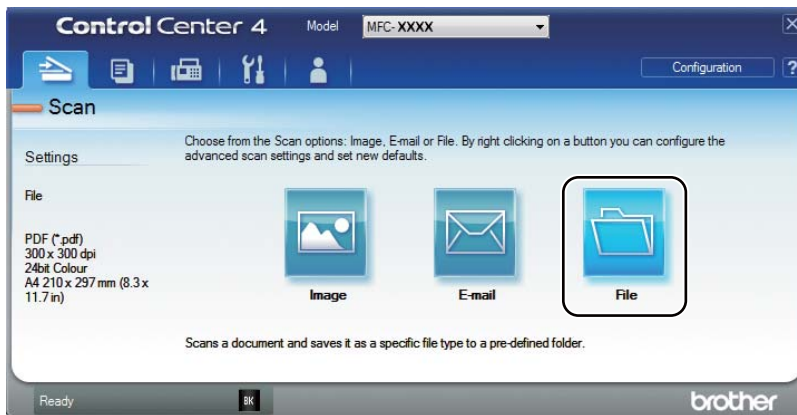
Click  (Brother Utilities), and then click the drop-down list and select your model name (if not already selected). Click **SCAN** in the left navigation bar, and then click **ControlCenter4**.

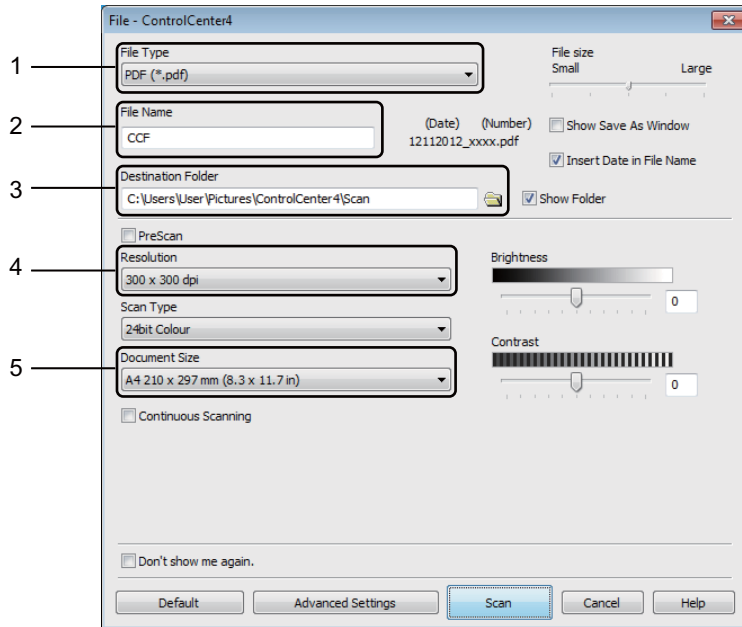
The ControlCenter4 application will open.


- 3 Choose **Advanced Mode** and then click **OK**.



- 4 Click **File** in the **Scan** tab.






- 1 Choose **PDF (*.pdf)** from the File Type drop-down list.
 - 2 You can enter the file name you want to use for the document.
 - 3 You can save the file to the default folder, or choose your preferred folder by clicking the  (**Browse**) button.
 - 4 You can choose a scanning resolution from the **Resolution** drop-down list.
 - 5 You can choose the document size from the **Document Size** drop-down list.
- 5** Click **Scan**.
The machine starts the scanning process. The folder where the scanned data is saved will open automatically.

Scanning using the SCAN key

NOTE

If you want to use this function, install the MFL-Pro Suite and connect the machine to your PC with a USB cable.

- 1 Load your document. (See *How to load documents* on page 33.)
- 2 Press  (**SCAN**).
- 3 Press ▲ or ▼ to choose `Scan to PC`.
Press **OK**.
- 4 Press ▲ or ▼ to choose a scan type (`File`, `E-mail` or `Image`).
Press **OK**.
- 5 Press ▲ or ▼ to choose `Start Scan`.
Press **OK**.
- 6 Press **Start**.
The machine starts the scanning process.

SCAN key settings


You can change your machine's **SCAN** key settings using ControlCenter4.

- 1 Do one of the following:
(Windows® XP, Windows Vista® and Windows® 7)

Open ControlCenter4 by clicking  (**Start**)/**All Programs**/**Brother**/**XXX-XXXX**

(where XXX-XXXX is your model name)/**ControlCenter4**. The ControlCenter4 application will open.

(Windows® 8)

Click  (**Brother Utilities**), and then click the drop-down list and select your model name (if not already selected). Click **SCAN** in the left navigation bar, and then click **ControlCenter4**.

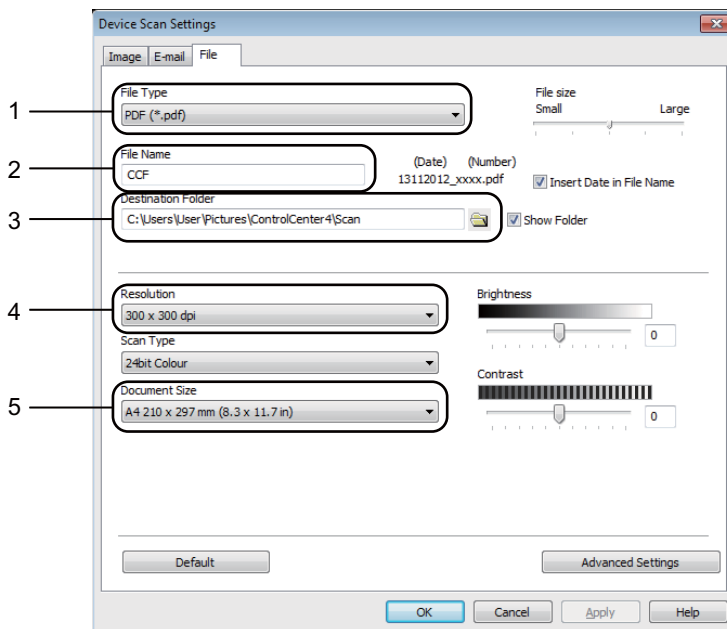
The ControlCenter4 application will open.


- 2 Click the **Device Settings** tab.

- 3 Click **Device Scan Settings**.



- 4 Choose the **File** tab. You can change the default settings.



- 1 You can choose the file type from the drop-down list.
- 2 You can enter the file name you want to use for the document.
- 3 You can save the file to the default folder, or choose your preferred folder by clicking the  (**Browse**) button.
- 4 You can choose a scanning resolution from the **Resolution** drop-down list.
- 5 You can choose the document size from the **Document Size** drop-down list.

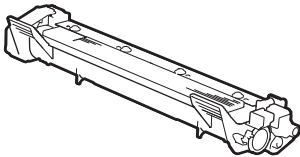
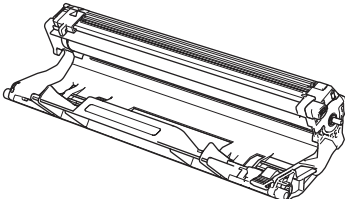
- 5 Click **OK**.

A

Troubleshooting and other information

Consumable items

The drum unit and toner cartridge are two separate consumables. Make sure both are installed as an assembly. For more information on how to replace the consumable items, see the instructions included with the drum unit for replacing the drum unit or see the instructions listed on the box of the toner cartridge for replacing the toner cartridge.

Toner cartridge	Drum unit
Model Name: (For Asia) TN-1000 (For Oceania) TN-1070 (For India) TN-1020	Model Name: (For Asia) DR-1000 (For Oceania) DR-1070 (For India) DR-1020
	

IMPORTANT

- Brother machines are designed to work with toner of a particular specification and will work to a level of optimum performance when used with Brother Original toner cartridges. Brother cannot guarantee this optimum performance if toner or toner cartridges of other specifications are used. The machine may not detect toner or toner cartridges of other specifications correctly but may instead detect such items as standard yield toner cartridges. Brother does not therefore recommend the use of cartridges other than Brother Original cartridges with this machine, or the refilling of empty cartridges with toner from other sources. If damage is caused to the drum unit or other parts of this machine as a result of the use of toner or toner cartridges other than Brother Original products due to the incompatibility or lack of suitability of those products with this machine, any repairs required as a result may not be covered by the warranty.
- For best performance, use Brother Original drum and toner units. Printing with a third party drum unit or toner unit may reduce not only the print quality but also the quality and life of the machine itself. Warranty coverage may not apply to problems caused by the use of a third party drum or toner unit.

NOTE

- Discard used consumable items according to local regulations, keeping it separate from domestic waste. If you have questions, call your local waste disposal office. Be sure to reseal the consumable items tightly so that the material inside does not spill.

- The projected life for each of the toner cartridges is based on ISO/IEC 19752. Frequency of replacement will vary depending on the complexity of printed pages, percentage of coverage and type of media used.
 - Availability of toner cartridges differs from one country to another. Visit the Brother Solutions Center at <http://solutions.brother.com/> or contact your local Brother office for further details.
-

Identifying your problem

First, check the following:

- **The machine's power cord is connected correctly and the machine is turned on.**
- **All of the protective parts have been removed.**
- **Paper is inserted correctly in the paper tray.**
- **The interface cables are securely connected to the machine and the computer.**

If you did not solve your problem with the above checks, identify your problem and then go to the page suggested below:

Telephone and Fax problems (MFC-1810, MFC-1811 and MFC-1815) on page 64

Improving the print quality on page 66

If the machine is connected to a PC, depending on the error, a Popup application may appear on the PC.

Follow the instructions on the screen to resolve the error.

Error and maintenance messages

The most common error and maintenance messages are shown below.

If you need more help, the Brother Solutions Center offers the latest FAQs and troubleshooting tips:

Visit us at <http://solutions.brother.com/>.

Error Message	Cause	Action
Cartridge Error Put the Toner Cartridge back in.	The toner cartridge is not installed correctly.	Put the toner cartridge firmly into the drum unit, and then put it back in the machine.
	Verify you are using a genuine Brother toner cartridge.	Use only a genuine Brother Original drum unit and genuine Brother Original toner cartridge.
Comm. Error	Poor telephone line quality caused a communication error.	Try sending the fax again.
Cooling Down Wait for a while	The inside of the machine is extremely hot.	The machine will pause its current print job and go into Cooling Down mode. Wait until the machine is in Ready mode.
Disconnected	The other person or other person's fax machine stopped the call.	Try to send or receive again.
Document Jam	The document was not inserted or fed correctly, or the document scanned from the ADF was too long.	Pull the jammed paper out of the ADF unit. (MFC-1810, MFC-1811 and MFC-1815)
Drum End Soon Replace Drum	It is time to replace the drum unit. The drum unit counter was not reset when a new drum was installed.	Replace the drum unit or reset the drum unit counter when a new drum is installed. (See the instructions that are supplied with the new drum unit.)
Out of Memory	The machine's memory is full.	<p>Fax sending or copy operation in process</p> <p>Do one of the following:</p> <ul style="list-style-type: none"> ■ Press Start to send or copy the scanned pages. ■ Press Stop/Exit and wait until the other operations in progress finish, and then try again. <p>Print operation in process</p> <ul style="list-style-type: none"> ■ Press Stop/Exit. The machine will cancel the print job and clear it from the memory. ■ Lower the print quality. <p>(See Software User's Guide: <i>Printing</i> (for Windows®) or <i>Printing and Faxing</i> (for Macintosh))</p>

Error Message	Cause	Action
Self-Diagnostic	The temperature of the fuser unit does not rise to a specified temperature within the specified time.	Turn the machine off, wait a few seconds, and then turn it on again. Leave the machine idle for 15 minutes with the power on.
	The fuser unit is too hot.	
Toner Low	If the LCD shows <code>Toner Low</code> you can still print; however, the machine is telling you that the toner cartridge is near the end of its life.	Order a new toner cartridge now so a replacement toner cartridge will be available when the LCD shows <code>Replace Toner</code> or <code>Toner Ended</code> .

NOTE

Turning off the machine will erase the fax data in the memory. To prevent you from losing any important messages, see *Transferring your faxes or Fax Journal report (MFC-1810, MFC-1811 and MFC-1815)* on page 74.

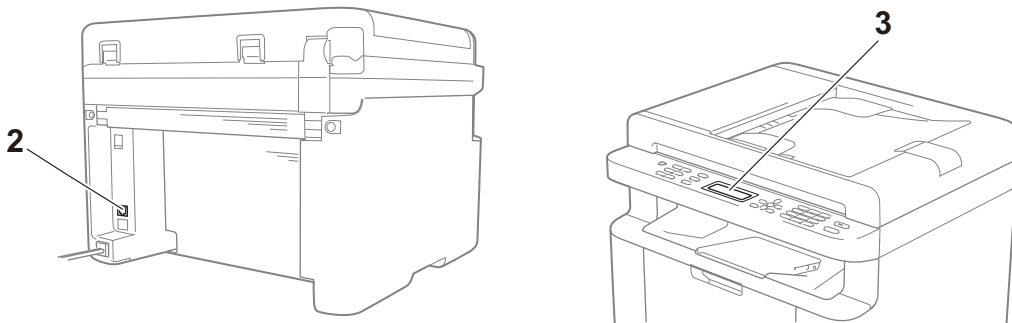
If you are having difficulty with your machine

Most problems can be easily resolved by yourself. If you need additional help, the Brother Solutions Center offers the latest FAQs and troubleshooting tips.

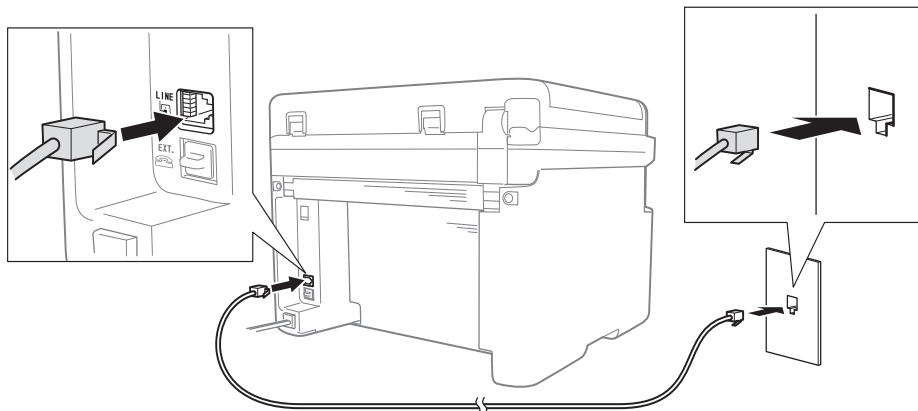
Visit us at <http://solutions.brother.com/>.

Telephone and Fax problems (MFC-1810, MFC-1811 and MFC-1815)

If you cannot send or receive a fax, check the following:



- 1 Check the machine's power cord is connected correctly and the machine is turned on.
- 2 Connect one end of the telephone line cord to the area labelled "LINE," and then connect the other end of the telephone line cord directly to a telephone wall socket.



If you can send and receive faxes when the telephone line is directly connected to the fax, the problem may be unrelated to the machine. Please contact your service provider for connection issues.

- 3 Check the receive mode.

For more information on setting the Receive mode, see *Receive modes* on page 37.

4 Change the compatibility setting to `Basic (for VoIP)`.

You may be able to send and receive faxes by lowering the connection speed.

- 1 Press **Menu, 2, 0, 1**.
- 2 Press **▲** or **▼** to choose `Basic (for VoIP)`.
- 3 Press **OK**.
- 4 Press **Stop/Exit**.

If, after trying all of the above the problem is still not resolved, turn the machine off, and then turn it on.



If you still cannot send or receive faxes after trying all of the above, check the FAQ on the Brother Solutions Center website (<http://solutions.brother.com/>).

Troubleshooting for other problems

Question	Answer
Cannot receive a fax.	If you have a dedicated fax line and want your Brother machine to automatically answer all incoming faxes, you should choose <code>Fax Only</code> .
Can I set the machine not to print the Transmission Verification report?	Even if the Transmission Verification report is set to <code>Off</code> , a report is printed when there is a communication error. If the <code>Journal Period</code> is set to <code>Off</code> , <code>Fax Journal</code> are not printed.
Can I cancel the fax job?	Press Stop/Exit to cancel the fax, or press Menu 2, 6 (for MFC-1811 only) or Menu 2, 7 (for MFC-1810 and MFC-1815 only) to cancel the remaining jobs.
Poor sending quality.	Try changing your resolution to <code>Fine</code> or <code>S.Fine</code> , or clean the scanner.
Sent faxes are blank.	Make sure you are loading the document correctly. The document should be face down when using the ADF or the scanner glass. See <i>Loading documents</i> on page 33.
Vertical black lines when sending.	Black vertical lines on faxes you send are typically caused by dirt or correction fluid on the glass strip. See <i>Clean the inside of the machine.</i> on page 67.

A

Improving the print quality

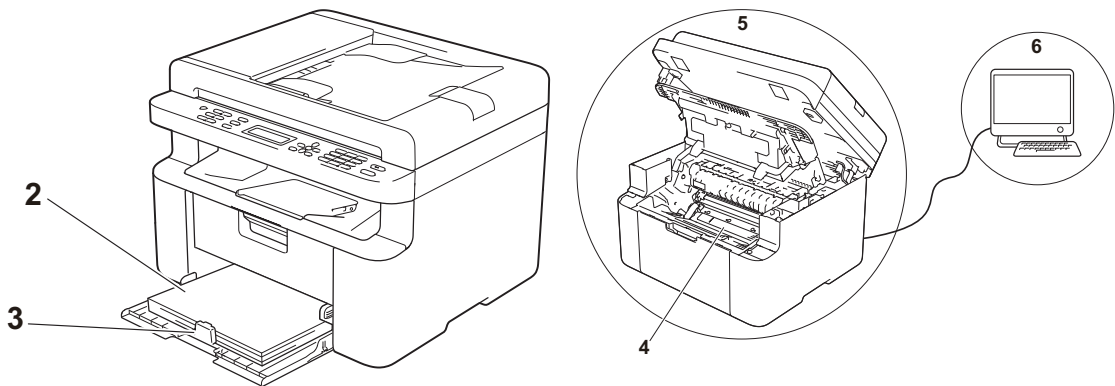
NOTE

Brother does not recommend the use of cartridges other than Brother Original cartridges or the refilling of used cartridges with toner from other sources.

If you are having problems with print results, check the following:

1 The machine's environment.

Choose a location where the temperature remains between 10 °C and 32.5 °C and the humidity is between 20% to 80% (without condensation).

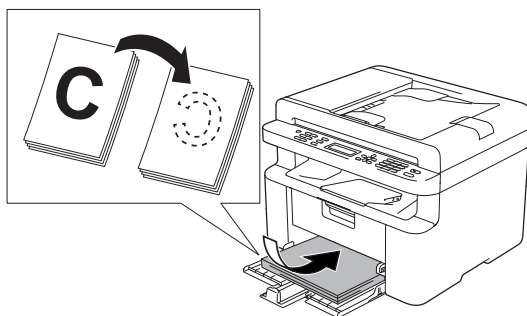


2 Acceptable paper is loaded in the paper tray.

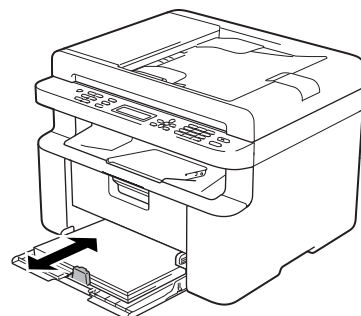
See *Acceptable paper* on page 32.

3 The paper is loaded correctly in the machine.

Turning the paper over may help paper loading become smoother.



Adjusting the guide may help paper loading become smoother.



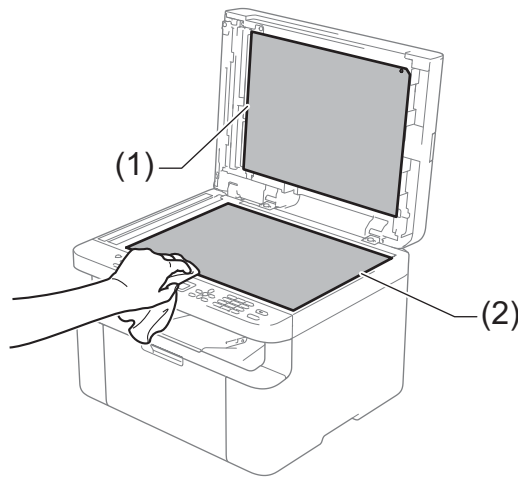
4 Replace a toner cartridge or a drum unit.

For more information on how to replace the consumable items, see the instructions included with the drum unit for replacing the drum unit or see the instructions listed on the box of the toner cartridge for replacing the toner cartridge.

5 Clean the inside of the machine.

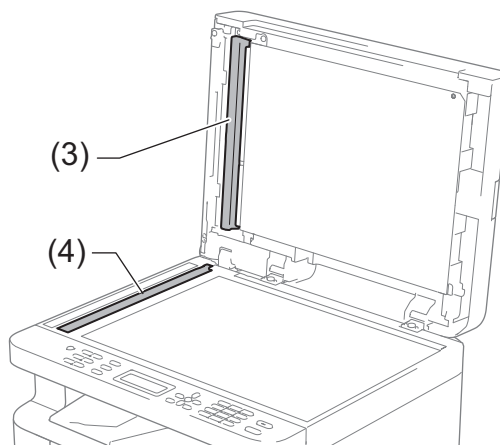
■ Cleaning the scanner glass

Clean the white plastic surface (1) and scanner glass (2).



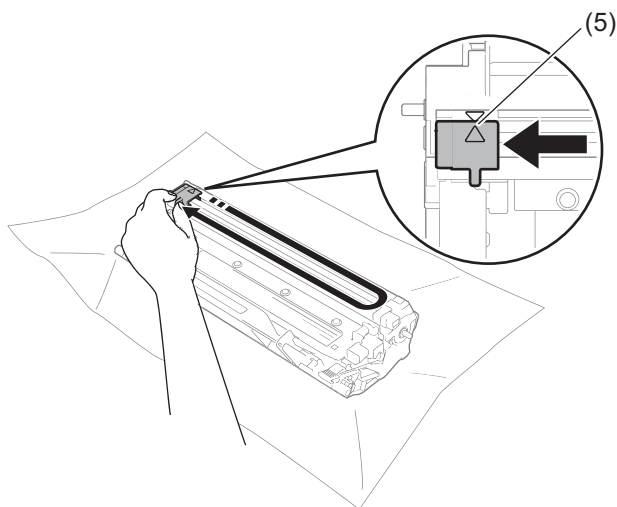
(MFC-1810, MFC-1811 and MFC-1815)

Clean the white bar (3) and the scanner glass strip (4).



- Cleaning the corona wire

Slide the green tab from left to right and right to left several times.

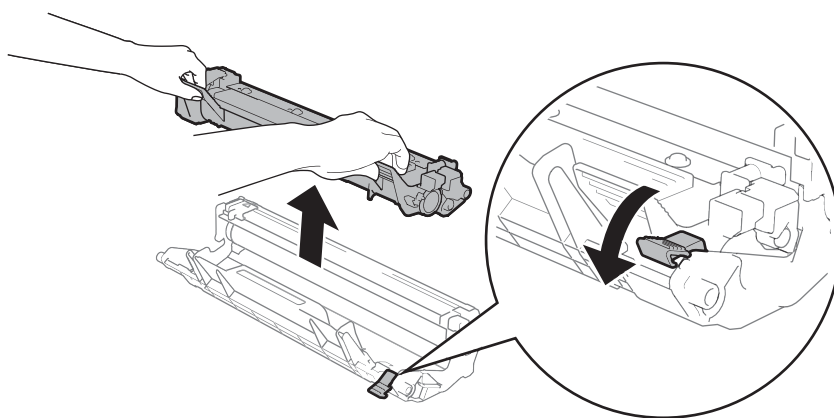


NOTE

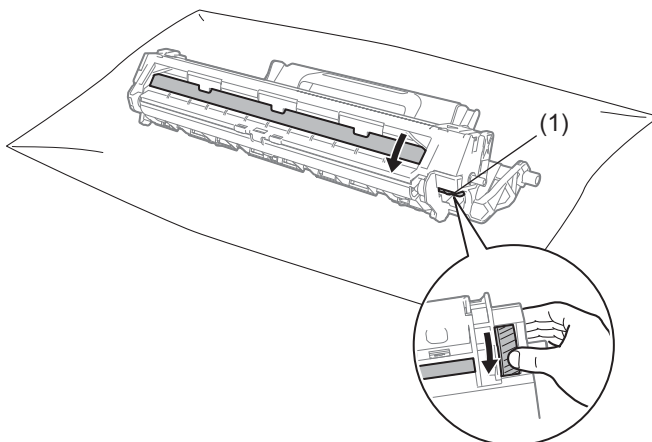
Be sure to return the tab to the home position (▲) (5). If you do not, printed pages may have a vertical stripe.

- Clean the drum unit if black or white dots appear on printed pages

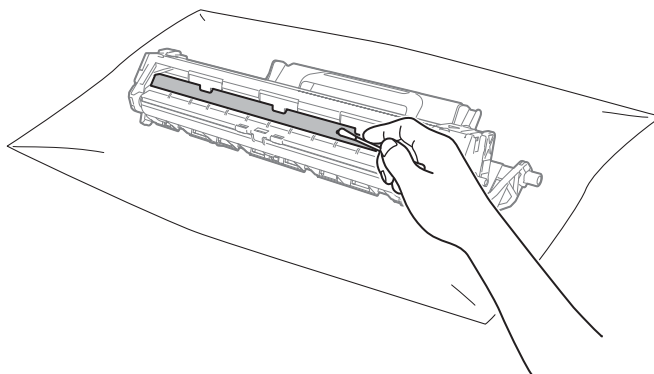
Push down the lock lever and take the toner cartridge out of the drum unit.



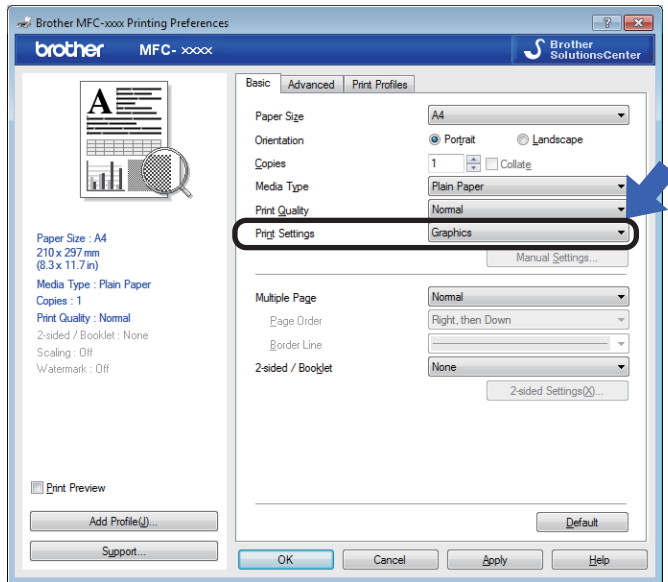
Turn the drum unit gear by hand while looking at the surface of the drum roller (1).



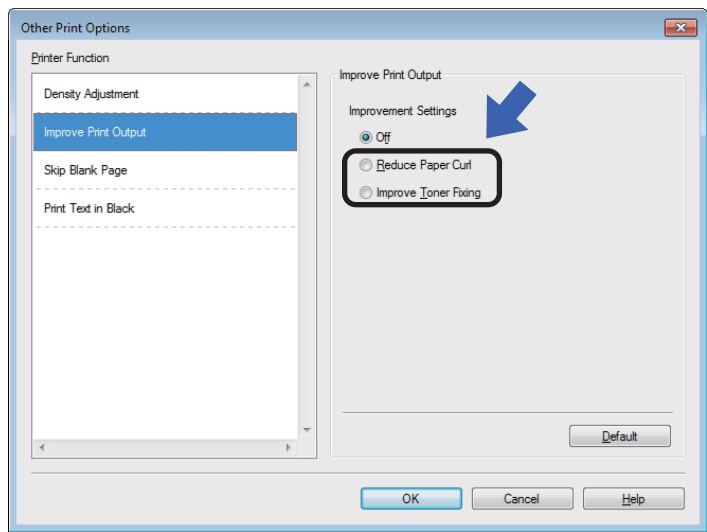
Wipe the surface of the drum gently with a dry cotton swab until the dust or glue on the surface comes off.



- 6 Check the printer driver settings.
Try changing the **Print Settings** in the **Basic** tab.



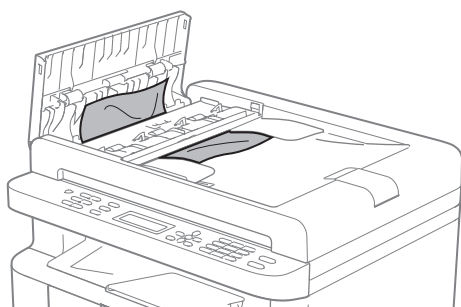
If the paper is curled or the toner is not fixed well on the paper, you can adjust these settings in **Improve Print Output**. Click **Other Print Options** in the **Advanced** tab.



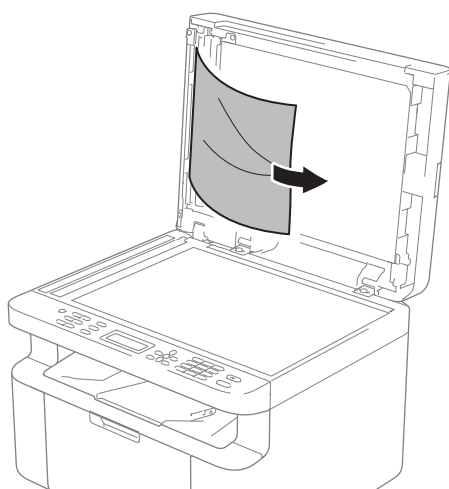
Document Jams (MFC-1810, MFC-1811 and MFC-1815)

Follow the steps below to handle a document jam in the ADF.

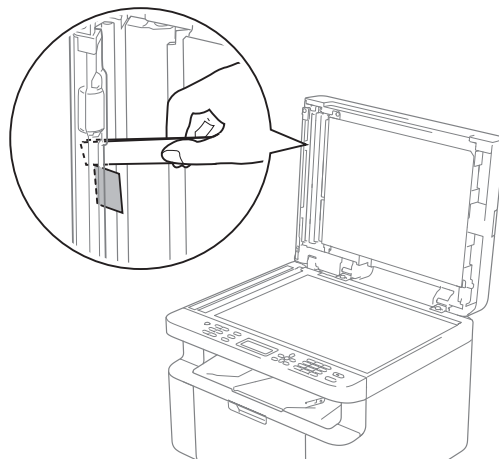
- 1 Open the ADF cover.
- 2 Pull the jammed document out.



- 3 Close the ADF cover.
- 4 Lift the document cover.
- 5 Pull the jammed document out to the right.



- 6 Insert a piece of stiff paper, such as cardstock, into the ADF to push any small paper scraps through.



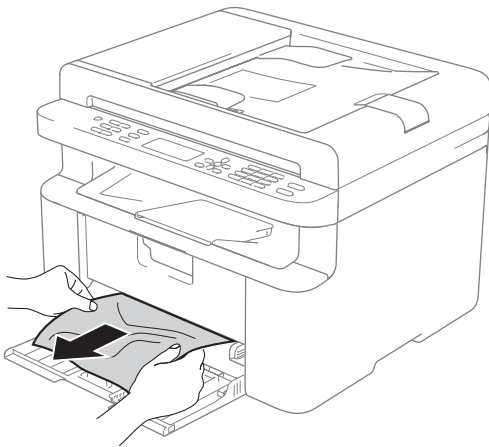
If the document rips or tears, be sure you remove all small paper scraps to prevent future jams.

- 7 Close the document cover.
- 8 Press **Stop/Exit**.

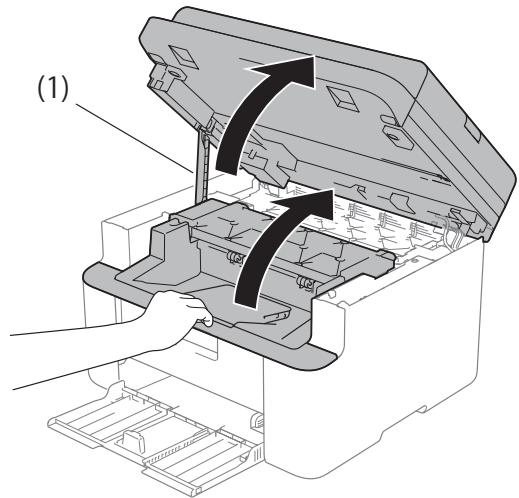
Paper Jams

Always remove all paper from the paper tray and straighten the stack when you add new paper. This helps prevent multiple sheets of paper from feeding through the machine at one time and prevents paper jams.

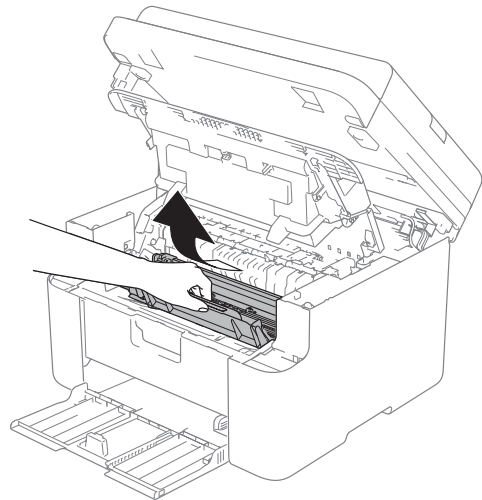
- 1 Turn the machine off.
- 2 Wait at least 15 minutes for the product to cool down before you touch the internal parts of the product.
- 3 Remove all paper loaded in the tray.
- 4 Use both hands to slowly pull out the jammed paper.



- 5 Open the scanner cover. The pull-arm (1) on the left side of the machine will lock. Open the top cover.

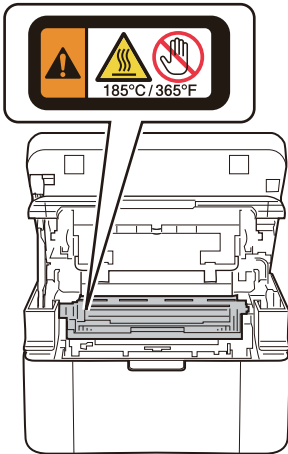


- 6 Slowly take out the drum unit and toner cartridge assembly.

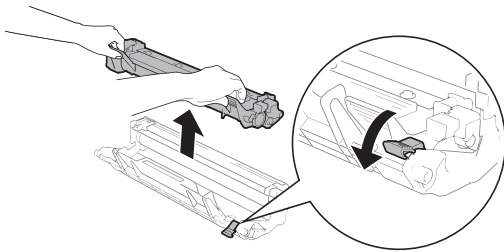


! WARNING

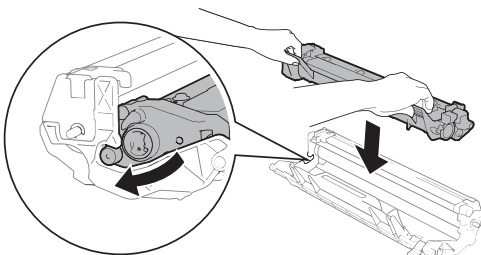
! HOT SURFACE



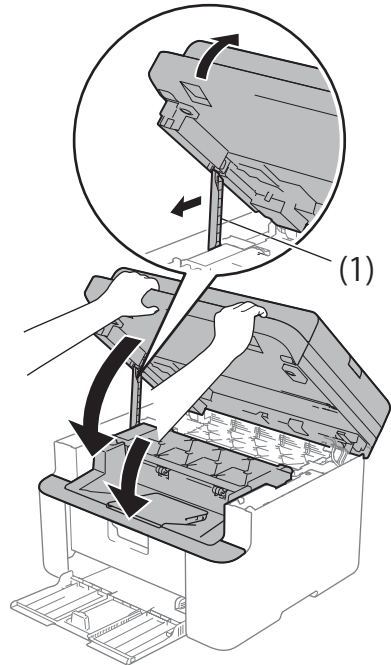
- 7** Push down the lock lever and take the toner cartridge out of the drum unit. Remove the jammed paper if there is any inside the drum unit.



- 8** Put the toner cartridge back into the drum unit until the lock lever lifts automatically.



- 9** Place the drum unit and toner cartridge assembly back in to the machine.
- 10** Close the top cover. After pulling the pull-arm (1) on the left side of the machine down, close the scanner cover using both hands.



- 11** Load the paper back in to the tray. Make sure that the paper is below the protruding section of the rear guide. Slide the paper guides to fit the paper size. Make sure that the guides are firmly in the slots.
- 12** Turn the machine on.

A

Transferring your faxes or Fax Journal report (MFC-1810, MFC-1811 and MFC-1815)

If the LCD shows:

- Print Unable XX
- Scan Unable XX

We recommend transferring your faxes to another fax machine or to your PC. (See *Transferring faxes to another fax machine* on page 74 or *Transferring faxes to your PC* on page 74.)

You can also transfer the Fax Journal report to see if there are any faxes you need to transfer. (See *Transferring the Fax Journal report to another fax machine* on page 75.)

NOTE

If there is an error message on the machine's LCD, after the faxes have been transferred, disconnect the machine from the power source for several minutes, and then reconnect it.

Transferring faxes to another fax machine

If you have not set up your Station ID, you cannot enter fax transfer mode. (See *Station ID (Menu, 0, 3)* on *0.Initial Setup*.)

- 1 Press **Menu, 9, 0, 1**.
- 2 Do one of the following:
 - If the LCD shows **No Data**, there are no faxes left in the machine's memory. Press **Stop/Exit**.
 - Enter the fax number to which faxes will be forwarded.
- 3 Press **Start**.

Transferring faxes to your PC

You can transfer the faxes from your machine's memory to your PC.

- 1 Make sure that you have installed **MFL-Pro Suite** and then turn on **PC-FAX Receiving** on the PC. (See Software User's Guide: *PC-FAX receiving*)

Do one of the following:

(Windows® XP, Windows Vista® and Windows® 7)

From the  (**Start**) menu, select

All Programs, Brother, MFC-XXXX, PC-FAX Receiving, and select **Receive**. (XXXX is your model name.) (Windows® 8)

Click  (**Brother Utilities**), and

then click the drop-down list and select your model name (if not already selected). Click **PC-FAX Receive** in the left navigation bar and then click **Receive**.

- 2 Make sure that you have set **PC Fax Receive** on the machine. (See *PC-FAX Receive (For Windows® only)* on page 42.) If faxes are in the machine's memory when you set up **PC-Fax Receive**, the LCD will ask if you want to transfer the faxes to your PC.
- 3 Do one of the following:
 - To transfer all faxes to your PC, press **1**. You will be asked if you want a backup print.
 - To exit and leave the faxes in the memory, press **2**.
- 4 Press **Stop/Exit**.

Transferring the Fax Journal report to another fax machine

If you have not set up your Station ID, you cannot enter fax transfer mode. (See *Station ID (Menu, 0, 3)* on *0.Initial Setup.*)

- 1 Press **Menu, 9, 0, 2.**
- 2 Enter the fax number to which the Fax Journal report will be forwarded.
- 3 Press **Start.**

Cleaning and Checking the machine

Make sure to read the guidelines in the *Product Safety Guide* before cleaning the machine.

Clean the outside and inside of the machine regularly with a dry, lint-free cloth. When you replace the toner cartridge or the drum unit, make sure that you clean the inside of the machine. If printed pages are stained with toner, clean the inside of the machine with a dry, lint-free cloth.

WARNING



DO NOT use flammable substances, any type of spray, or an organic solvent/liquid containing alcohol or ammonia to clean the inside or outside of the product. Doing so could cause a fire or electrical shock. Instead, use only a dry, lint-free cloth.

(See *Product Safety Guide: General precautions*)



B

Specifications

General

Model	DCP-1510	DCP-1511	MFC-1810	MFC-1811	MFC-1815
Printer Type	Laser				
Print Method	Electrophotographic Laser Printer				
Power Source	220 - 240 V AC 50/60 Hz				
Power Consumption ¹ (Average)	Peak	Approx. 1,080 W at 25 °C			
	Printing	Approx. 380 W at 25 °C			
	Copying	Approx. 380 W at 25 °C			
	Ready	Approx. 40 W at 25 °C			
	Deep Sleep	Approx. 0.8 W	Approx. 1.3 W		
	Power Off ^{2 3}	Approx. 0.28 W			
Dimensions	DCP-1510 and DCP-1511				
Dimensions	MFC-1810, MFC-1811 and MFC-1815				
¹ For MFC-1815, the width is 456 mm.					
Weights (with consumables)	7.0 kg		8.0 kg		8.3 kg

Model			DCP-1510	DCP-1511	MFC-1810	MFC-1811	MFC-1815
Noise Level	Sound Pressure	Printing	LPAM = 51 dB (A)				
	Sound Power	Printing	LWad = 6.50 B (A)				
Temperature		Operating	10 to 32.5 °C				
		Storage	0 to 40 °C				
Humidity		Operating	20 to 80% (without condensation)				
		Storage	10 to 90% (without condensation)				
Interface	USB		Hi-Speed USB 2.0 ^{4 5} It is recommended you use a USB 2.0 cable (Type A/B) that is no more than 2 metres long.				
Support OS	Windows®		Windows® XP Home Edition, Windows® XP Professional, Windows® XP professional x64 Edition, Windows Vista®, Windows® 7, Windows® 8				
	Mac OS		Mac OS X v10.6.8, 10.7.x, 10.8.x				
Consumables	Toner Cartridge (Inbox)		(For DCP-1510, MFC-1810 and MFC-1815 for Asia) Approx. 1,000 pages A4 or Letter page ⁶ (For DCP-1510 and MFC-1810 for Oceania) Approx. 700 pages A4 or Letter page ⁶ (For DCP-1511 and MFC-1811 for India) Approx. 1,500 pages A4 or Letter page ⁶				
	Toner Cartridge (Standard)		(For Asia and Oceania) Approx. 1,000 pages A4 or Letter page ⁶ (For India) Approx. 1,500 pages A4 or Letter page ⁶				
	Model Name		(For Asia) TN-1000 (For Oceania) TN-1070 (For India) TN-1020				
	Drum Unit		Approx. 10,000 pages A4 or Letter pages (1 page / job) ⁷				
	Model Name		(For Asia) DR-1000 (For Oceania) DR-1070 (For India) DR-1020				

¹ Measured when the machine is connected to the USB interface.

² Power consumption varies slightly depending on the usage environment or part wear.

³ Measured according to IEC 62301 Edition 2.0.

⁴ Your machine has a Hi-Speed USB 2.0 interface. The machine can also be connected to a computer that has a USB 1.1 interface.

⁵ Third-party USB ports are not supported.

⁶ Approx. cartridge yield is declared in accordance with ISO/IEC 19752.

⁷ Drum life is approximate and may vary by type of use.

Document Size

Model		DCP-1510	DCP-1511	MFC-1810	MFC-1811	MFC-1815
ADF(automatic document feeder)		—		Up to 10 pages		
Scanner Glass		One sheet per time				
Document Size	ADF	—		A4, Letter, Legal, Folio		
	Scanner Glass	Length: Up to 300.0 mm Width: Up to 215.9 mm				
Weight	ADF	—		65 to 90 gsm		
	Scanner Glass	Up to 2.0 kg				

Print media

Model			DCP-1510	DCP-1511	MFC-1810	MFC-1811	MFC-1815
Paper Input	Paper Tray	Paper Type	Plain Paper, Recycled Paper				
		Paper Size	A4, Letter, Legal, Folio				
		Paper Weight	65 to 105 gsm				
		Maximum Paper Capacity	Up to 150 sheets of 80 gsm Plain paper				
Paper Output	Face-Down Output Tray	Up to 50 sheets of 80 gsm Plain Paper (face-down delivery to the face-down output paper tray)					

Fax

Model		DCP-1510	DCP-1511	MFC-1810	MFC-1811	MFC-1815
Modem Speed		—		14,400 bps (with Automatic Fallback)		
Scanning Width		—		Max. 208 mm		
Printing Width		—		Max. 208 mm		
Greyscale		—		8 bit/256 levels		
Resolution	Horizontal	—		8 dot/mm		
	Vertical	—		Standard: 3.85 line/mm		
		—		Fine: 7.7 line/mm		
		—		Photo: 7.7 line/mm		
—		—		Superfine: 15.4 line/mm		
Speed Dial		—		99 stations		
Automatic Redial		—		3 times at 5 minute intervals		
Memory Transmission		—		Up to 400 ¹ pages		
Out of Paper Reception		—		Up to 400 ¹ pages		

¹ 'Pages' refers to the 'ITU-T Test Chart #1' (a typical business letter, Standard resolution, MMR code). Specifications and printed materials are subject to change without prior notice.

Copy

Model	DCP-1510	DCP-1511	MFC-1810	MFC-1811	MFC-1815
Copy Width	Max. 210 mm				
Multiple Copies	Stacks or Sorts up to 99 pages				
Reduce/Enlarge	25% to 400% (in increments of 1%)				
Resolution	Up to 600 × 600 dpi				
First Copy Out Time ¹	Less than 16 seconds at 23 °C / 230 V				

¹ From Ready mode and standard tray

Scanner

Model	DCP-1510	DCP-1511	MFC-1810	MFC-1811	MFC-1815
Colour	Yes				
TWAIN Compliant	Yes (Windows® XP/ Windows Vista® / Windows® 7 / Windows® 8 / Mac OS X v10.6.8, 10.7.x, 10.8.x ¹)				
WIA Compliant	Yes (Windows® XP / Windows Vista® / Windows® 7 / Windows® 8)				
ICA Compliant	Yes (Mac OS X v10.6.8, 10.7.x, 10.8.x)				
Colour Depth	Colour	24 bit colour processing (Input) 24 bit colour processing (Output)			
	Greyscale	8 bit colour processing (Input) 8 bit colour processing (Output)			
Resolution	Up to 19200 × 19200 dpi (interpolated) ²				
	Up to 600 × 1200 dpi (optical) ² (from Scanner Glass)				
	—	Up to 600 × 600 dpi (optical) ² (from ADF)			
Scanning Width	Max. 210 mm				

¹ For the latest driver updates for the version of Mac OS X you are using, visit us at <http://solutions.brother.com/>.

² Maximum 1200 × 1200 dpi scanning with the WIA driver in Windows® XP, Windows Vista®, Windows® 7 and Windows® 8 (resolution up to 19200 × 19200 dpi can be chosen by using the scanner utility)

Printer

Model	DCP-1510	DCP-1511	MFC-1810	MFC-1811	MFC-1815
Resolution	Up to 2400 × 600 dpi (HQ1200 technology)				
Print Speed ¹	Up to 20 pages/minute (A4 size) Up to 21 pages/minute (LTR size)				
First Print Out Time ²	Less than 10 seconds at 23 °C / 230 V				

¹ The print speed may vary depending on the type of document you print.

² From Ready mode and standard tray

C

Index

A	
Address Book	5
ADF (automatic document feeder) using	33
Answering machine (TAD) connecting	47
Apple Macintosh See Software User's Guide.	
Auto Power Off	29
Automatic fax receive Fax Detect	38
B	
Broadcasting	36
cancelling	36
Brother Numbers	i
C	
Cancelling broadcast in process	36
Cleaning corona wire	68
drum unit	68
scanner	67
Connecting external TAD (answering machine)	46
external telephone	48
Consumable items	59
Control panel overview	4
ControlCenter2 (for Macintosh) See Software User's Guide.	
ControlCenter4 (for Windows®) See Software User's Guide.	
Copy Copy Options key	6
Options key	4
Cordless telephone (non-Brother)	48
D	
Deep Sleep mode	29
Dialling manual	40
Speed Dial	40
using the Search key	40
Dimensions	76
Document how to load	33
jam	71
Drum unit	59
cleaning	68
E	
Error messages on LCD	62
External telephone, connecting	48
F	
FAX (PC-FAX) Macintosh See Software User's Guide.	
Windows® receiving	42
sending	44
Fax, stand-alone receiving Continue Mode	30
easy receive	38
ring delay, setting	38
sending	35
broadcasting	36
Fax/Tel mode F/T ring time (double-ring)	38
fax detect	38
receiving faxes	48
ring delay	38
H	
Help LCD messages for DCP models	22
LCD messages for MFC models	7
Menu Table for DCP models	23
Menu Table for MFC models	8
Hook key	48
L	
LCD (liquid crystal display)	4, 6, 7, 22

M

Macintosh	
See Software User's Guide.	
Maintenance, routine	75
Manual	
dialling	40
Menu Table	
DCP models	23
MFC models	8
Mode, entering	
fax	35
Multi-line connections (PABX)	47

P

Paper	32
jam	72
size	31
tray capacity	32
PC-Fax	42
See Software User's Guide.	
Print	
quality	66
resolution	83
specifications	83
Printing	
See Software User's Guide.	
Programming your machine	7, 22

Q

Quality	
printing	66
Quick dial	
broadcasting	36
Speed Dial	
changing	39
setting up	39
using	40

R

Register your product	i
Remote setup	
See Software User's Guide.	
Resolution	
copy	81
fax	80

print	83
scan	82
Ring delay, setting	38

S

Scan a document to a computer	54
Scanner glass	
using	33
Scanning	54
See Software User's Guide.	
Sockets	
EXT	
external telephone	48
TAD (answering machine)	46
Specifications	76
copy	81
document size	78
fax	80
general	76
print	83
print media	79
scan	82
Speed Dial	
changing	39
setting up	39
using	40

T

TAD (telephone answering device), external	
connecting	46, 47
recording OGM	47
Telephone line	
connections	47
multi-line (PABX)	47
Text, entering	28
Toner Setting (Continue Mode)	29
Troubleshooting	64
document jam	71
error and maintenance messages	
on LCD	62
paper jam	72
print quality	66
Telephone and Fax	64
other problems	65

U

Utilities	i
-----------	---

W

Weights76

Windows®

See Software User's Guide.

For Australia Only:

Support – For technical support of your Brother Product other than what you can resolve through the User's Guide, please visit our website or Solutions website (see below) to find an answer to FAQs/Troubleshooting, locating Drivers & Software.

Alternatively, please contact the Product Support Centre for any customer care/technical support enquiry.

To contact Brother International (Aust) Pty Ltd for support on a Brother product please see the details listed below:

Product Support Centre: **Australia**

Brother International (Aust) Pty Ltd

Phone: 02 8875 6000

Fax: 02 9870 7223

Solutions Site: <http://solutions.brother.com/>

website: www.brother.com.au

Email: To submit an e-mail enquiry, visit www.brother.com.au go to **Service and Support** area and follow the prompts.

Our Technical Support Consultants are available 5 days a week by phone during the hours of 8.30am to 5.00pm (EST/EDST) Monday to Friday.

For New Zealand Only:

For technical support for your Brother Product please refer to this user guide and the FAQ's available on our Brother Solutions website, <http://solutions.brother.com/>.

Drivers, software, user guides and technical references are all available on our Brother Solutions website.

If you require further assistance please contact Brother International (NZ) Limited on the following numbers

Initial setup and 14 day product support	0800 454 677
Technical Support for those using Genuine Brother Consumables	0800 329 111
Technical Support for those <u>not</u> using Genuine Consumables	0900 552 152
24 / 7 Automated Self Help	0800 652 152
Brother Recycle Assistance	0800 632 467
Fax Assistance	0800 837 822

Our Technical Support Consultants are available 7 days a week by phone during the hours of 8.30am to 5pm Monday to Friday and 9am to 5pm Saturday and Sunday.

Email Assistance

Please visit www.brother.co.nz and submit a helpdesk enquiry from our Service and Support page.

Web Assistance

Please visit www.brother.co.nz under Service and Support for Frequently Asked Questions, Driver downloads, Warranty information and Service Centres.

brother®

Visit us on the World Wide Web
<http://www.brother.com/>

These machines are approved for use in the country of purchase only. Local Brother companies or their dealers will only support machines purchased in their own countries.



www.brotherearth.com