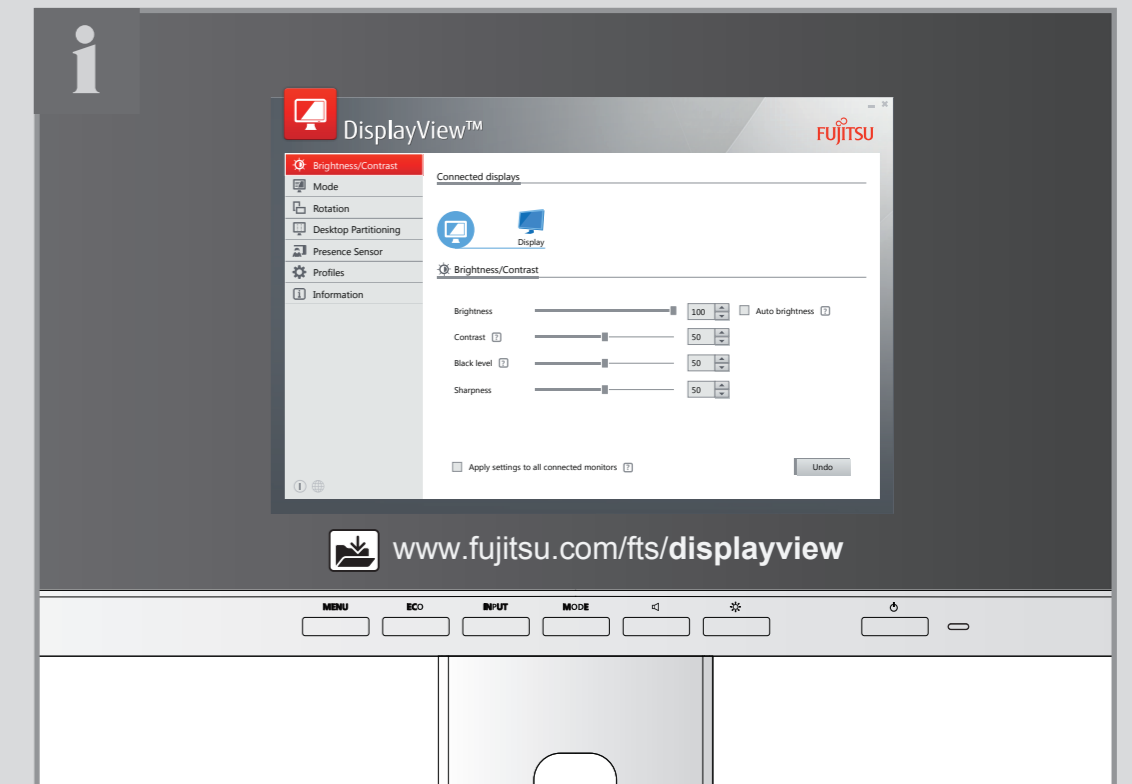
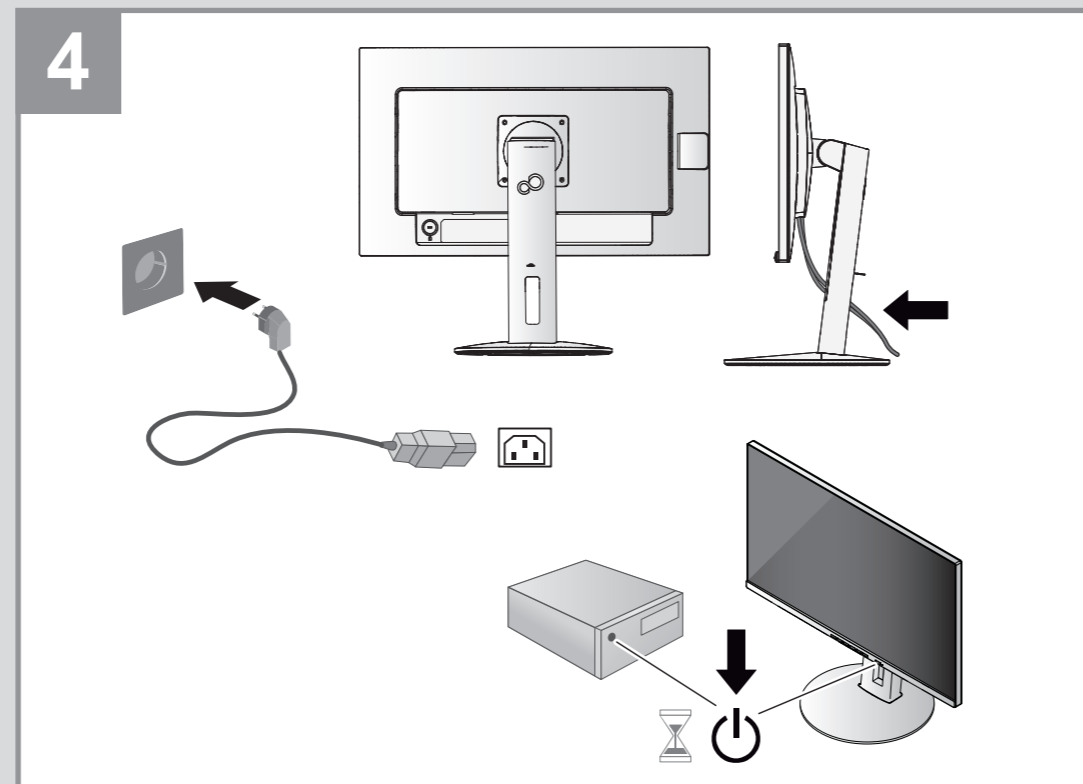
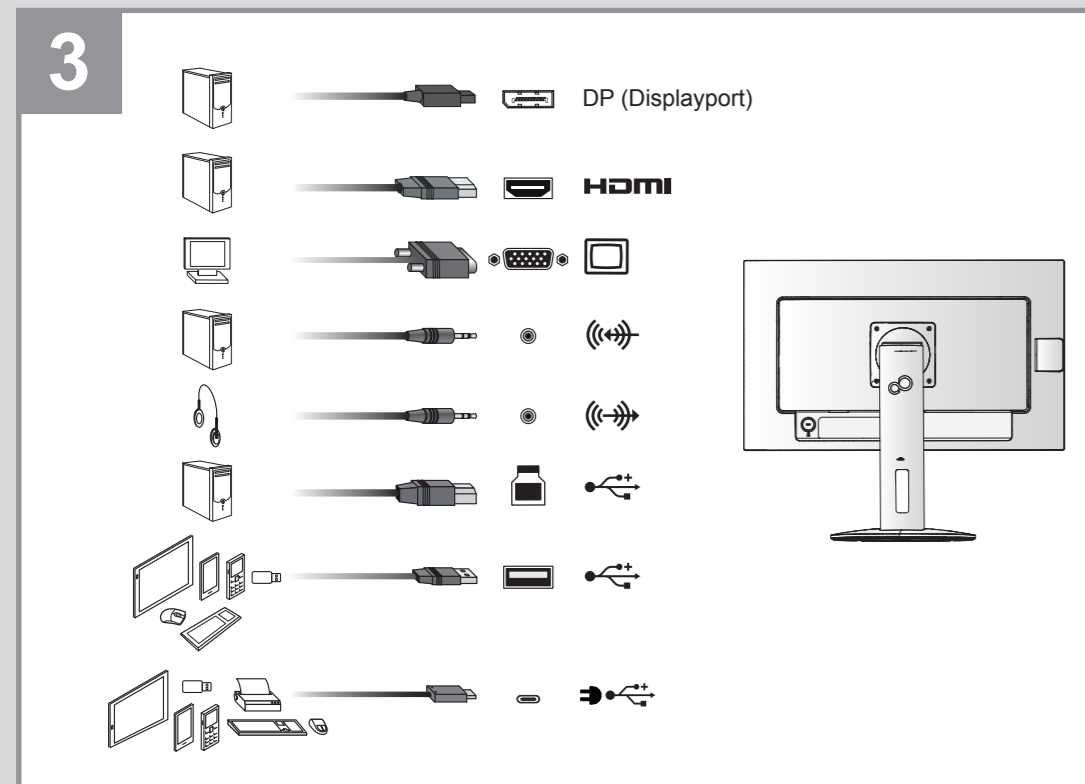
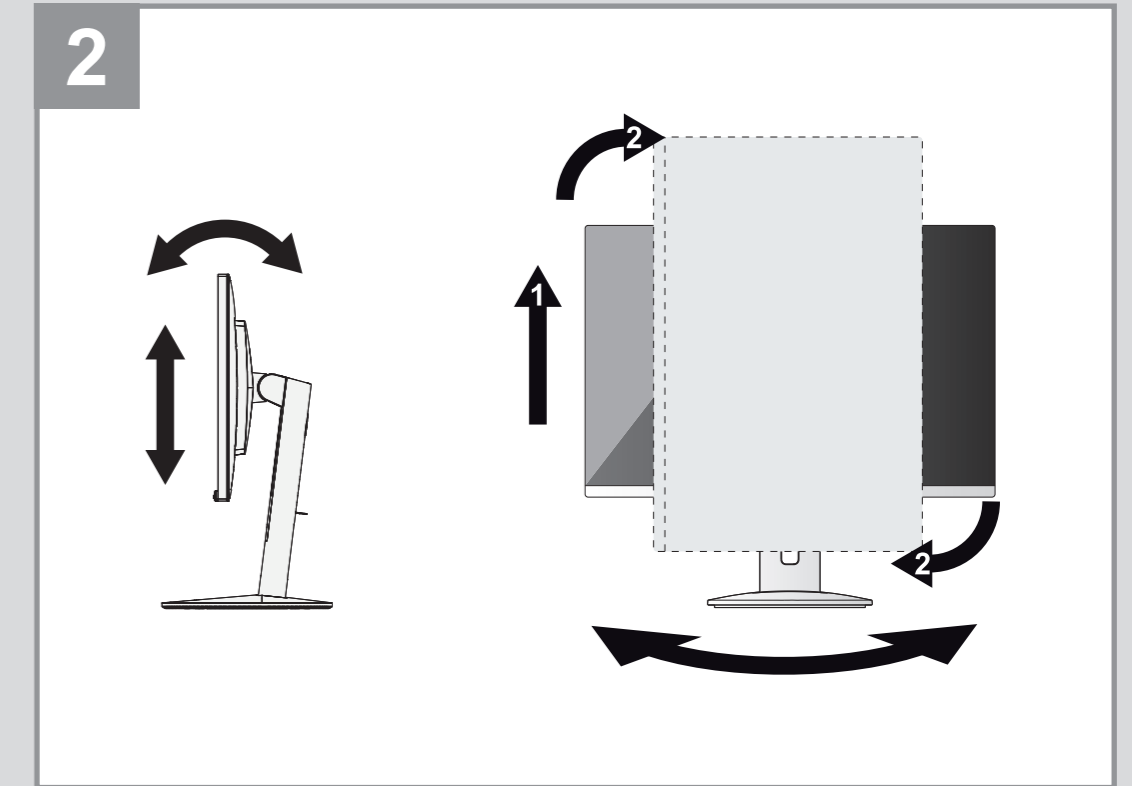
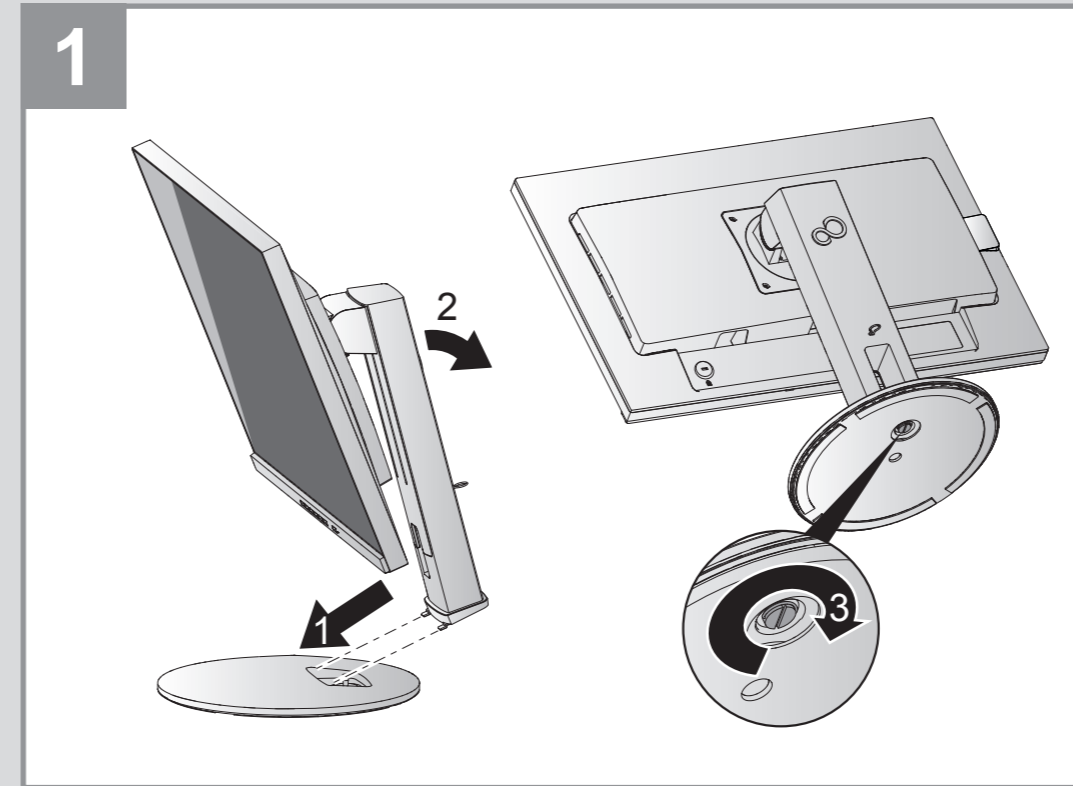
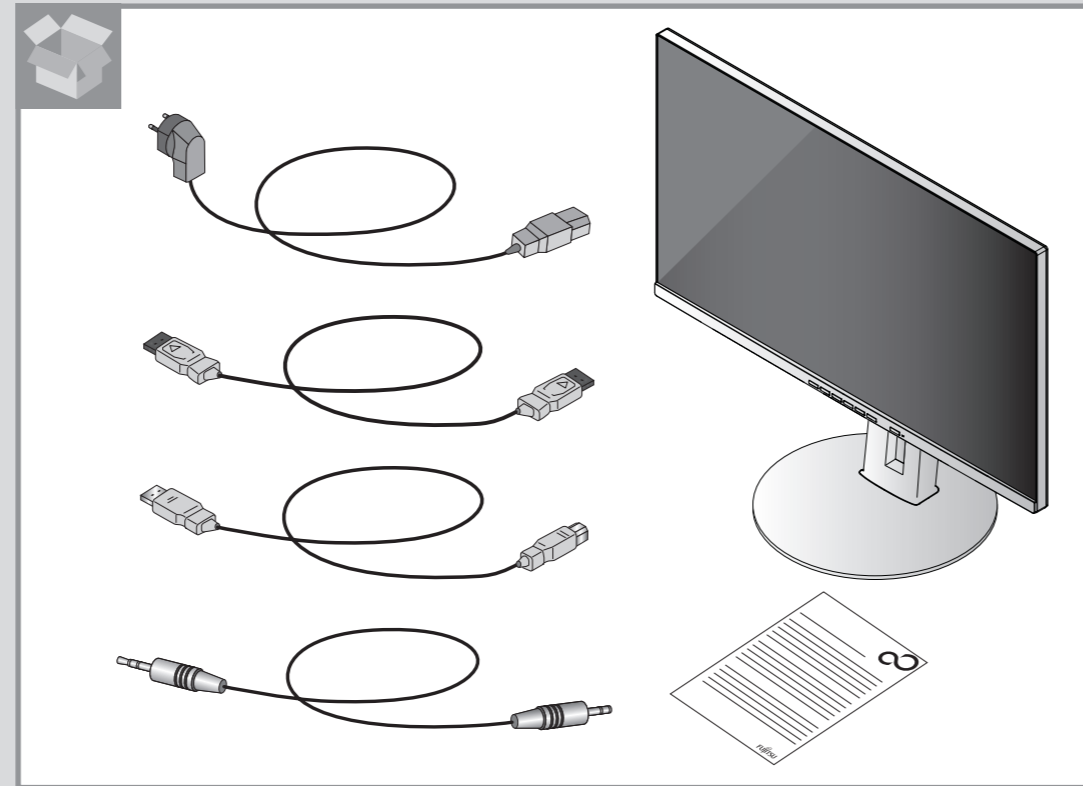
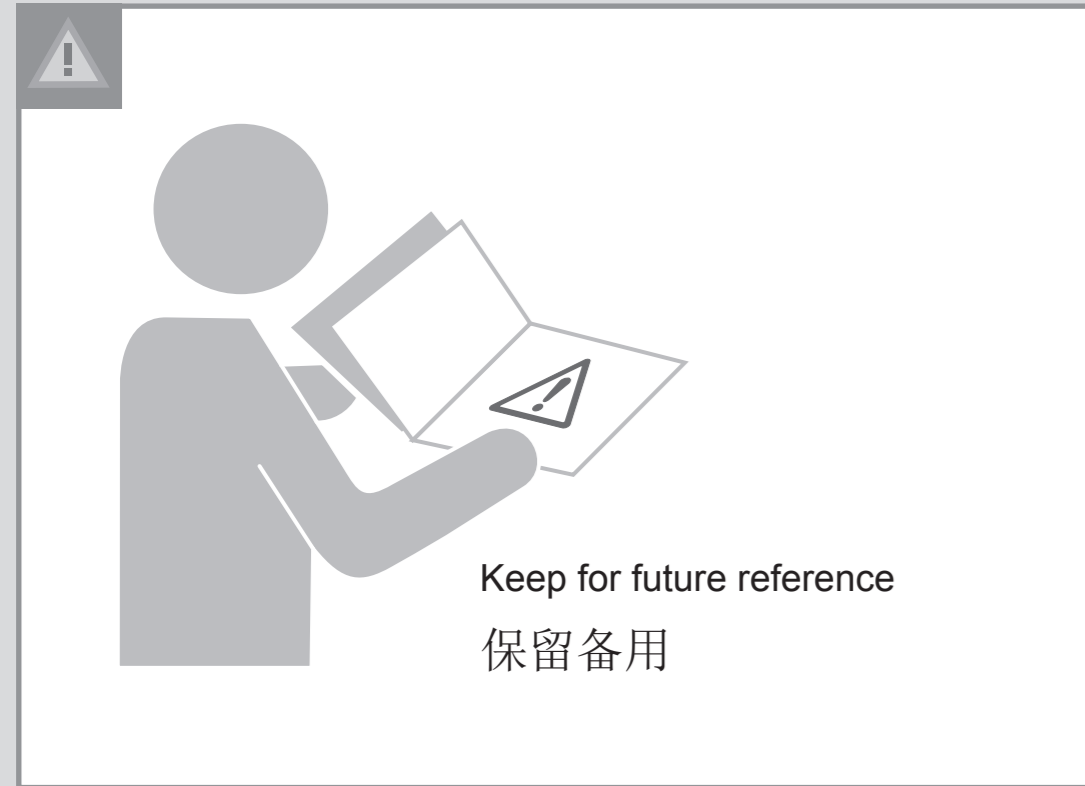


Quick Start Guide



Published by
Fujitsu Technology Solutions GmbH
Mies-van-der-Rohe-Straße 8
80807 München, Germany

Creation
Xerox Global Services

Copyright
© 10/2019 Fujitsu Technology Solutions GmbH
Order No.: A26361-K1692-Z310-1-7619, Edition 1



A26361-K1692-Z310-1-7619

Self Declaration of Conformity - SDOC

This device complies with Part 15 of the FCC Rules. Operation is subject to the following two conditions:

- (1) this device may not cause harmful interference, and
- (2) this device must accept any interference received, including interference that may cause undesired operation.

Name of Responsible Party: Fujitsu America, Inc., 1250 E. Arques Avenue, Sunnyvale, CA 94085, U.S.A., Phone No.: (408) 746-6000

We, Fujitsu America, Inc., hereby declare that this product was tested conforming to the applicable FCC rules under the most accurate measurement standards possible, and that all the necessary steps have been taken and are in force to assure that production units of the same equipment will continue to comply with the Commissions requirements.



i

- www.fujitsu.com/fts/support/manuals
- www.fujitsu.com/fts/support/warranty
- www.fujitsu.com/fts/contact/servicedesk
- www.fujitsu.com/fts/download
- www.fujitsu.com/fts/recycling