

FPMA-C400BLACK

NEOMOUNTS MONITOR CEILING MOUNT

SPECIFICATIONS

GENERAL

Min. screen size*	32 inch
Max. screen size*	60 inch
Min. weight	0 kg (per screen)
Max. weight	35 kg (per screen)
Screens	1
VESA minimum	200x200 mm
VESA maximum	600x400 mm

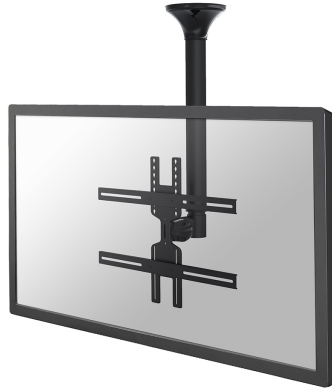
FUNCTIONALITY

Type	Full motion Tilt Swivel
Height adjustment	64-104 cm
Depth adjustment	8 cm
Tilt (degrees)	25°
Swivel (degrees)	60°
Adjustment type	Manual

INFORMATION

Color	Black
Main material	Steel
Warranty	5 year
EAN code	8717371444242

*Please note: The inch sizes stated are just an indication, combined with the weight and VESA sizes. The maximum weight and VESA size are absolute restrictions for the products and should not be exceeded.



Neomounts TV/Monitor Ceiling Mount for 32"-60" Screen, Height Adjustable - Black

The Neomounts ceiling mount, model FPMA-C400BLACK is a tilt- and swivel ceiling mount for flat screens up to 60". This mount is a great choice for space saving placement or when wall mounting and floor placement is not an option.

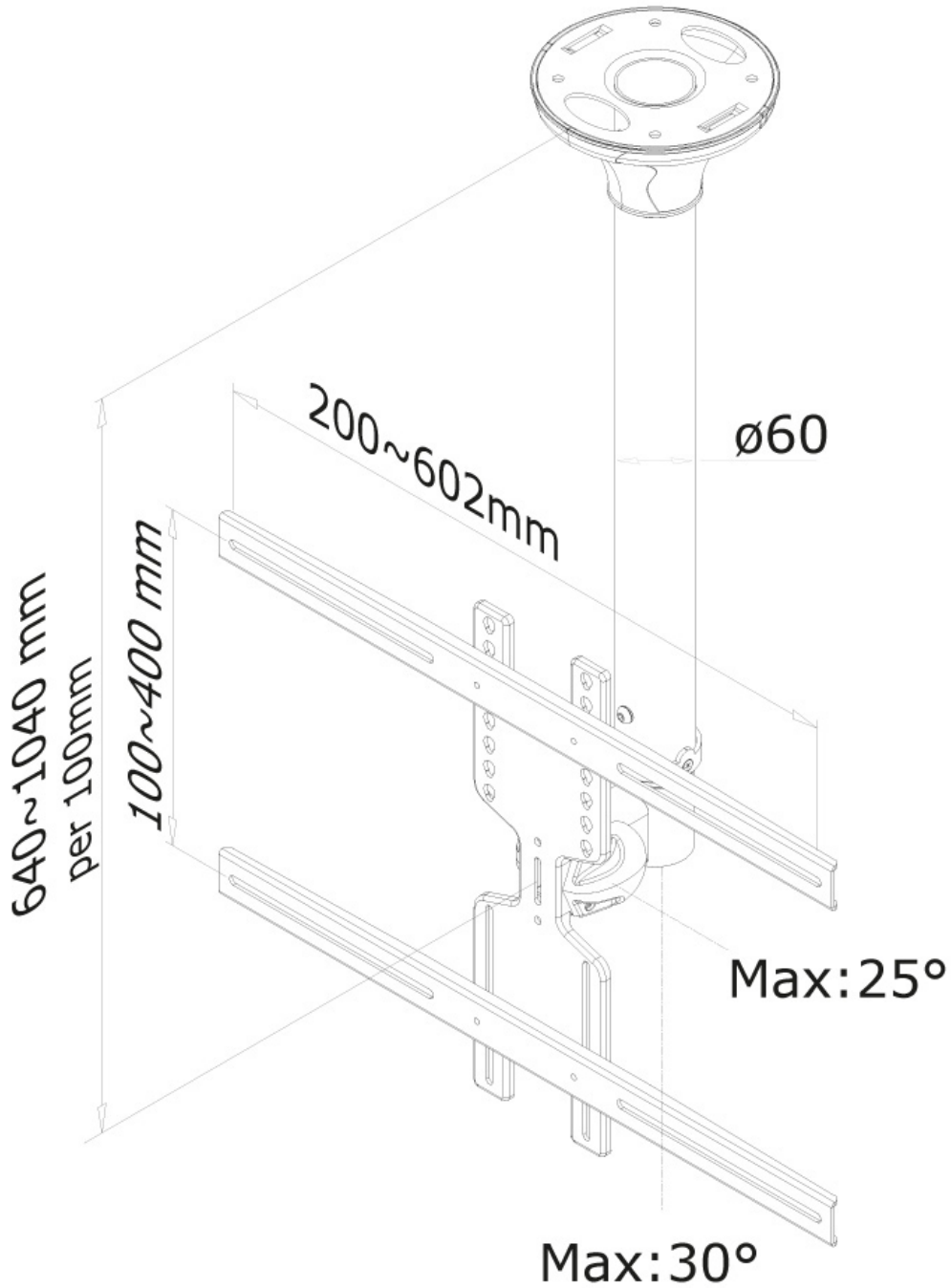
Neomounts versatile tilt (25°) and swivel (60°) technology allows the mount to change to any viewing angle to fully benefit from the capabilities of the flat screen. The support is easily height adjustable from 64 to 104 centimetres. An innovative cable management conceals and routes cables from ceiling to TV. Hide your cables in the column to keep it nice and tidy.

Neomounts FPMA-C400BLACK has two pivot points and is suitable for screens up to 60" (152 cm). The weight capacity of this product is 35 kg. The ceiling mount is suitable for screens that meet VESA hole pattern 200x200 to 600x400mm.

All installation material is included with the product.

FPMA-C400BLACK

NEOMOUNTS MONITOR CEILING MOUNT



Neomounts

Measuring unit: mm