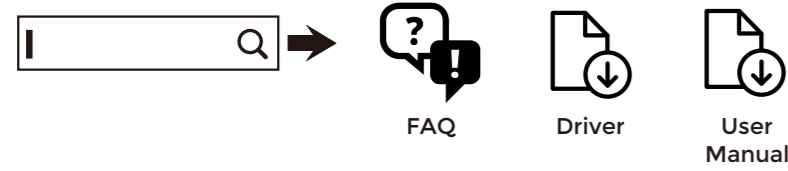


Find your product and get support



 Europe https://aoc.com/uk/support	 Россия https://aoc.com/ru/support
 Australia https://au.aoc.com/user_manual	
 中國台灣 https://tw.aoc.com/user_manual	 Indonesia https://id.aoc.com/user_manual
 日本 https://jp.aoc.com/user_manual	 한국 https://kr.aoc.com/user_manual
 Malaysia https://my.aoc.com/user_manual	 Myanmar https://mm.aoc.com/user_manual
 New Zealand https://nz.aoc.com/user_manual	 Philippines https://ph.aoc.com/user_manual

 Singapore https://sg.aoc.com/user_manual	 ประเทศไทย https://th.aoc.com/user_manual
 Việt Nam https://vn.aoc.com/user_manual	 Middle East https://me.aoc.com/user_manual
 South Africa https://za.aoc.com/user_manual	 Brasil https://aoc.portaltv.com.br/
 India https://aoc.com/in-en/support	 US https://aoc.com/us/support
 Canada https://aoc.com/ca-en/support	



Quick Start Guide

27G2ZN3/BK

www.aoc.com
©2024 AOC. All Rights Reserved



Monitor

Stand

Base

Quick Start Guide

Warranty Card

Power Cable

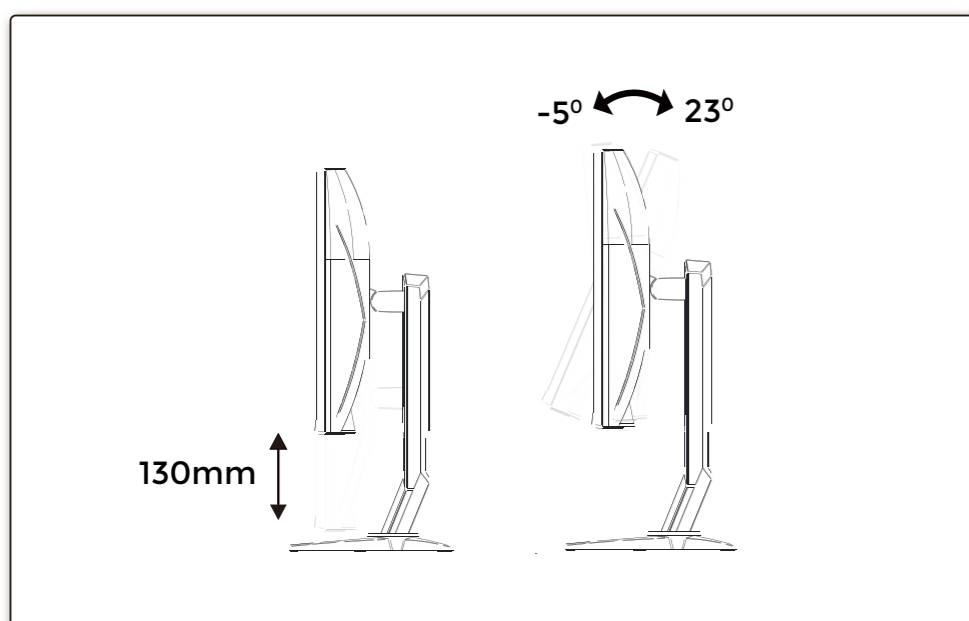
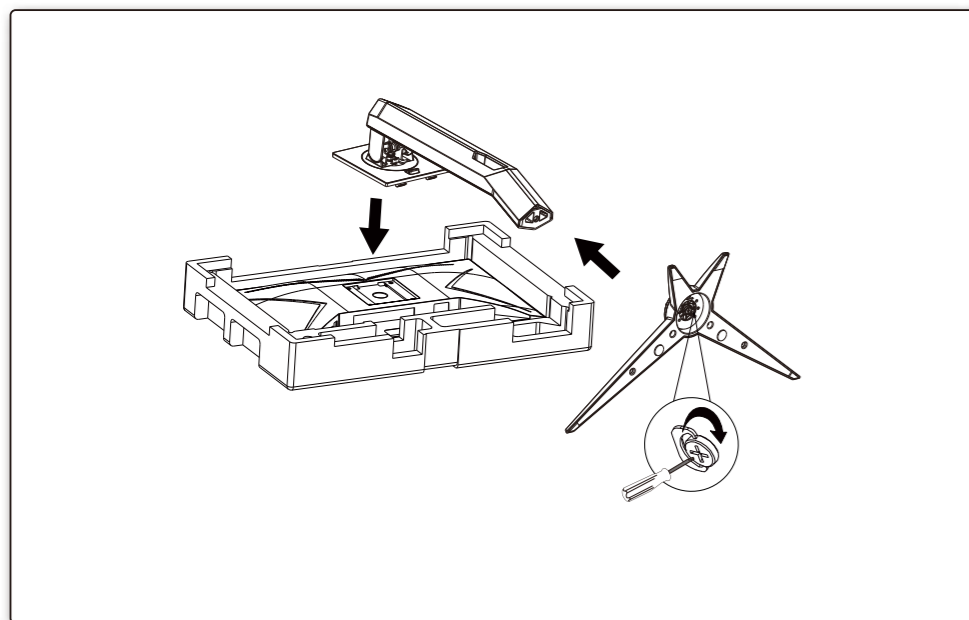
HDMI Cable

DP Cable

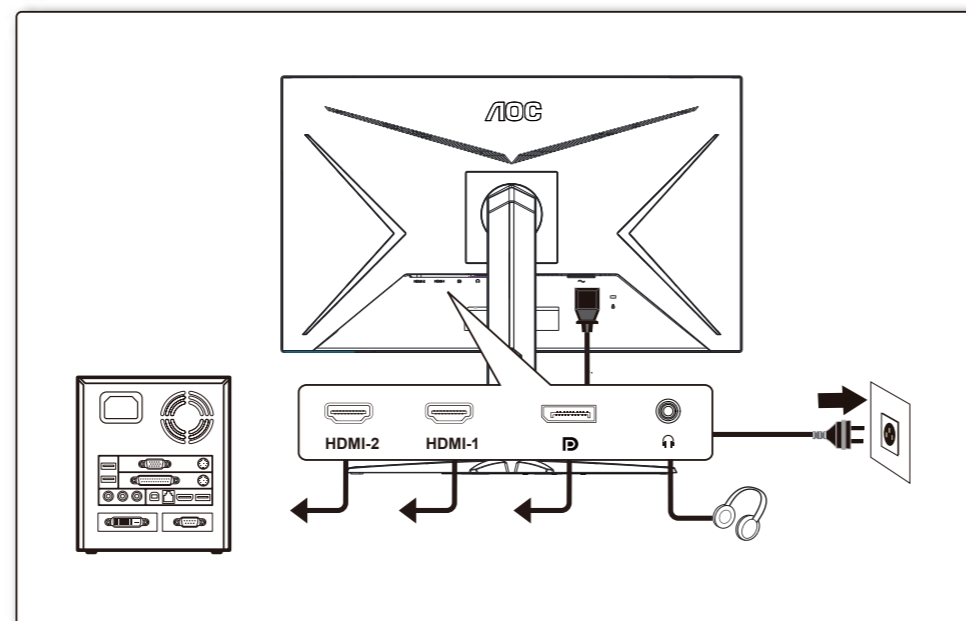
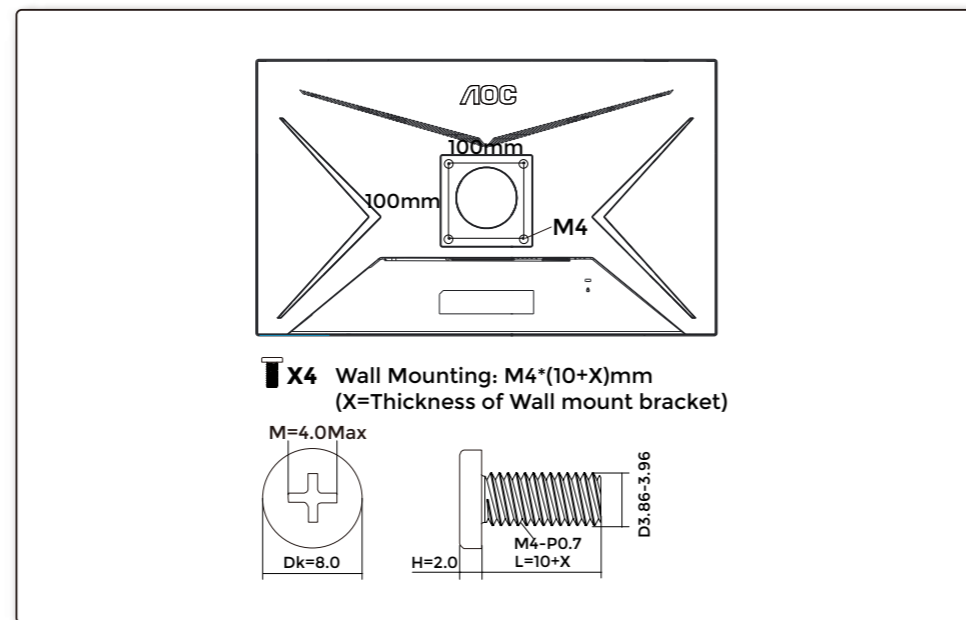
Audio Cable

*Different according to countries/regions
Display design may differ from that illustrated

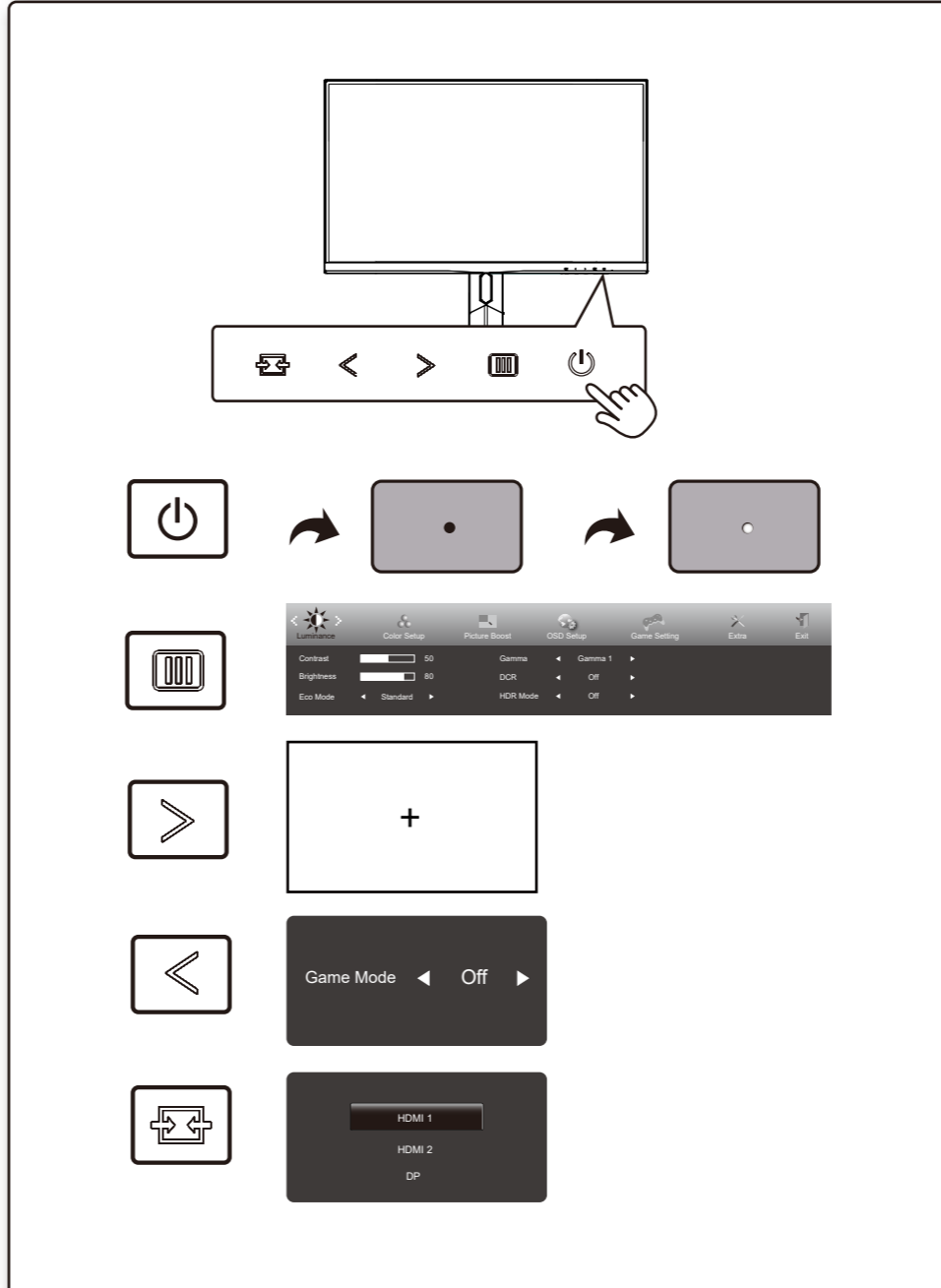
1



2



3



4

General Specification

Panel	Model Name	27G2ZN3/BK		
	Driving System	TFT Color LCD		
	Viewable Image Size	68.5cm Diagonal(27" Wide Screen)		
	Pixel Pitch	0.3114mm(H) x 0.3114mm(V)		
Others	Horizontal Scan Range	30k-255kHz (HDMI/DP)		
	Horizontal Scan Size(Maximum)	596.736mm		
	Vertical Scan Range	48-240Hz (HDMI) 48-280Hz (DP)		
	Vertical Scan Size(Maximum)	335.664mm		
	Max Resolution	1920x1080@240Hz (HDMI) 1920x1080@280Hz* (DP)		
	Plug & Play	VESAs DDC2B/CI		
	Power Source	100-240V~ 50/60Hz 1.5A		
	Power Consumption	Typical(Default Brightness And Contrast)	27W	
		Max. (Brightness = 100, Contrast =100) Standby Mode	≤ 44W ≤ 0.5W	
	Dimensions(with stand)	612.5x(398.6~528.6)x227.4 mm (WxHxD)		
Net Weight	4.85kg			
Physical Characteristics	Connector Type	HDMIx2/DP/Earphone		
	Signal Cable Type	Detachable		
Environmental	Temperature	Operating	0°C~40°C	
		Non-Operating	-25°C~55°C	
	Humidity	Operating	10%~85% (Non-Condensing)	
		Non-Operating	5%~93% (Non-Condensing)	
Altitude	Operating	0m~5000m (0ft~16404ft)		
	Non-Operating	0m~12192m (0ft~40000ft)		

*Overclocking is achieved when resolution is at 1920x1080@280Hz. If any display error occurs during overclocking, please adjust the refresh rate to 240Hz.