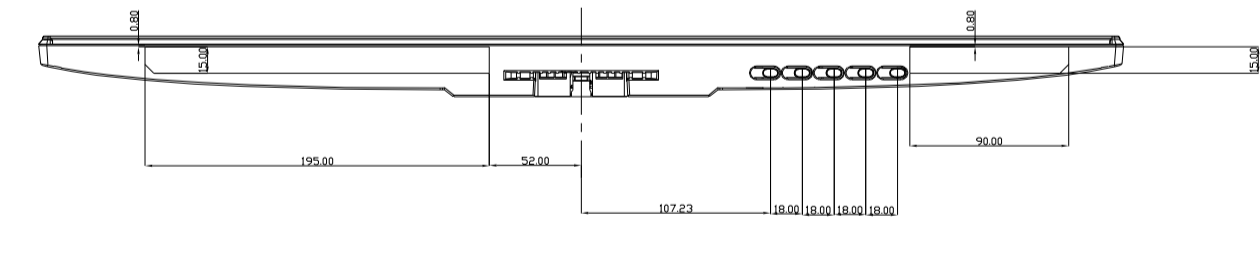
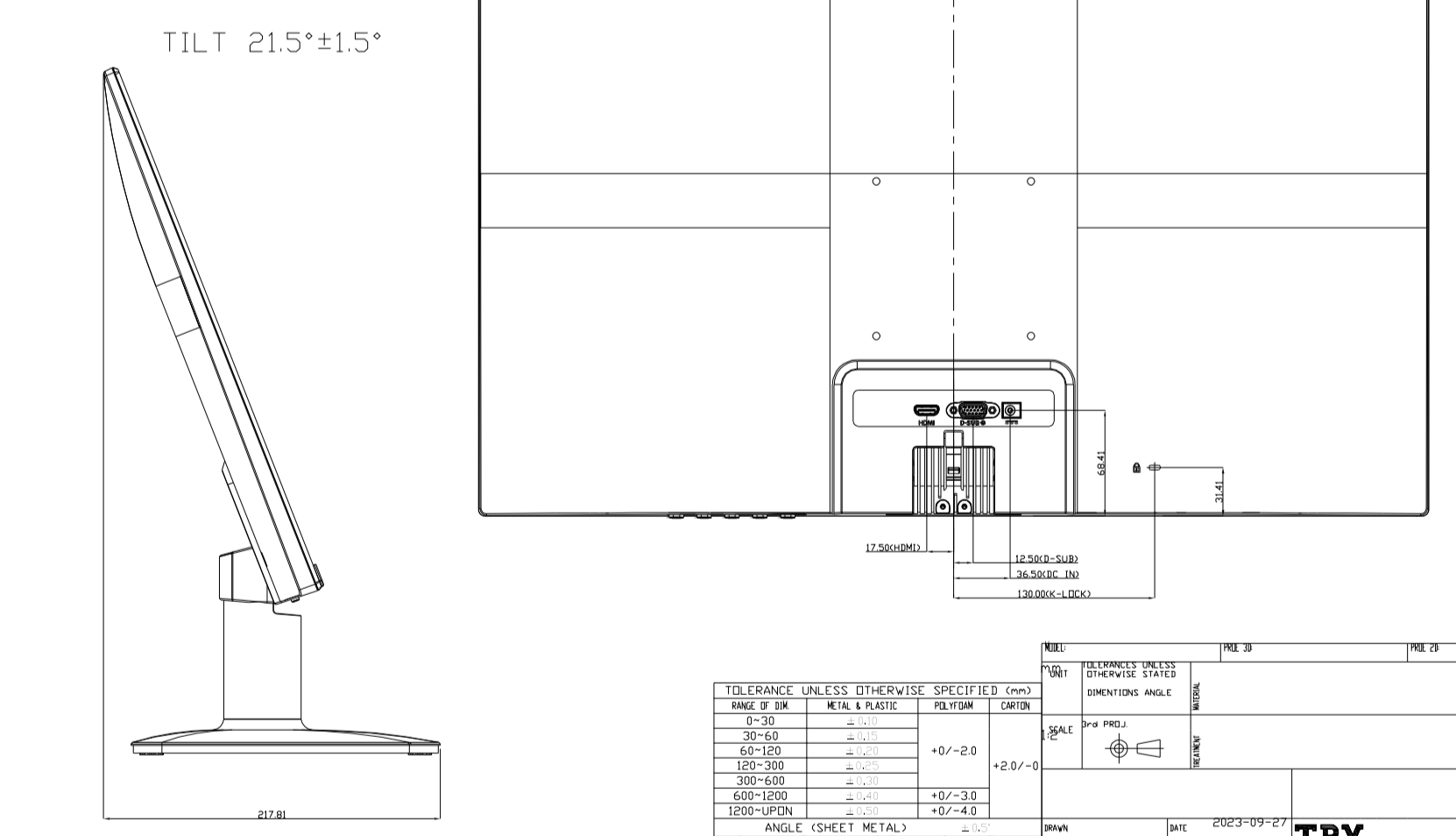
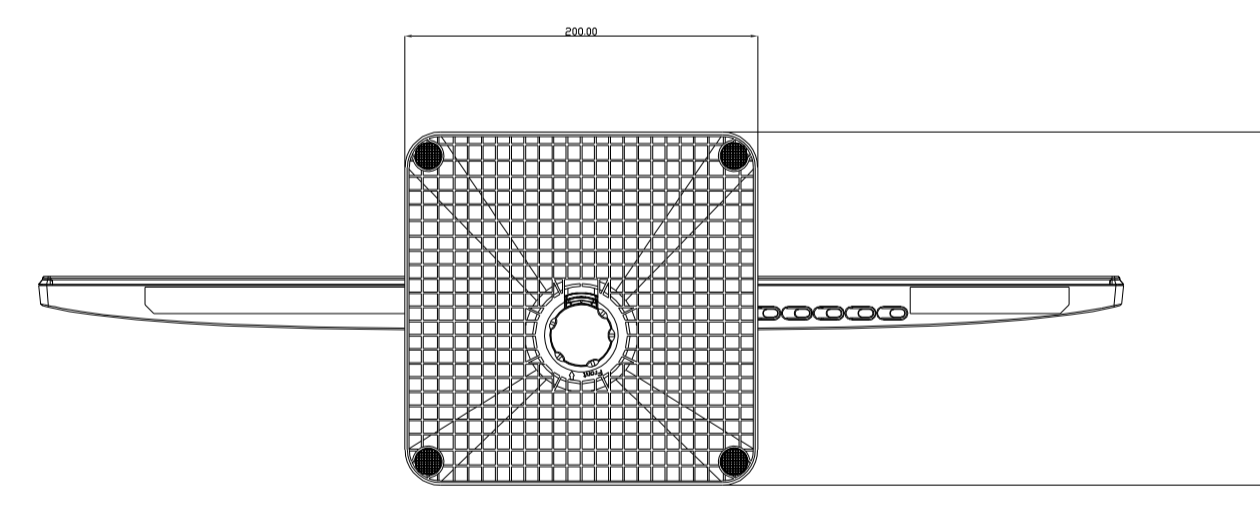
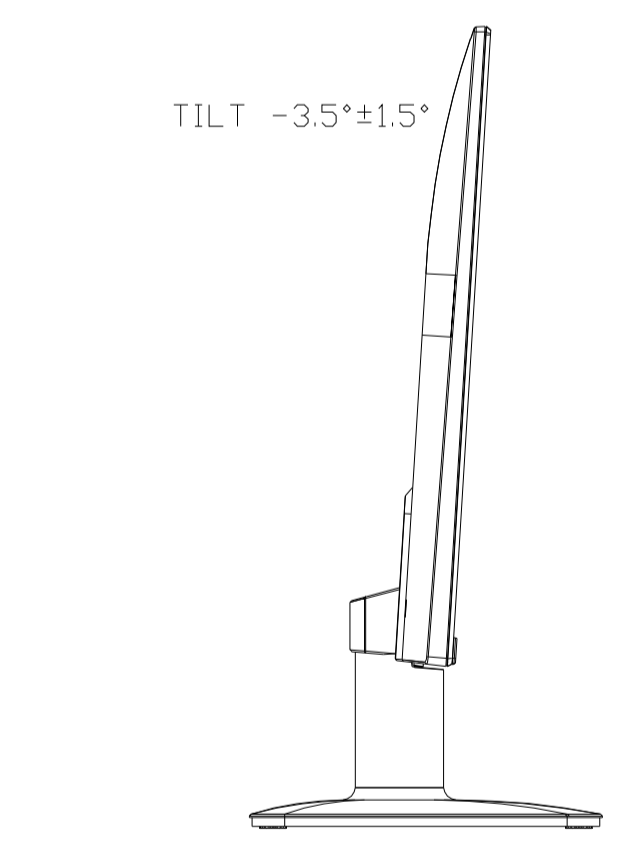
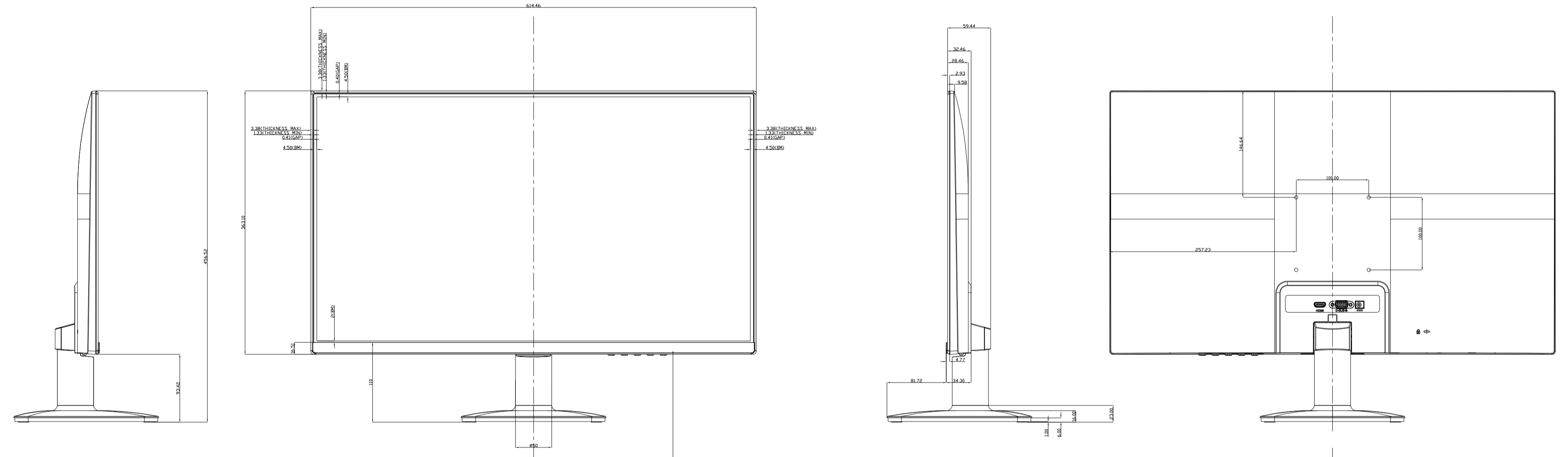
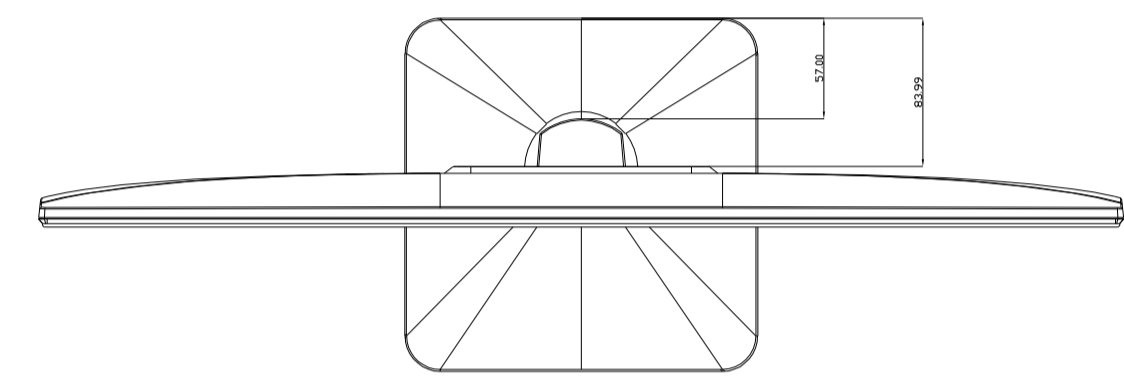


ITEM	CON. NO.	POSITION	DESCRIPTION	DATE	APPROV. P.	APPROV. P.

27E2N1100

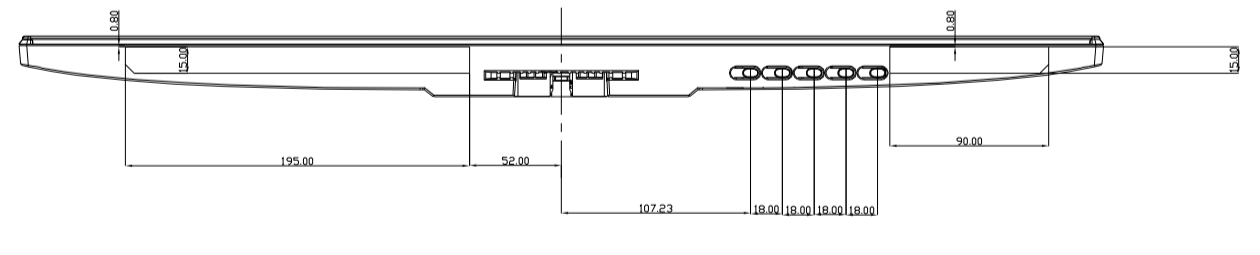
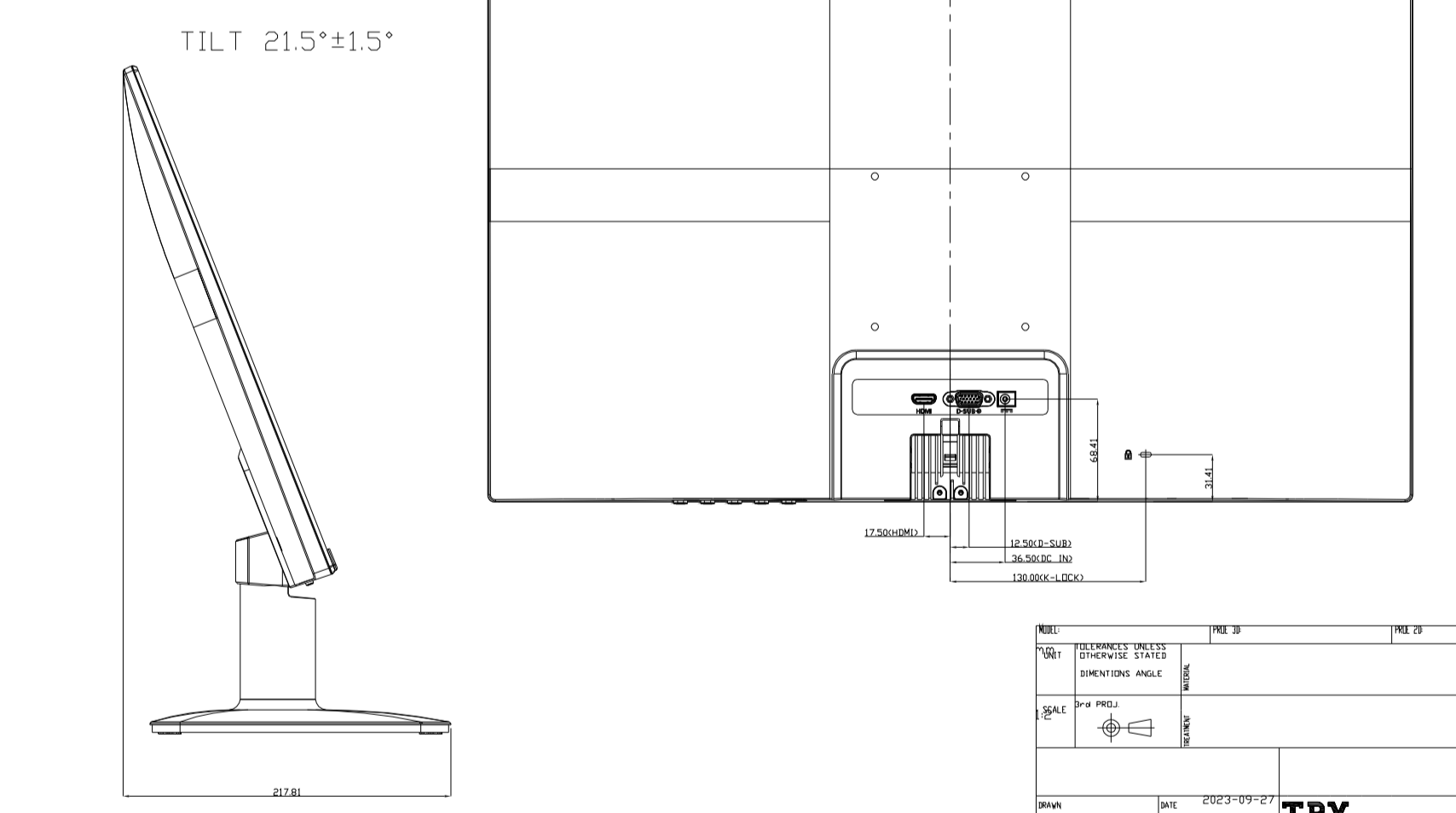
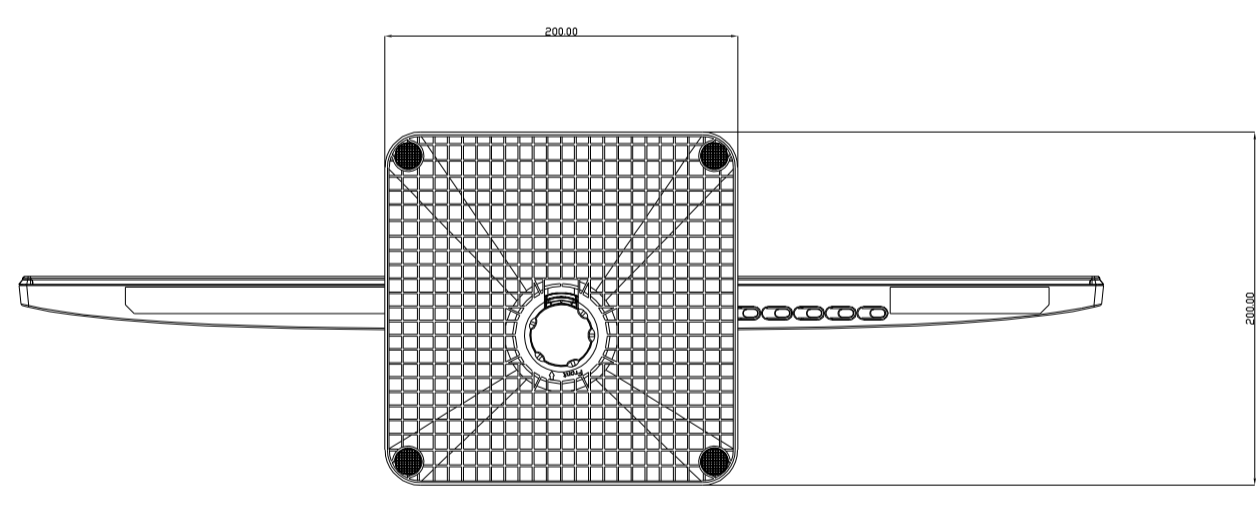
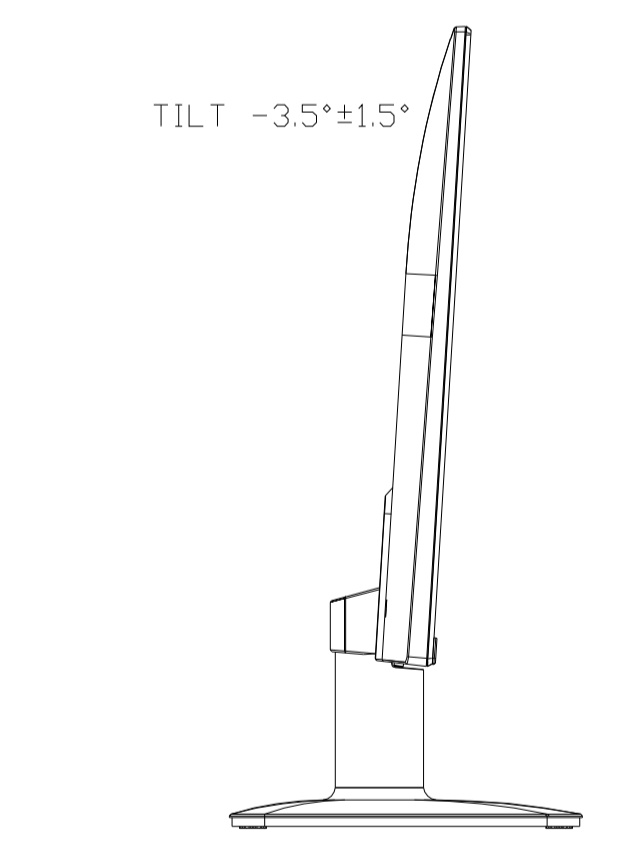
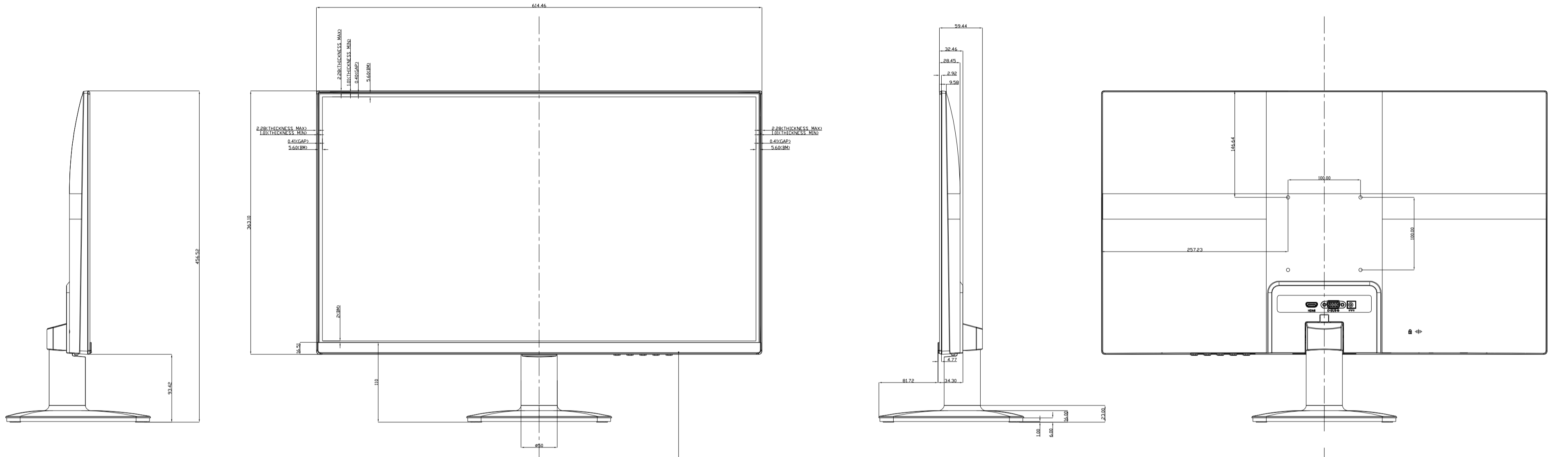
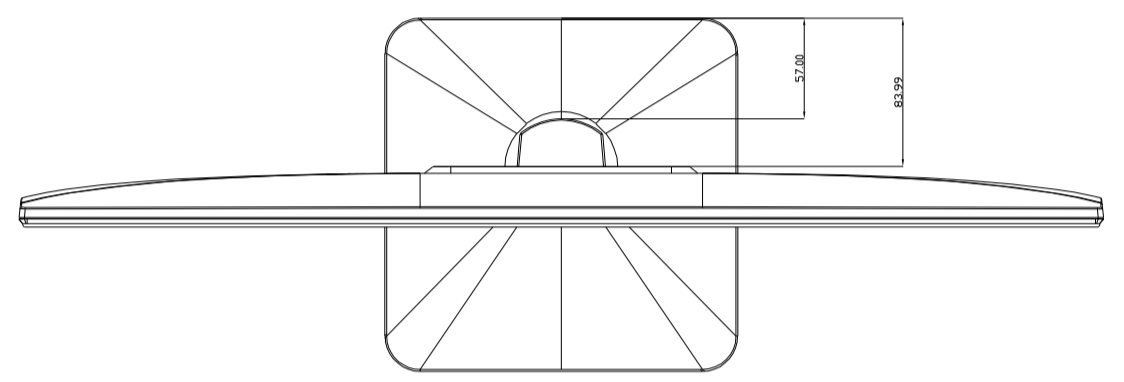


NO.	DESCRIPTION	DATE	BY	CHKD.	APP'D.

TPV

ITEM	CON. NO.	POSITION	DESCRIPTION	DATE	APPROV. P.	APPROV. P.

27E2N1100L



NO.	DESCRIPTION	DATE	BY	CHKD.	APP'D.

TPV