

Find your product and get support



Europe <https://eu.aoc.com/en/support> **Россия** <https://eu.aoc.com/ru/support>

Australia https://au.aoc.com/user_manual **Hong Kong S.A.R.** https://hk.aoc.com/user_manual

中國台灣 https://tw.aoc.com/user_manual **Indonesia** https://id.aoc.com/user_manual

日本 https://jp.aoc.com/user_manual **한국** https://kr.aoc.com/user_manual

Malaysia https://my.aoc.com/user_manual **Myanmar** https://mm.aoc.com/user_manual

New Zealand https://nz.aoc.com/user_manual **Philippines** https://ph.aoc.com/user_manual

Singapore https://sg.aoc.com/user_manual **ประเทศไทย** https://th.aoc.com/user_manual

Việt Nam https://vn.aoc.com/user_manual **Middle East** https://me.aoc.com/user_manual

South Africa https://za.aoc.com/user_manual **Brasil** <https://aoc.portaltpv.com.br/>

India https://www.aocindia.com/download_manuals.php **US/Canada** <https://us.aoc.com/en-US/downloads>



H41G24M1615B71

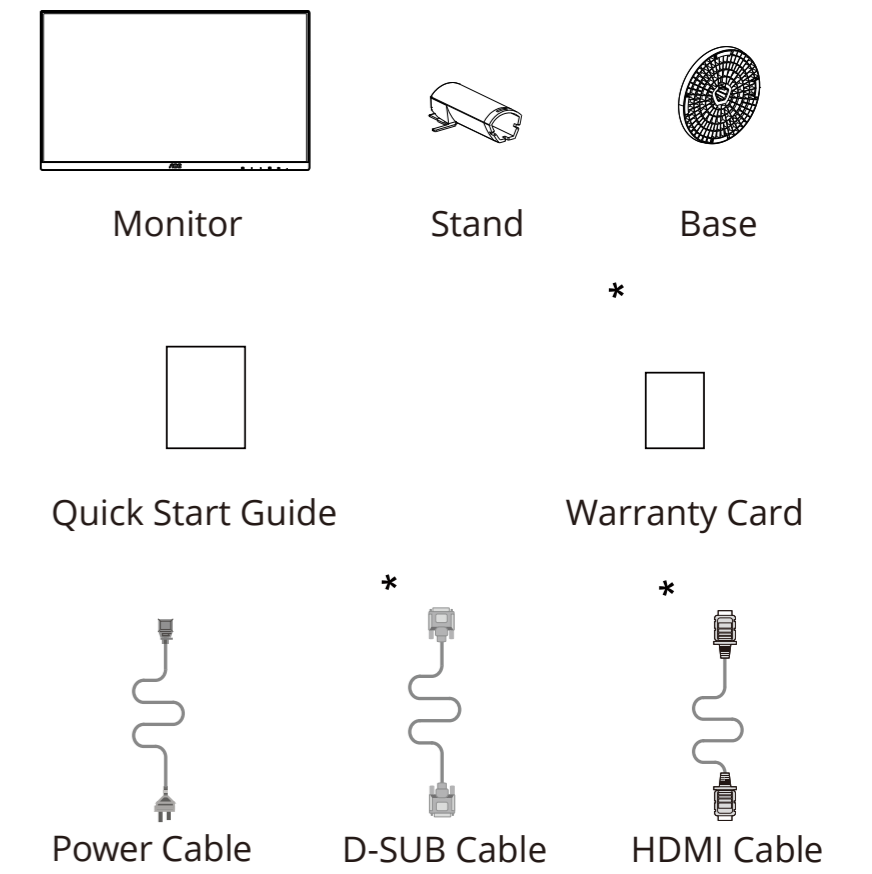
AOC



Quick Start Guide

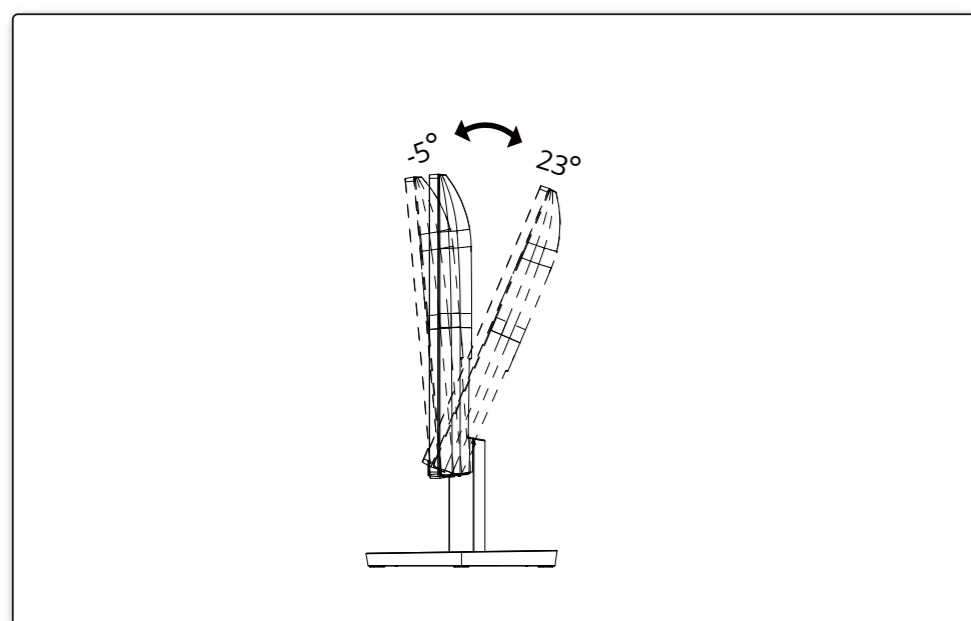
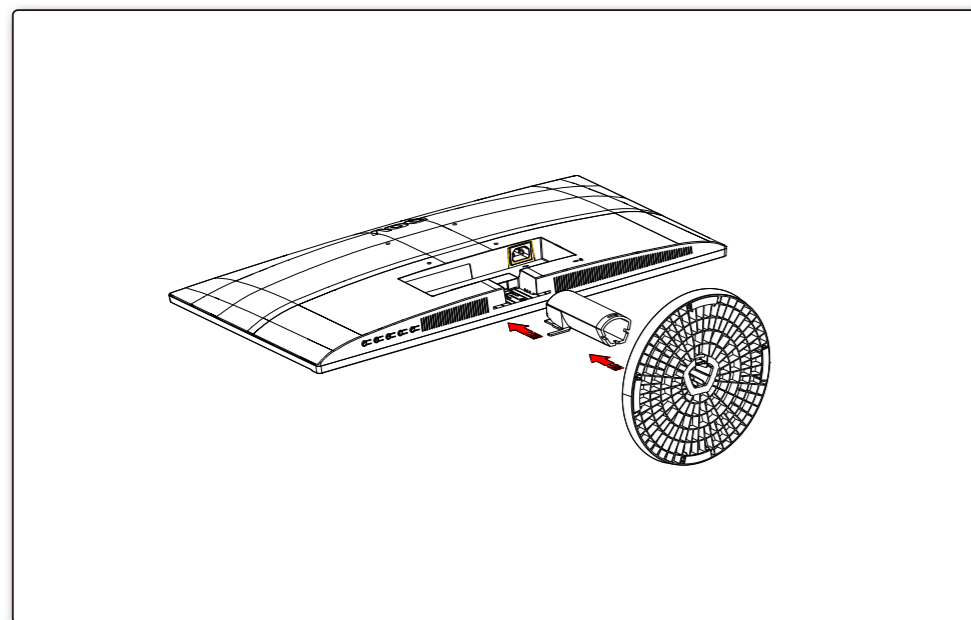
24B3HMA2

www.aoc.com
©2023 AOC. All Rights Reserved

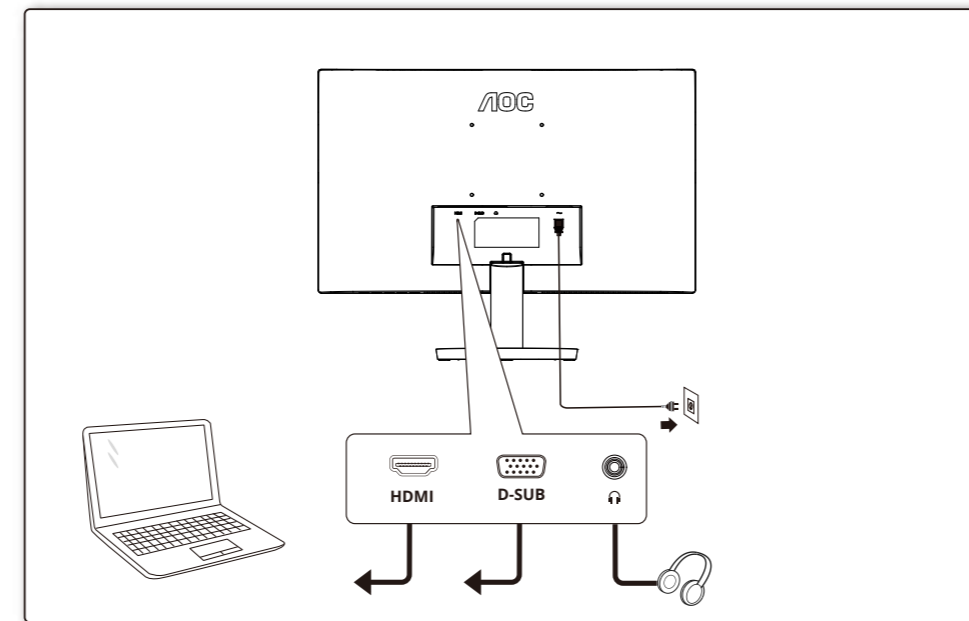
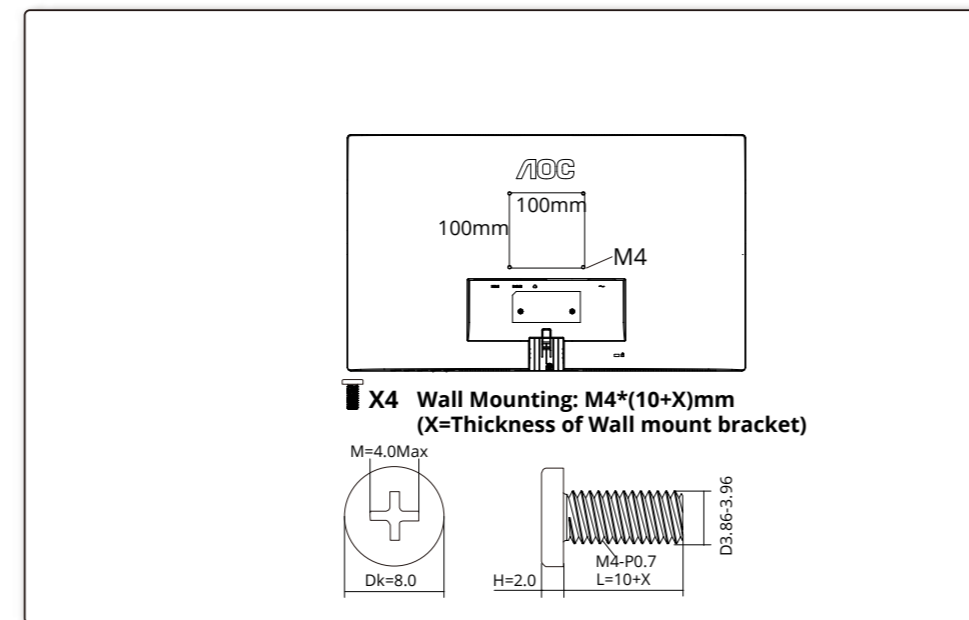


*Different according to countries/regions
Display design may differ from that illustrated

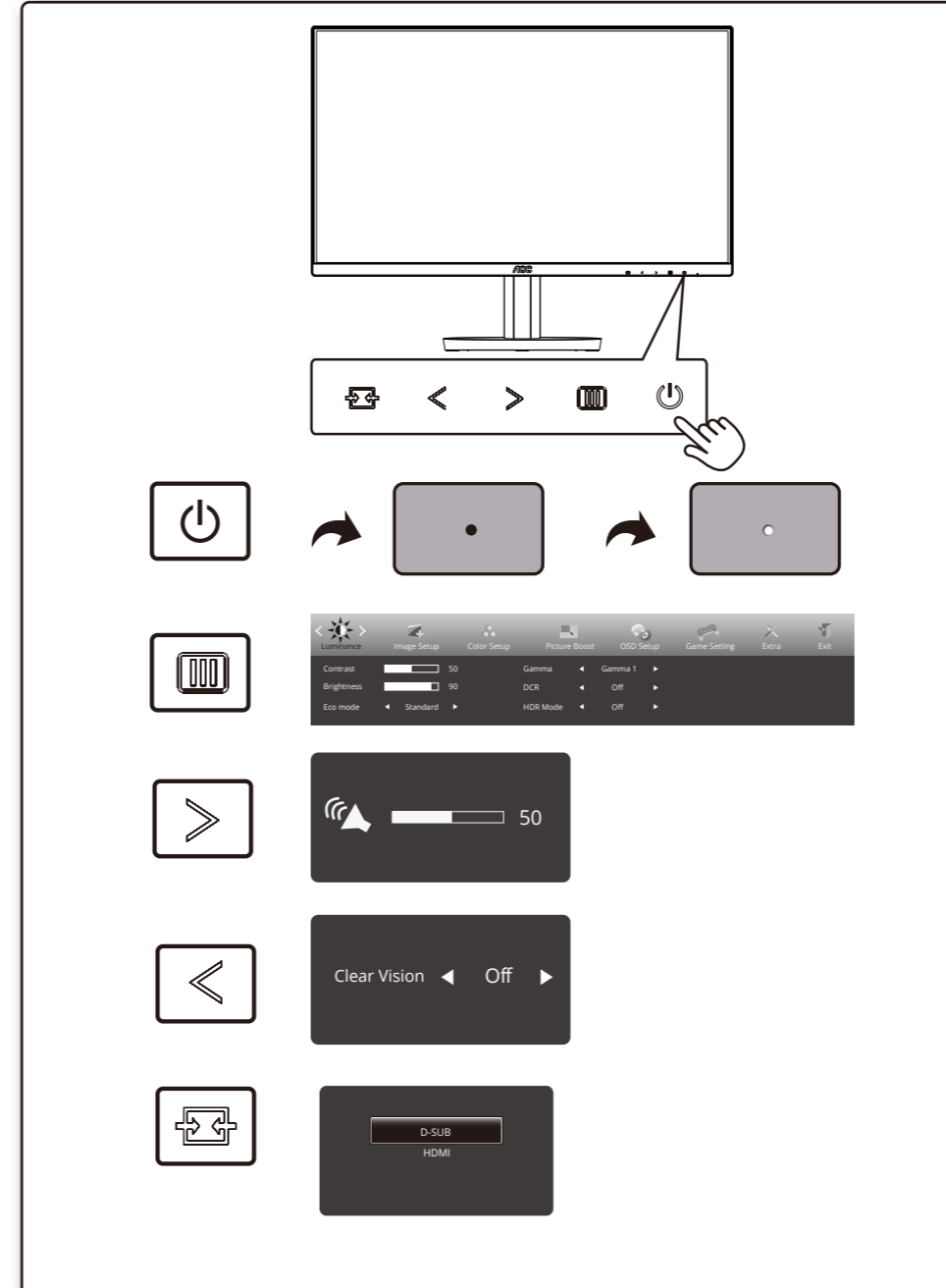
1



2



3



4

General Specification

| | | | | |
|--------------------------|-------------------------------|--|----------------------------|--|
| Panel | Model Name | 24B3HMA2 | | |
| | Driving System | TFT Color LCD | | |
| | Viewable Image Size | 60.5cm Diagonal(23.8" Wide Screen) | | |
| | Pixel Pitch | 0.2745(H)mm x 0.2745(V)mm | | |
| Others | Horizontal Scan Range | 30k-115kHz | | |
| | Horizontal Scan Size(Maximum) | 527.04mm | | |
| | Vertical Scan Range | 48-100Hz | | |
| | Vertical Scan Size(Maximum) | 296.46mm | | |
| | Max Resolution | 1920x1080@60Hz(D-SUB) 1920x1080@100Hz(HDMI) | | |
| | Plug & Play | VESA DDC2B/CI | | |
| | Power Source | 100-240V~, 50/60Hz, 1.5A | | |
| | Power Consumption | Typical (Default Brightness And Contrast) | 20W | |
| | | Max. (Brightness =100, Contrast =100) | ≤ 32W | |
| | | Standby Mode | ≤ 0.5W | |
| | Dimensions(with stand) | 539.7x416.1x202.3mm(WxHxD) | | |
| | Net Weight | 2.84kg | | |
| Physical Characteristics | Connector Type | D-Sub/ HDMI/ Earphone Out | | |
| | Signal Cable Type | Detachable | | |
| | Built-In Speaker | 2Wx2 | | |
| Environmental | Temperature | Operating | 0°C~ 40° C | |
| | | Non-Operating | -25°C~ 55°C | |
| | Humidity | Operating | 10% ~ 85% (non-condensing) | |
| | | Non-Operating | 5% ~ 93% (non-condensing) | |
| | Altitude | Operating | 0m~ 5000m (0~ 16404ft) | |
| | | Non-Operating | 0m~ 12192m (0~ 40000ft) | |