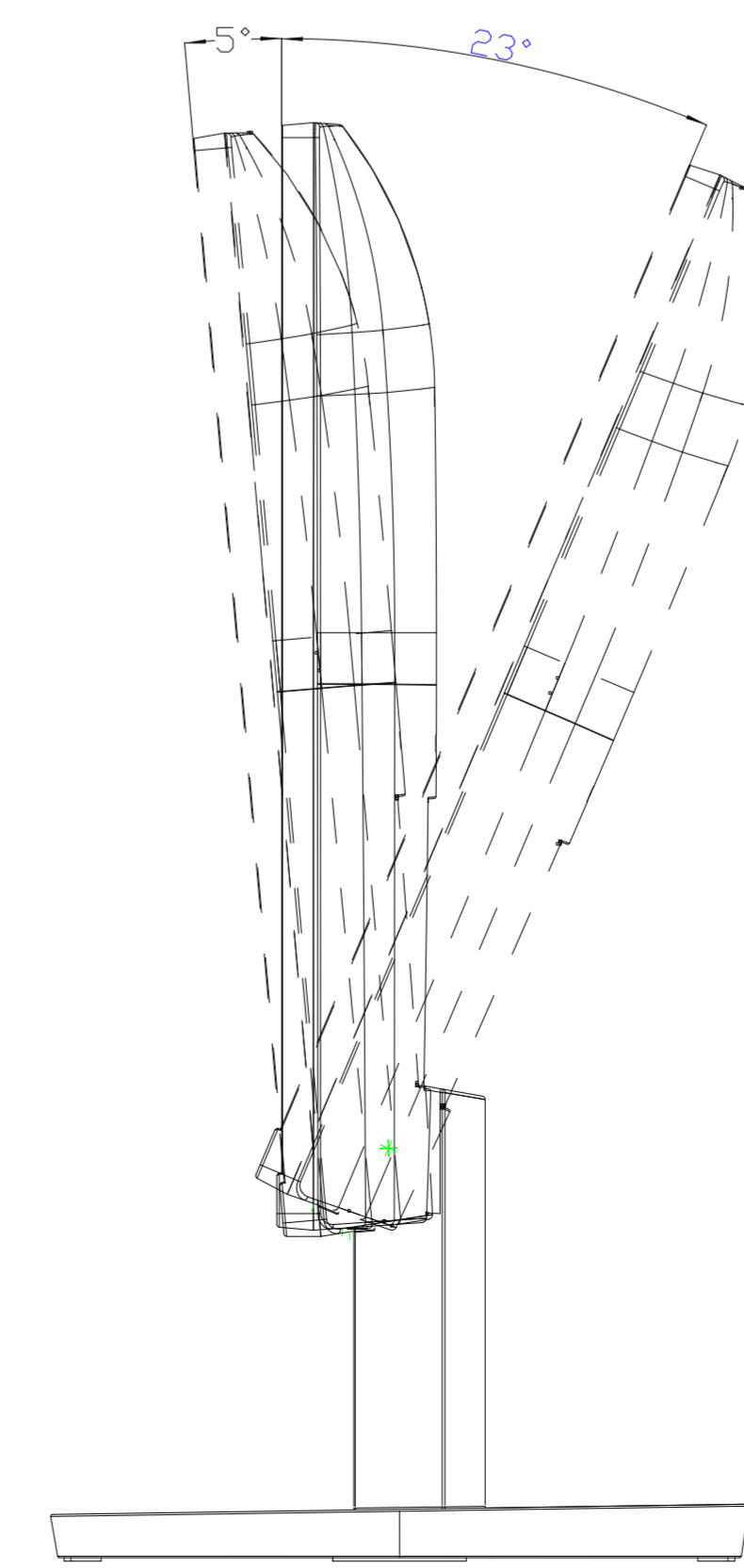
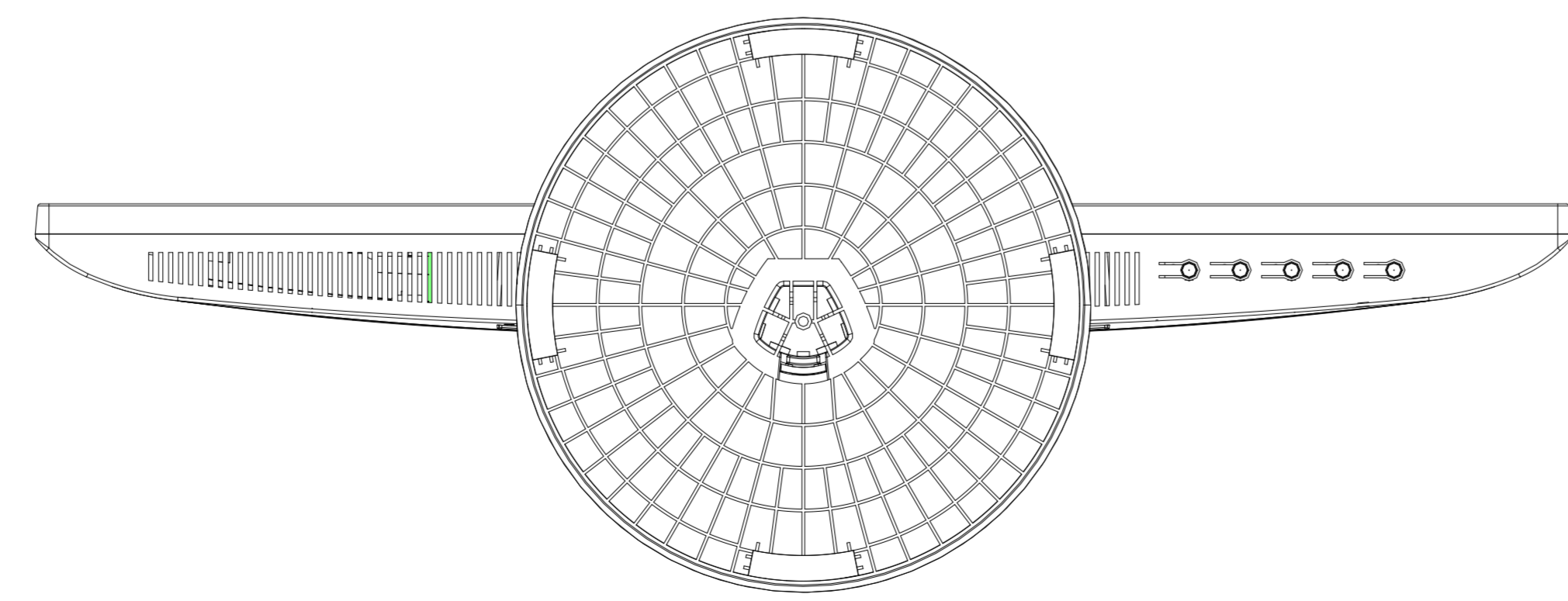
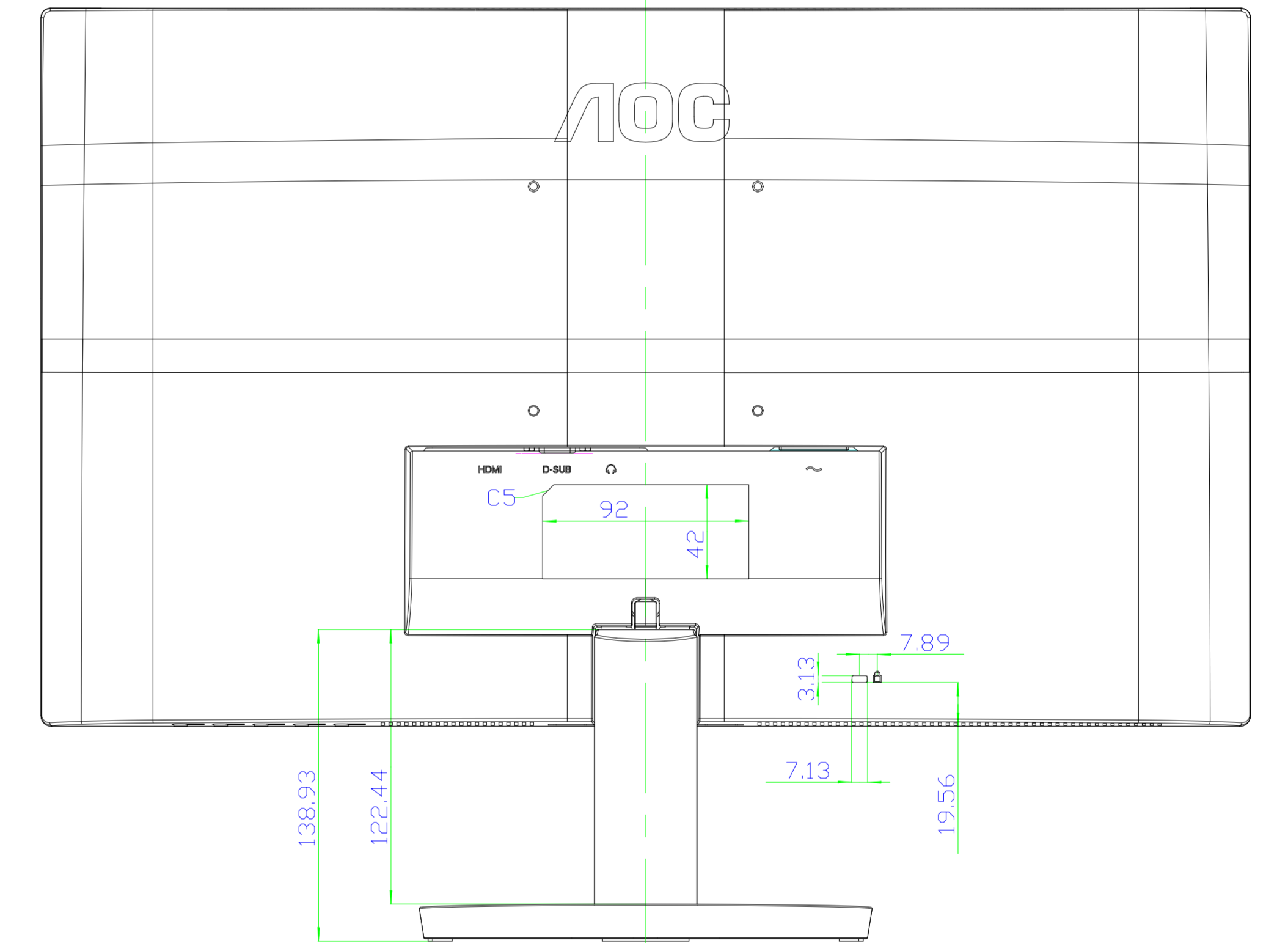
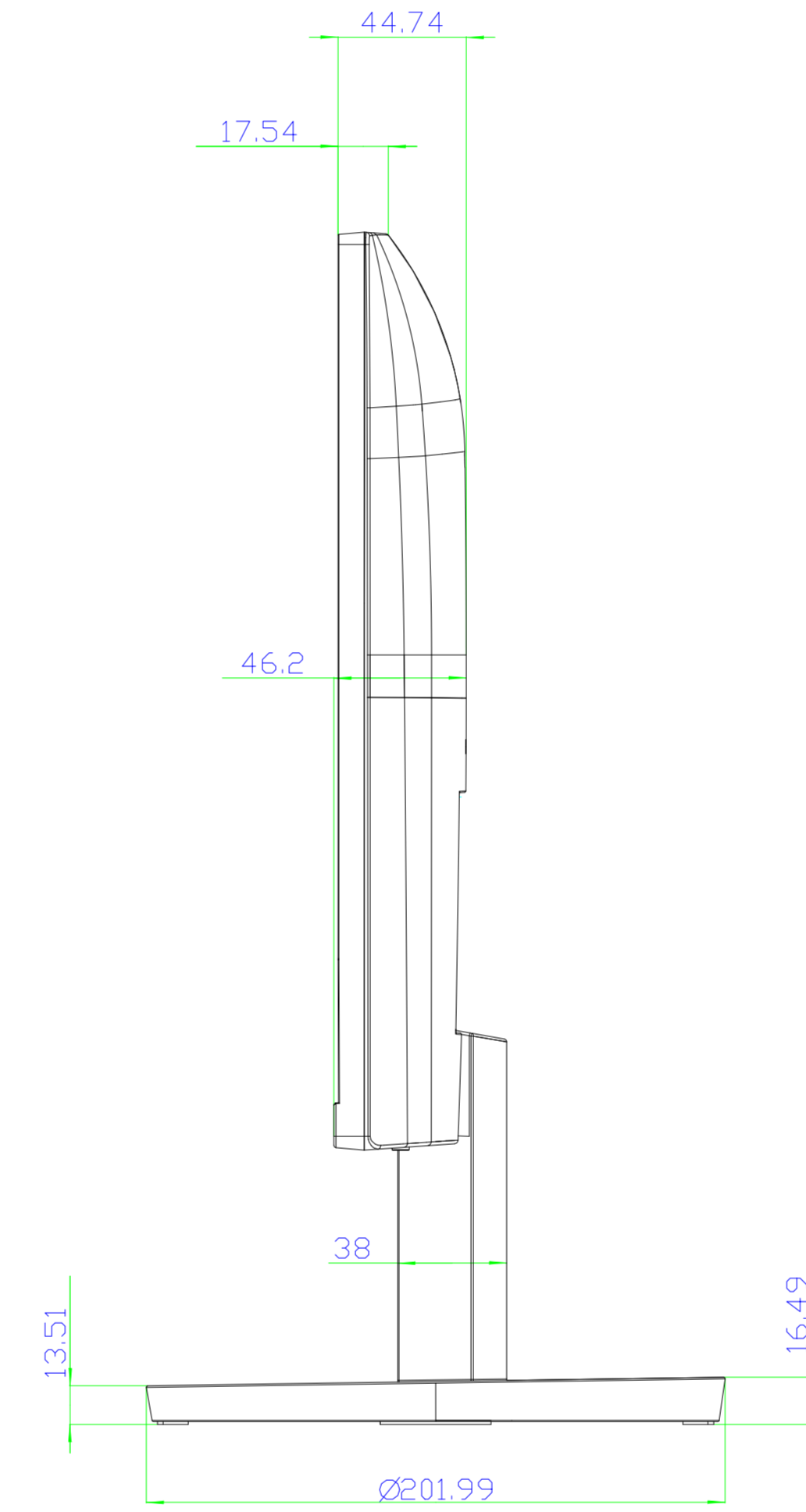
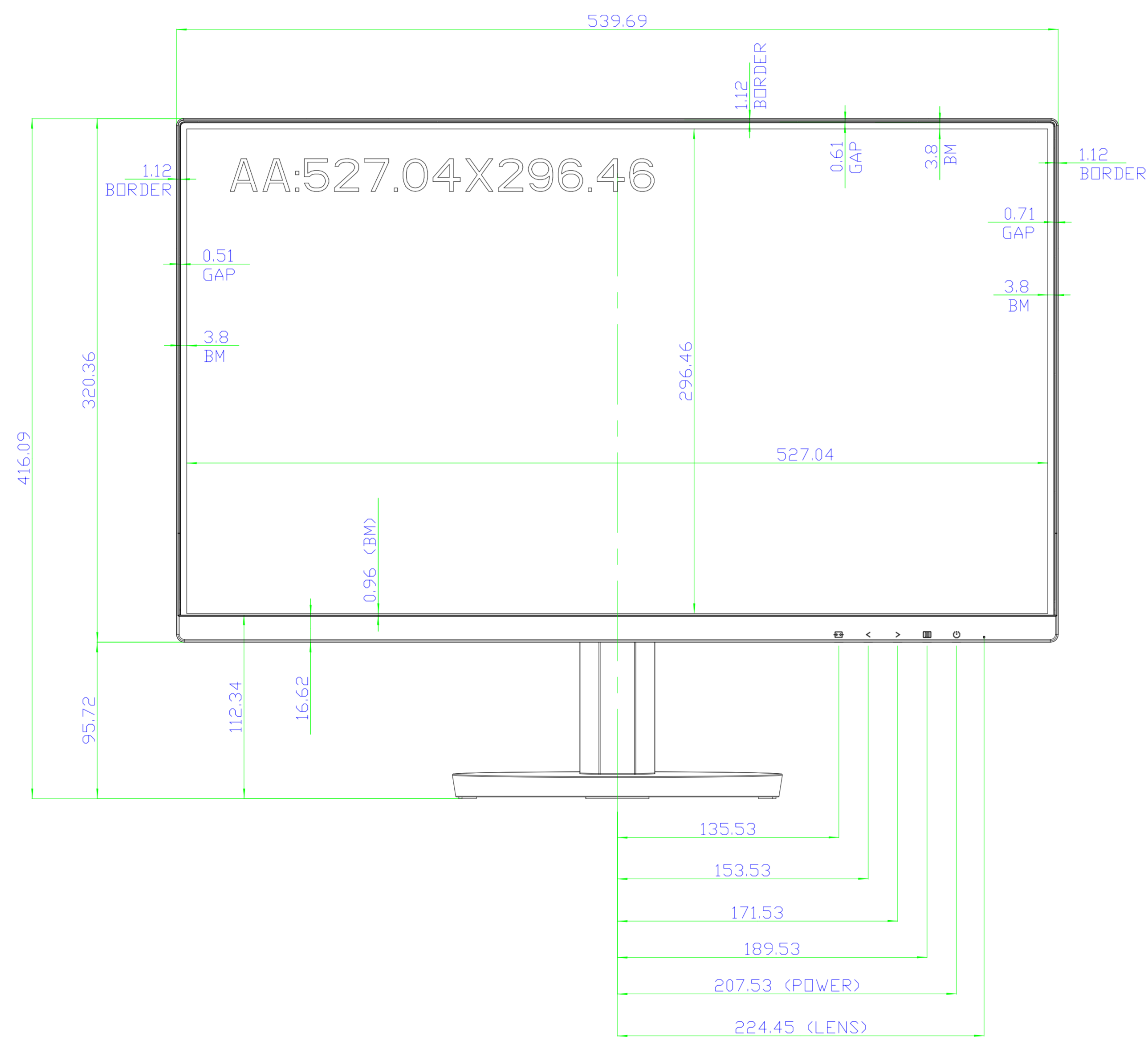
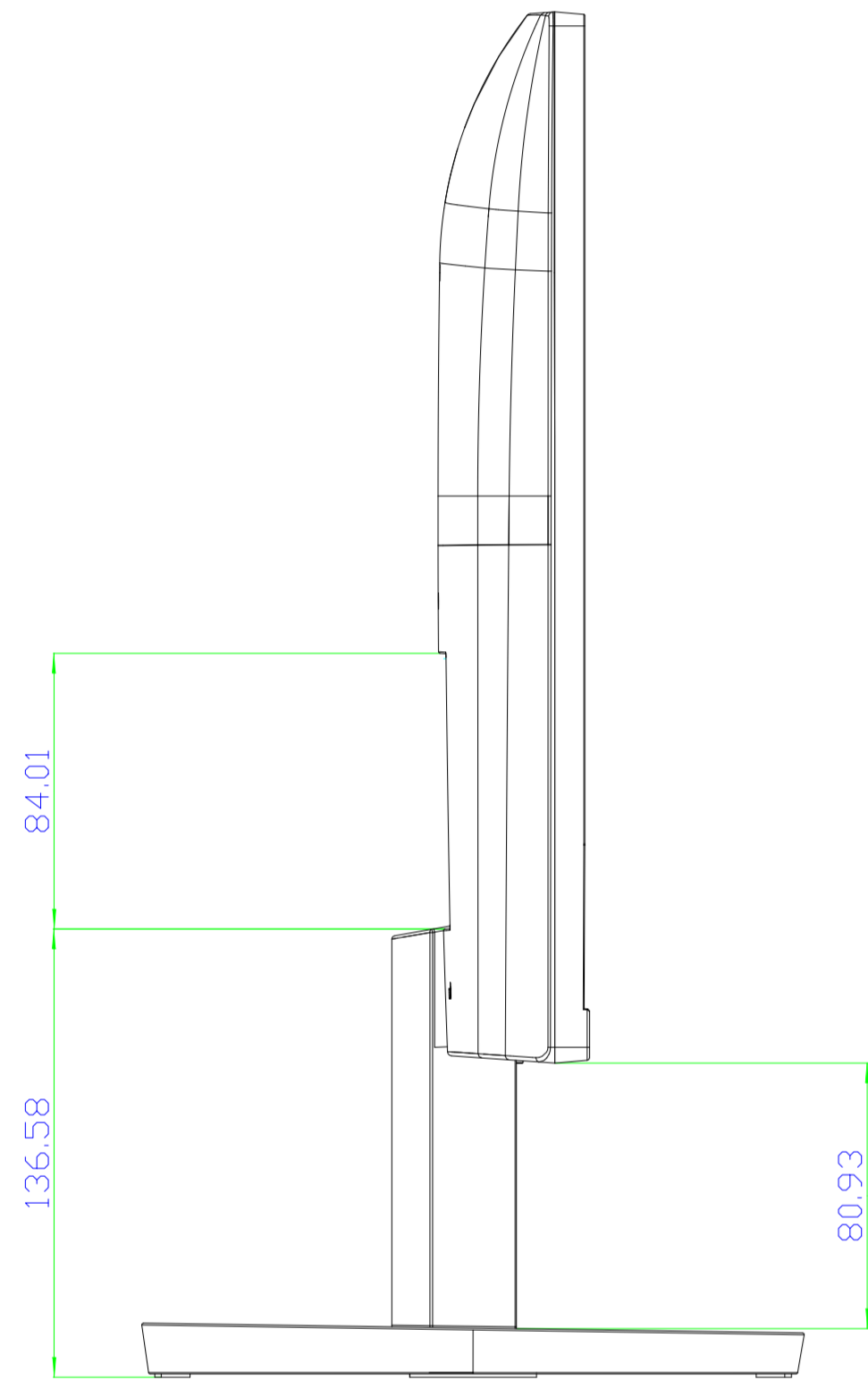
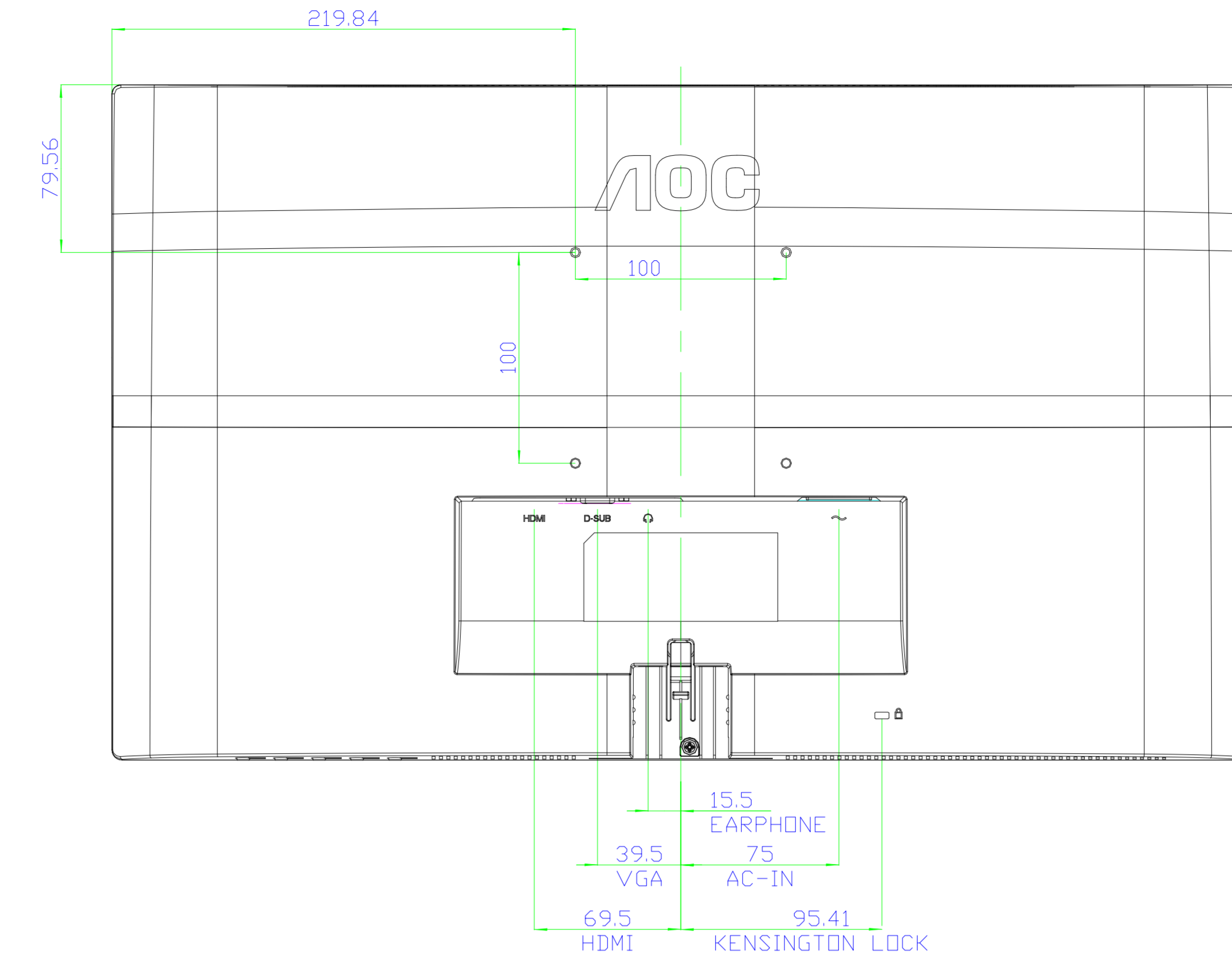
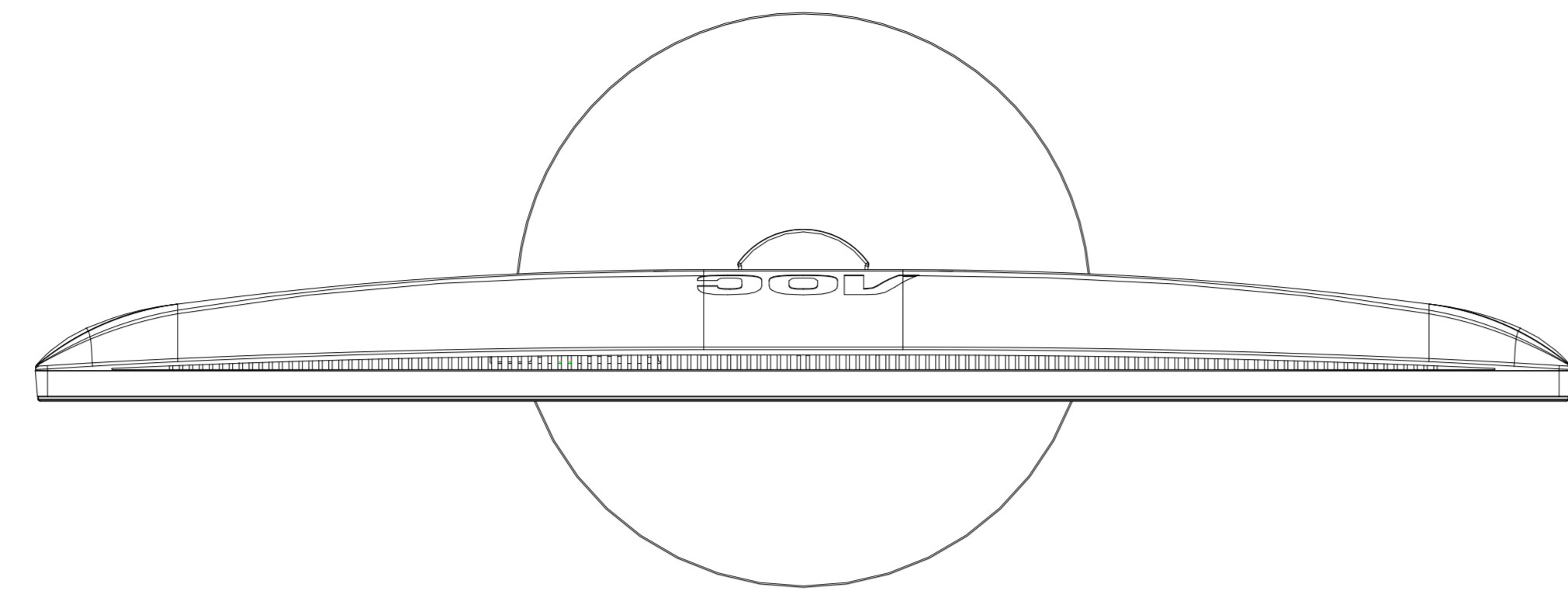
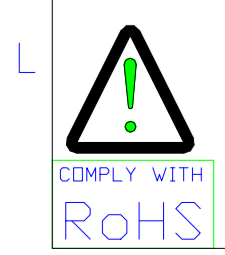


		REVISION LIST					
ITEM	ECN NO.	POSITION	DESCRIPTION WAS	IS	DATE	UPDATED BY	APPROVED BY



TOLERANCE UNLESS OTHERWISE SPECIFIED (mm)	
RANGE OF DIM	METAL & PLASTIC
0-30	±0.10
30-60	±0.15
60-120	±0.20
120-300	±0.25
300-600	±0.30
600-1200	±0.40
1200-UP/DN	±0.50

UNIT	TOLERANCES UNLESS OTHERWISE STATED
M/M	METAL & PLASTIC
SCALE	1:2
DATE	2022-01-11
DATE	2022-01-11



24B3HMA2 SHT191
TPV Technology