

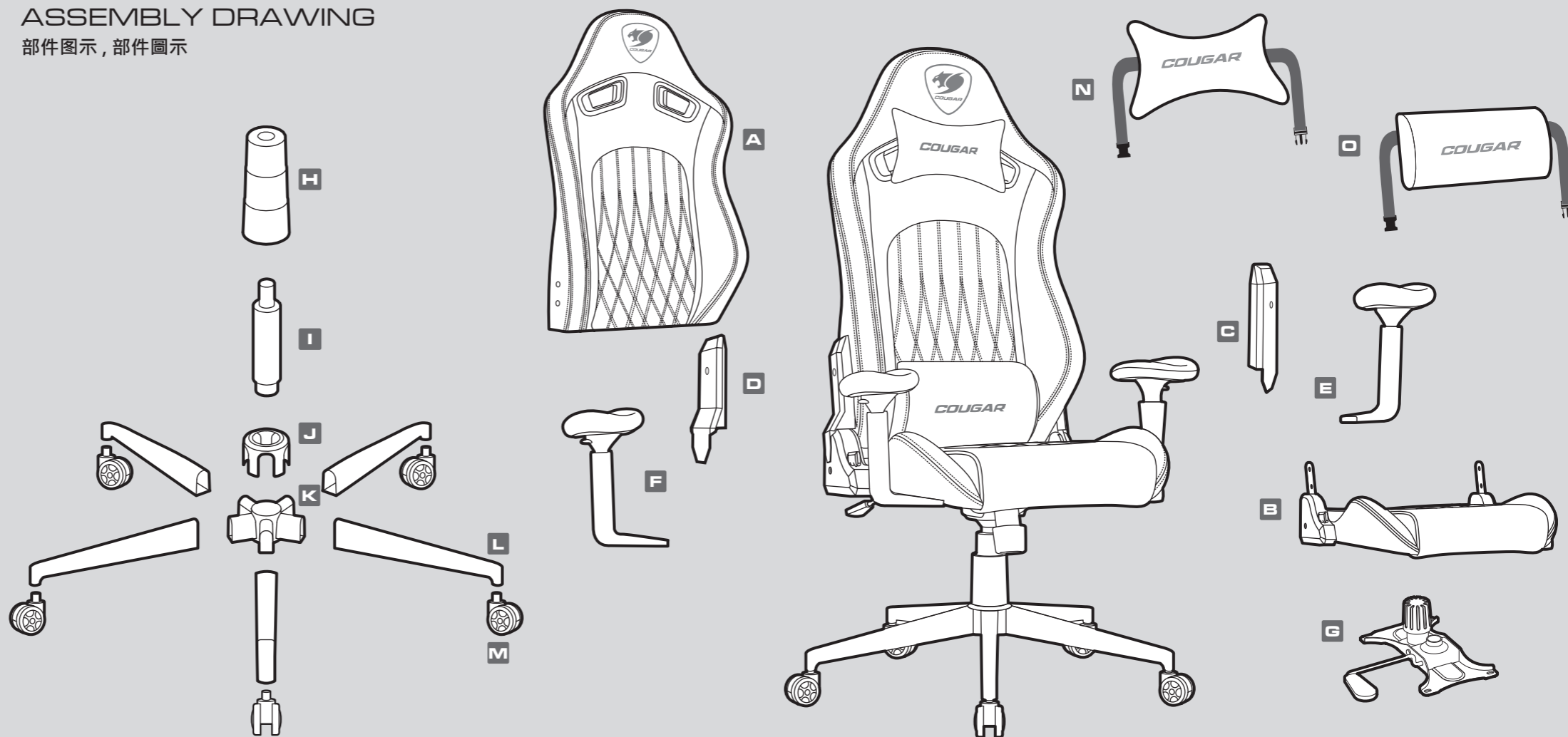


EXPLORE ROYAL

GAMING CHAIR

ASSEMBLY DRAWING

部件图示, 部件圖示



The stylish aesthetic blends impeccable craftsmanship with ergonomic design. The 3D Hyperrotation armrest adjusts in all directions for versatile use. The surface boasts high-quality, breathable PVC leather, coupled with carbon fiber-textured leather, providing elegance, class, and comfort. Beyond gaming, the Explore Royal F is a masterpiece of form and function.

时尚美学结合精湛的制造工艺·符合人体工学设计·可调节扶手3D Hyperrotation全方位的功能调节·可满足不同情境的使用需求·表面采用高质感透气PVC皮革·搭配碳纤维纹理皮革·优雅经典且透气舒适·Explore Royal F电竞椅是您游戏过程中最佳的伙伴更是一件艺术品!

時尚美學結合精湛的製造工藝·符合人體工學設計·可調節扶手3D Hyperrotation全方位的功能調節·可滿足不同情境的使用需求·表面採用高質感透氣PVC皮革·搭配碳纖維紋理皮革·優雅經典且透氣舒適·Explore Royal F電競椅是您遊戲過程中最佳的夥伴更是一件藝術品!

FEATURES 产品特点, 產品特點

ENGLISH

- Breathable PVC leather
- 3D Hyperrotation armrest
- Head and Lumbar Pillow
- Body-embracing high back design
- Full steel frame
- Gas lift height adjustment
- 5 Star metal base
- Weight limit: 120kg

PORTUGUÊS

- Couro de PVC respirável
- Apoio de braço giratório 3D
- Travesseiro de cabeça e lombar
- Design de encosto alto que envolve o corpo
- Estrutura completa em aço
- Ajuste de altura do elevador a gás
- Base de metal 5 estrelas
- Limite de peso: 120 kg

簡中

- 透气的PVC皮革材质
- 可调节3D旋转扶手
- 头枕和腰枕
- 高背式环抱椅背设计
- 坚固的钢管结构设计
- 椅座高低可调节设计
- 坚固耐用的金属椅脚
- 最大可承重 120kg

ESPAÑOL

- Cuero de PVC transpirable
- Reposabrazos giratorios 3D
- Almohada para la cabeza y la zona lumbar
- Diseño de respaldo alto que abraza el cuerpo
- Marco de acero completo
- Ajuste de altura del elevador de gas
- Base de metal de 5 estrellas
- Limite de peso: 120 kg

РУССКИЙ

- Дышащая кожа из ПВХ
- Вращающийся 3D-подлокотник
- Подушка для головы и поясницы
- Облегающий дизайн с высокой спинкой
- Полностью стальной каркас
- Регулировка высоты газлифта
- 5 звезд металлическая основа
- Ограничение по весу: 120 кг

繁中

- 透氣的PVC皮革材質
- 可調式3D旋轉扶手
- 頭枕和腰枕
- 高背式環抱椅背設計
- 堅固的鋼管結構設計
- 椅座高低可調式設計
- 堅固耐用的金屬椅腳
- 最大可承重 120kg

DEUTSCH

- Atmungsaktives PVC-Leder
- 3D-drehbare Armlehne
- Kopf- und Lendenkissen
- Körperumschließendes Design mit hoher Rückenlehne
- Vollstahlfähren
- Höhenverstellung per Gasdruckfeder
- 5-Sterne-Metallfuß
- Gewichtsbeschränkung: 120 kg

FRANÇAIS

- Cuir PVC respirant
- Accoudoir rotatif 3D
- Oreiller pour la tête et les lombaires
- Conception à dossier haut enveloppant le corps
- Cadre entièrement en acier
- Réglage de la hauteur par vérin à gaz
- Base en métal 5 étoiles
- Limite de poids: 120 kg

KOREAN

- 통기성 PVC 가죽
- 3D 회전식 팔걸이
- 머리 및 요추 베개
- 몸을 감싸는 하이백 디자인
- 풀 스틸 프레임
- 가스 리프트 높이 조절
- 5성 메탈 베이스
- 체중 제한: 120kg

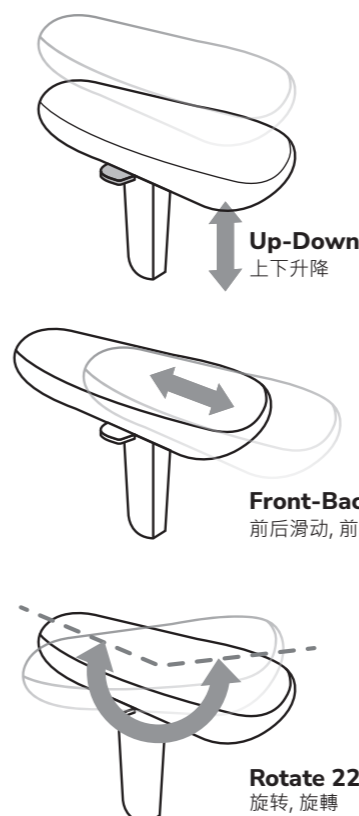
日本語

- 通気性のある PVC レザー
- 3D回転アームレスト
- 頭と腰の枕
- 体を包み込むハイバックデザイン
- フルスチールフレーム
- ガスリフト高さ調整
- 星5メタルベース
- 体重制限: 120kg



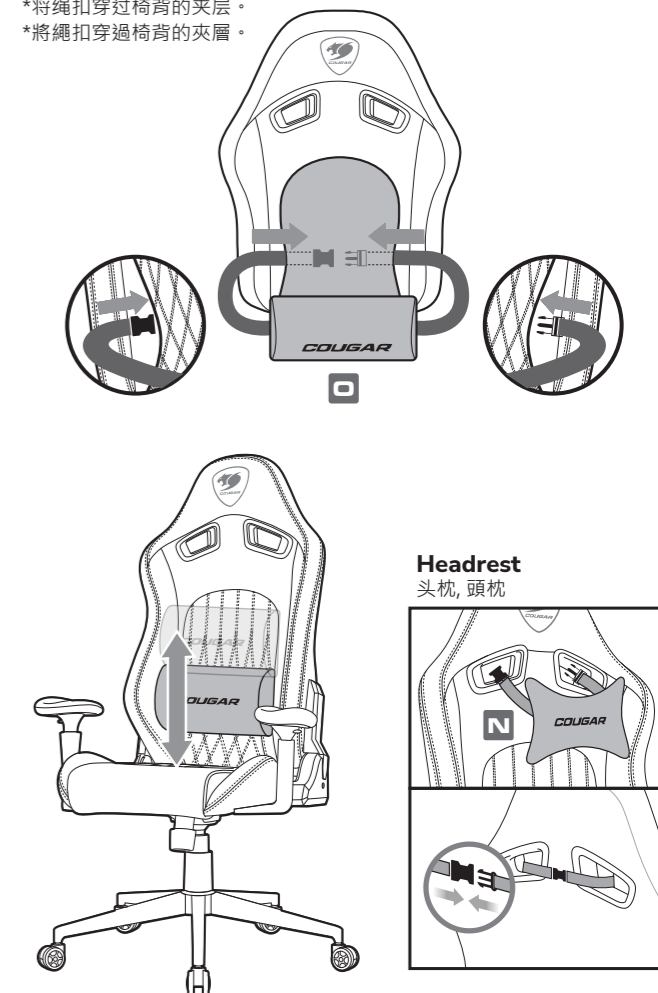
3D Hyperrotation Armrest

3D 可調式旋轉扶手
3D 可調式旋轉扶手

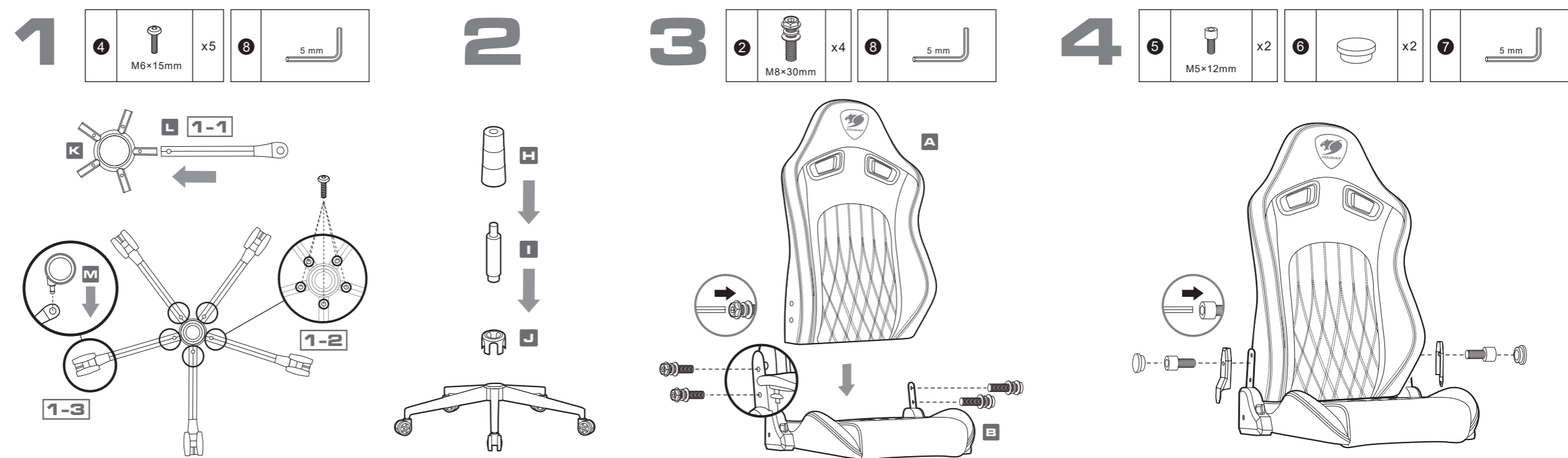


*Secure the lumbar pillow by threading the straps through the back cushion.

*將繩扣穿過椅背的夾層。
*將繩扣穿過椅背的夾層。

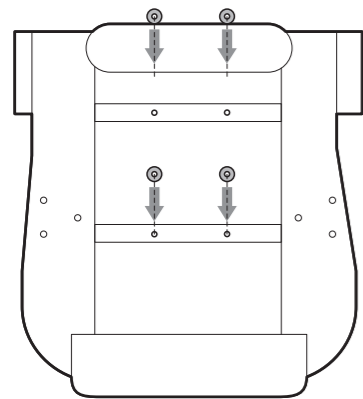
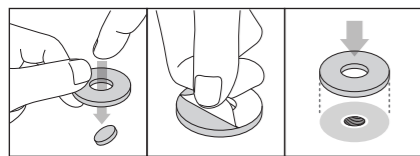


1 M8×25mm x4	2 M8×30mm x4	3 M8×35mm x6
4 M6×15mm x5	5 M5×12mm x2	
6 x2	7 x4	8 5 mm x1



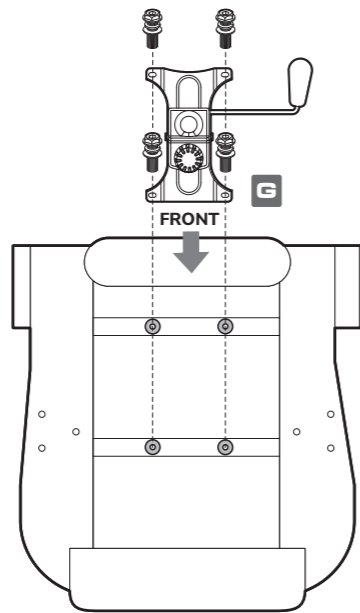
5

7 x4



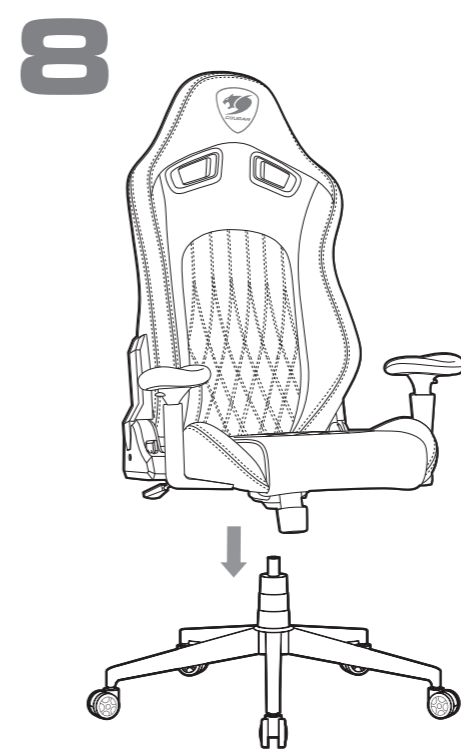
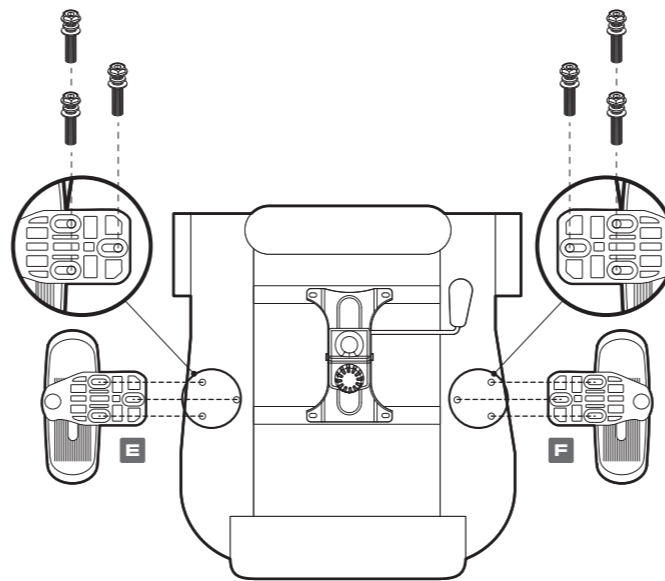
6

1 M8×25mm x4	8 5 mm
---------------------------	------------------



7

3 M8×35mm x6	8 5 mm
---------------------------	------------------



MANUFACTURER CONTACT

制造商联系方式, 製造商聯繫方式

COUGAR COUGAR USA Technical Service
Tel: (833) 256-3778
www.cougargaming.com Mail:rma@compucaseusa.com

Compucase Enterprise Co.,Ltd.
All rights reserved. Made in China



Official website

Maximum stationary weight capacity 120kg. Please do not place any body or object above 120kg on this chair. From spaces in which it could get caught or be injured.

本产品最大承受重量120公斤。请勿将120公斤以上的物体放在椅子上。
本產品最大承受重量120公斤。請勿將120公斤以上的物體放在椅子上。

DISTRIBUTOR



GLOBAL WARRANTY POLICY

全球保固条款, 全球保固條款

WARRANTY PERIODS OF COUGAR GAMING DEVICES

Product : COUGAR EXPLORE ROYAL Gaming Chair
Warranty : Please refer to our official website.
(https://cougargaming.com/us/support/warranty/)
保固政策 : 中国地区购买, 请参考中国地区官方网站。
(http://cougargaming.com.cn/support/warranty/)



詳細保固條件
請掃描QR Code

This warranty gives you specific legal rights. You may also have other rights granted under local law. These rights may vary.

WARRANTY AGREEMENT

If the product has defects in material or manufacture, COUGAR will provide product repair and replacement service within the warranty period.
Our warranty service is based on the date of the invoice or warranty card.

CONDITIONS WHERE FREE MAINTENANCE IS NOT PROVIDED

- Any fault or damage caused by natural disasters (including storm, fire, flood, thunder, earthquake, etc).
- Any fault or damage caused by accidental factors and man-made reasons (including hit, scrape, crash, moving, compression, stain, corrosion, riot, misuse, malicious damage, etc).
- Use in an improper operating environment (including high temperature, high humidity, water inflow, etc).
- Inability to provide the product warranty card, purchase receipt or invoice to prove the product is still within the warranty period and the shipping date of the product is out of warranty.
- The warranty card has been altered or its number is hard to identify.
- The warranty period has expired.

- Any fault or damage caused by non-compliance with regulations stated on the user manual or improper, rough and careless treatment.
- Any fault or damage caused by use of parts not certified by COUGAR original manufacturer.
- The problem is caused by improper repair or adjustment by the buyer or any manufacturer without authorization from COUGAR.
- The product is not acquired from an authorized distributor of the company or is acquired from illicit sources.
- Paper carton, instruction and other accessories are not warranted.

DISCLAIMERS

- COUGAR products should not be used as critical components in life support devices.
- COUGAR is not liable for any damage of life and limb or damage or loss of property caused by or during COUGAR products' use as or with medical equipment, military equipment, traffic equipment and disaster prevention systems.
- COUGAR's warranty liability is limited to repair or replacement. The decision on whether to repair or replace belongs exclusively to COUGAR.

- COUGAR is, to the extent not prohibited by law, not liable for any damages; expenses; lost data, revenues, savings or profits; or any incidental or consequential damages happened while the use of a defective product from COUGAR or due to its use.

LEGAL NOTICES

This manual was created by Compucase Enterprise and may not be completely or partially copied, passed on, distributed or stored without written consent by Compucase Enterprise.
COUGAR® is a registered brand of Compucase Enterprise. Other product and company names mentioned in this documentation may be brands or trademarks of their respective owners.
Compucase Enterprise reserves the right to make changes concerning the contents of the manual and the technical data of the product without previous announcement.

WARNING

- To adjust the chair height, gently pull the lever up. Do not use excessive force to pull the lever.
- Please wear protective gloves when assembling the chair. It is your own responsibility to use appropriate protection to prevent any physical damage.
- When rocking the chair, using it in any other way or adjusting the height, inclination, position or balance of the chair or any of its components, please pay attention to your hand's position and keep it away from spaces in which it could get caught or be injured.
- Do not make fast or violent movements when the chair is in movement.
- Do not touch any of the chair's adjustment controls to prevent affecting its stability and causing a potentially dangerous fall.
- When reclining the chair to its full extent, set the related control level in lock position and keep both feet on the ground, as well as abstain from any violent, rough or strong movement which could cause the chair to tip over.
- Keep in mind that this chair is designed only for sitting and reclining, and that it should be used only for those uses.
- Do not sit on the edge of the chair or the arm rests.
- Do not place the chair in a location in which it is likely to be subjected to prolonged sunlight exposure.
- The product's colors might fade when exposed to sunlight.
- Do not use abrasive products or scrub energetically when cleaning. Please stick to gentle products suitable for delicate materials.
- All parts should be checked monthly to confirm their integrity and to make sure that the screws are not loose.
- If any part of the product is or appears to be damaged, missing or loose, please contact the local distributor and do not use the product.

ДАТА ИЗГОТОВЛЕНИЯ ПРОДУКЦИИ

год и месяц изготовления продукции указаны в серийном номере продукта. (существует 2 способа определения даты изготовления, оба способа описаны ниже)

- После S/N: первые две цифры означают год, вторые две – месяц изготовления. Например, S/N: H1702000001 означает, что товар был произведен в феврале 2017 года.
- После S/N: если указаны буквы, то две буквы представляют цифры из таблицы ниже, и означают год, следующие две цифры – месяц изготовления. Например, S/N: DAG02REV1000001 означает, что товар был произведен в феврале 2017 года.

A	B	C	D	E	F	G	H	I	J
1	2	3	4	5	6	7	8	9	0

• Например, AG = 17 = 2017 год

