

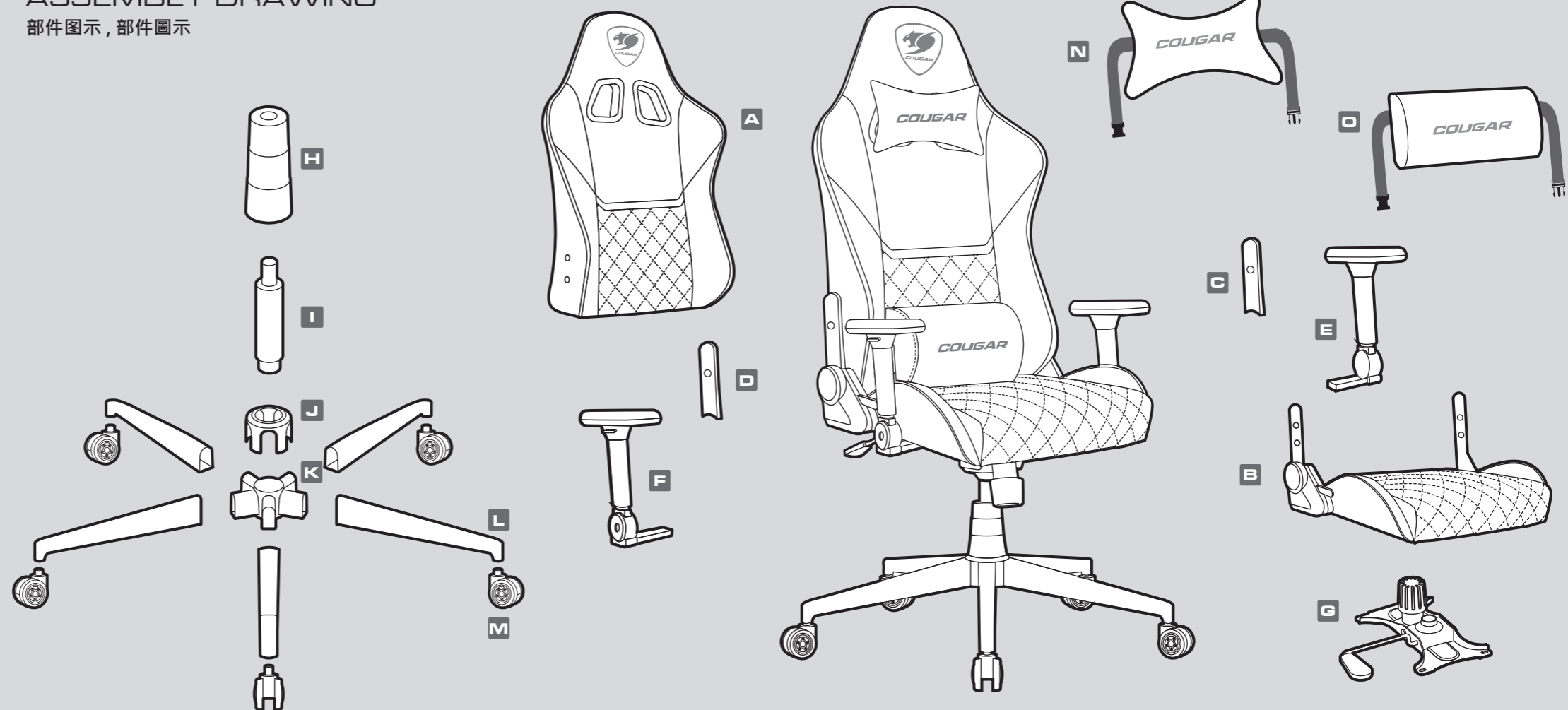


ARMOR ONE V2

GAMING CHAIR

ASSEMBLY DRAWING

部件图示, 部件圖示



Armor ONE V2 continues the legacy of its predecessor's classic design, combining sleek aesthetics with enhanced optimization. The surface features breathable PVC leather, complemented by a diamond-check pattern that adds a touch of sophistication. The newly developed 4D folding armrests contribute to an exceptional user experience - breathable, comfortable, durable, and function - perfect for the gamer with an eye for subtle elegance.

Armor ONE V2 延續經典的設計美學，俐落有型且更加優化。表面採用透氣PVC皮革，搭配菱格紋縫線增加層次感，令人驚艷。全新開發的可調式4D折迭扶手提供絕佳的使用體驗，透氣、舒適、耐用與功能兼備，絕對可以滿足與眾不同的你對於品味的追求！

Armor ONE V2 延續經典的設計美學，俐落有型且更加優化。表面採用透氣PVC皮革，搭配菱格紋縫線增加層次感，令人驚艷。全新開發的可調式4D摺疊扶手提供絕佳的使用體驗，透氣、舒適、耐用與功能兼備，絕對可以滿足與眾不同的你對於品味的追求！

FEATURES 产品特点, 產品特點

- | | | |
|--|--|--|
| <p>ENGLISH</p> <ul style="list-style-type: none"> Breathable PVC leather 4D Folding armrest Head and lumbar pillow Body-embracing high back design Full steel frame Gas lift height adjustment 5 Star metal base Weight limit : 120kg | <p>PORTUGUÊS</p> <ul style="list-style-type: none"> Couro de PVC respirável Apoio de braço dobrável 4D Travesseiro de cabeça e lombar Design de encosto alto que envolve o corpo Estrutura completa em aço Ajuste de altura do elevador a gás Base de metal 5 estrelas Limite de peso: 120 kg | <p>簡中</p> <ul style="list-style-type: none"> 透气的PVC皮革材质 可調式4D折迭扶手 头枕和腰枕 高背式环抱椅背设计 坚固的钢管结构设计 椅座高低可調式设计 坚固耐用的金属椅脚 最大可承重 120kg |
|--|--|--|

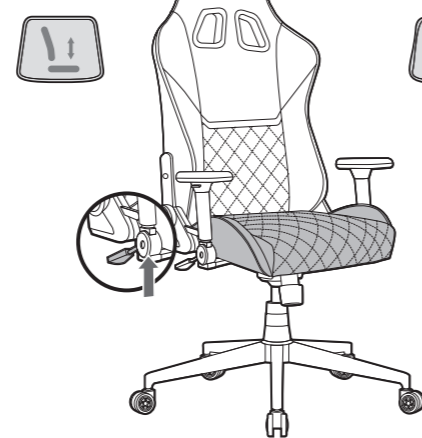
- | | | |
|---|---|--|
| <p>ESPAÑOL</p> <ul style="list-style-type: none"> Cuero de PVC transpirable Reposabrazos plegables 4D Almohada para la cabeza y la zona lumbar Diseño de respaldo alto que abraza el cuerpo Marco de acero completo Ajuste de altura del elevador de gas Base de metal de 5 estrellas Limite de peso: 120 kg | <p>РУССКИЙ</p> <ul style="list-style-type: none"> Дышащая кожа из ПВХ 4D складной подлокотник Подушка для головы и поясницы Облегающий дизайн с высокой спинкой Полностью стальной каркас Регулировка высоты газлифта 5 звезд металлическая основа Ограничение по весу: 120 кг | <p>繁中</p> <ul style="list-style-type: none"> 透氣的PVC皮革材質 可調式4D折疊扶手 頭枕和腰枕 高背式環抱椅背設計 堅固的鋼管結構設計 椅座高低可調式設計 堅固耐用的金屬椅腳 最大可承重 120kg |
|---|---|--|

- | | | |
|---|--|--|
| <p>DEUTSCH</p> <ul style="list-style-type: none"> Atmungsaktives PVC-Leder 4D Klappbare Armlehne Kopf- und Lendenkissen Körperumschließendes Design mit hoher Rückenlehne Vollstahlfähren Höhenverstellung per Gasdruckfeder 5-Sterne-Metallfuß Gewichtsbeschränkung: 120 kg | <p>FRANÇAIS</p> <ul style="list-style-type: none"> Cuir PVC respirant Accoudoir rabattable 4D Oreiller pour la tête et les lombaires Conception à dossier haut enveloppant le corps Cadre entièrement en acier Réglage de la hauteur par vérin à gaz Base en métal 5 étoiles Limite de poids : 120 kg | <p>緊中</p> <ul style="list-style-type: none"> 透氣的PVC皮革材質 可調式4D折疊扶手 頭枕和腰枕 高背式環抱椅背設計 堅固的鋼管結構設計 椅座高低可調式設計 堅固耐用的金屬椅腳 最大可承重 120kg |
|---|--|--|

- | | | |
|---|---|--|
| <p>KOREAN</p> <ul style="list-style-type: none"> 통기성 PVC 가죽 4D 접이식 팔걸이 머리 및 요추 베개 몸을 감싸는 하이백 디자인 풀 스틸 프레임 가스 리프트 높이 조절 5성 메탈 베이스 체중 제한 : 120kg | <p>日本語</p> <ul style="list-style-type: none"> 通気性のある PVC レザー 4D折りたたみアームレスト 頭と腰の枕 体を包み込むハイバックデザイン フルスチールフレーム ガスリフト高さ調整 星5メタルベース 体重制限: 120kg | <p>彈力調整, 彈力調整</p> <p>Lock</p> <p>Unlock</p> |
|---|---|--|

Seat Height Lift

椅座高度調整
椅座高度調整



Angle Adjustor

椅背傾仰調整
椅背傾仰調整



Tilting

搖椅功能



4D Folding Armrest

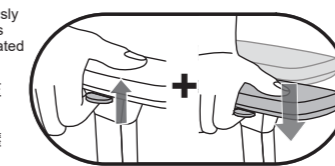
4D 可調式折迭扶手 / 4D 可調式摺疊扶手

Step 1

Hold the switch upwards and simultaneously press the armrest down all the way. At this point, the armrest unlocks and can be rotated backward.

向上按住開關，並同時按壓扶手面下壓到底。此時扶手解鎖可向后轉動。

向上按住開關，並同時按壓扶手面下壓到底。此時扶手解鎖可向后轉動。

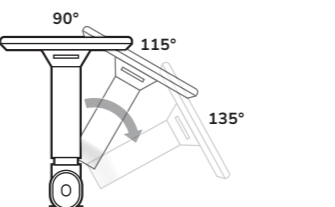


Step 2

3 position lock.

3段角度位置鎖定

3段角度位置鎖定



Step 3

Position to the designated point, then gently lift the handle and click to lock in place.

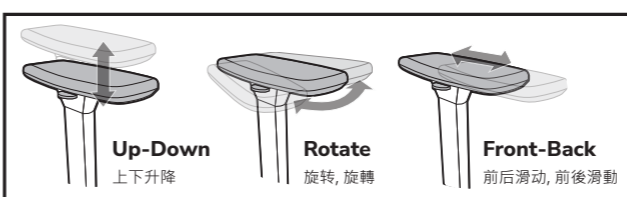
位置到定點後輕提扶手面喀噠，即為鎖定。

位置到定點後輕提扶手面喀噠，即為鎖定。

Please make sure that the armrest is locked in place to prevent it from tilting backward when your arm is resting on it.

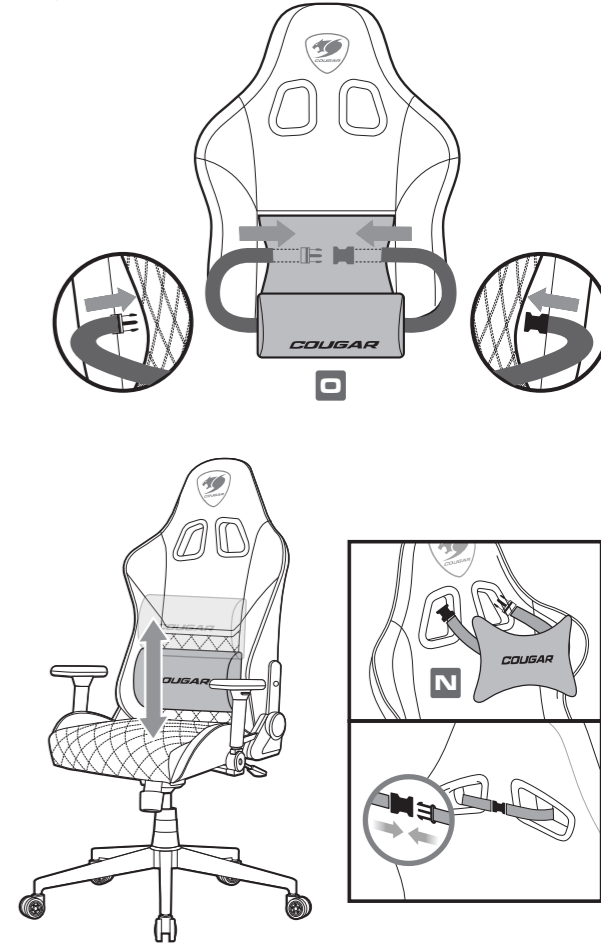
請務必確保扶手為鎖定狀態，以避免手臂支撐扶手時，扶手向后傾倒。

請務必確保扶手為鎖定狀態，以避免手臂支撐扶手時，扶手向后傾倒。

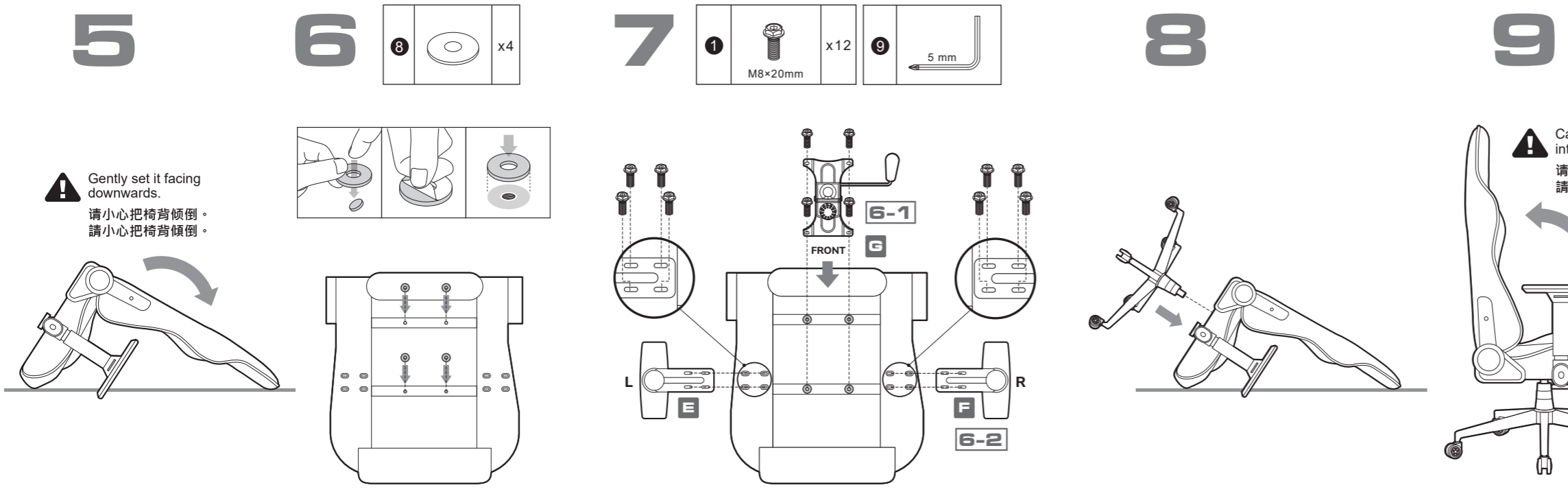
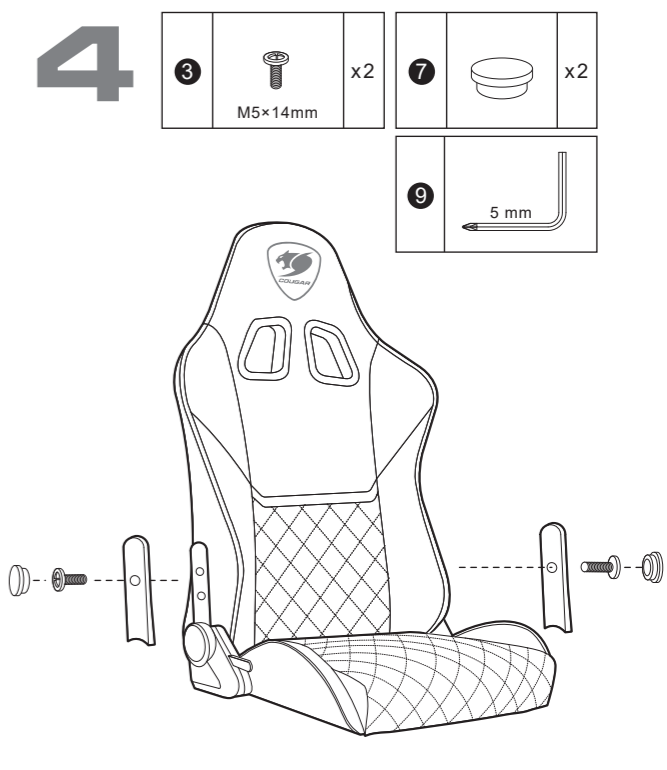
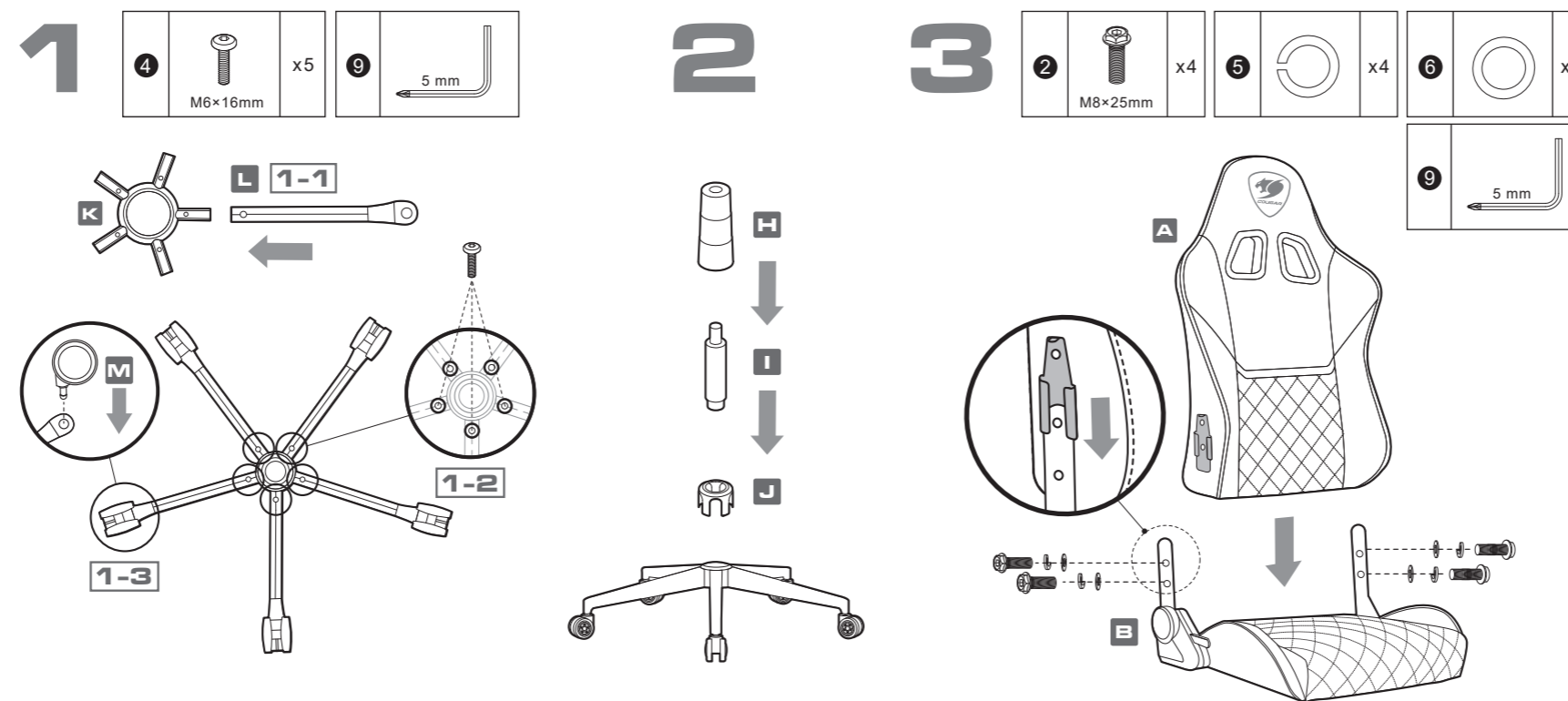


*Secure the lumbar pillow by threading the straps through the back cushion.

*將繩扣穿過椅背的夾層。
*將繩扣穿過椅背的夾層。



1 M8×20mm x12	2 M8×25mm x4	3 M5×14mm x2
4 M6×16mm x5	5 x4	6 x4
7 x2	8 x4	9 5 mm x1



MANUFACTURER CONTACT

制造商联系方式, 製造商聯繫方式

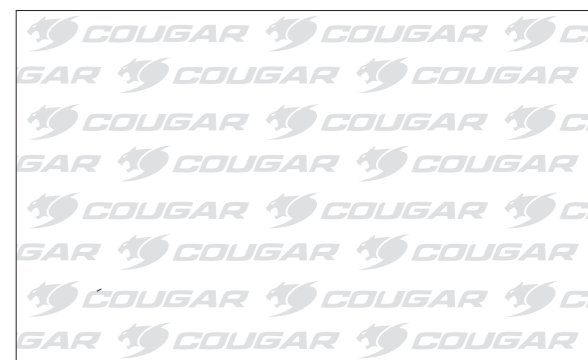
COUGAR COUGAR USA Technical Service
Tel: (833) 256-3778
www.cougargaming.com Mail:rma@compucaseusa.com

Compucase Enterprise Co.,Ltd.
All rights reserved. Made in China

Official website

Maximum stationary weight capacity 120kg. Please do not place any body or object above 120kg on this chair. From spaces in which it could get caught or be injured.
本产品最大承受重量120公斤。请勿将120公斤以上的物体放在椅子上。本产品最大承受重量120公斤。請勿將120公斤以上的物體放在椅子上。

DISTRIBUTOR



GLOBAL WARRANTY POLICY

全球保固条款, 全球保固條款

WARRANTY PERIODS OF COUGAR GAMING DEVICES
Product : COUGAR ARMOR ONE V2 Gaming Chair
Warranty : Please refer to our official website.
(https://cougargaming.com/us/support/warranty/)
保固政策 : 中国地区购买, 请参考中国地区官方网站。
(http://cougargaming.com.cn/support/warranty/)



詳細保固條件
請掃描QR Code

This warranty gives you specific legal rights. You may also have other rights granted under local law. These rights may vary.

WARRANTY AGREEMENT

If the product has defects in material or manufacture, COUGAR will provide product repair and replacement service within the warranty period.
Our warranty service is based on the date of the invoice or warranty card.

CONDITIONS WHERE FREE MAINTENANCE IS NOT PROVIDED

- Any fault or damage caused by natural disasters (including storm, fire, flood, thunder, earthquake, etc).
- Any fault or damage caused by accidental factors and man-made reasons (including hit, scrape, crash, moving, compression, stain, corrosion, riot, misuse, malicious damage, etc).
- Use in an improper operating environment (including high temperature, high humidity, water inflow, etc).
- Inability to provide the product warranty card, purchase receipt or invoice to prove the product is still within the warranty period and the shipping date of the product is out of warranty.
- The warranty card has been altered or its number is hard to identify.
- The warranty period has expired.

- Any fault or damage caused by non-compliance with regulations stated on the user manual or improper, rough and careless treatment.
- COUGAR is not liable for any damage of life and limb or damage or loss of property caused by or during COUGAR products' use as or with medical equipment, military equipment, traffic equipment and disaster prevention systems.
- COUGAR's warranty liability is limited to repair or replacement. The decision on whether to repair or replace belongs exclusively to COUGAR.
- COUGAR is, to the extent not prohibited by law, not liable for any damages; expenses; lost data, revenues, savings or profits; or any incidental or consequential damages happened while the use of a defective product from COUGAR or due to its use.

DISCLAIMERS

COUGAR products should not be used as critical components in life support devices.
COUGAR is not liable for any damage of life and limb or damage or loss of property caused by or during COUGAR products' use as or with medical equipment, military equipment, traffic equipment and disaster prevention systems.
COUGAR's warranty liability is limited to repair or replacement. The decision on whether to repair or replace belongs exclusively to COUGAR.

LEGAL NOTICES

This manual was created by Compucase Enterprise and may not be completely or partially copied, passed on, distributed or stored without written consent by Compucase Enterprise.
COUGAR® is a registered brand of Compucase Enterprise. Other product and company names mentioned in this documentation may be brands or trademarks of their respective owners.
Compucase Enterprise reserves the right to make changes concerning the contents of the manual and the technical data of the product without previous announcement.

WARNING

- To adjust the chair height, gently pull the lever up. Do not use excessive force to pull the lever.
- Please wear protective gloves when assembling the chair. It is your own responsibility to use appropriate protection to prevent any physical damage.
- When rocking the chair, using it in any other way or adjusting the height, inclination, position or balance of the chair or any of its components, please pay attention to your hand's position and keep it away from spaces in which it could get caught or be injured.
- Do not make fast or violent movements when the chair is in movement.
- Do not touch any of the chair's adjustment controls to prevent affecting its stability and causing a potentially dangerous fall.
- When reclining the chair to its full extent, set the related control level in lock position and keep both feet on the ground, as well as abstain from any violent, rough or strong movement which could cause the chair to tip over.
- Keep in mind that this chair is designed only for sitting and reclining, and that it should be used only for those uses.
- Do not sit on the edge of the chair or the arm rests.
- Do not place the chair in a location in which it is likely to be subjected to prolonged sunlight exposure.
- The product's colors might fade when exposed to sunlight.
- Do not use abrasive products or scrub energetically when cleaning. Please stick to gentle products suitable for delicate materials.
- All parts should be checked monthly to confirm their integrity and to make sure that the screws are not loose.
- If any part of the product is or appears to be damaged, missing or loose, please contact the local distributor and do not use the product.

ДАТА ИЗГОТОВЛЕНИЯ ПРОДУКЦИИ

год и месяц изготовления продукции указаны в серийном номере продукта. (существует 2 способа определения даты изготовления, оба способа описаны ниже)

A После S/N: первые две цифры означают год, вторые две – месяц изготовления. Например, S/N: H1702000001 означает, что товар был произведен в феврале 2017 года.

B После S/N: если указаны буквы, то две буквы представляют цифры из таблицы ниже, и означают год, последующие две цифры – месяц изготовления. Например, S/N: DAG02REV1000001 означает, что товар был произведен в феврале 2017 года.

A	B	C	D	E	F	G	H	I	J
1	2	3	4	5	6	7	8	9	0

• Например, AG = 17 = 2017 год

