


1	2
品牌	BOYA
长丰型号	BY-AM1

7	8
修改名称	版本
变更内容	变更日期
变更担当	



BOYA

BY-AM1
Dual-Channel Audio Mixer
双通道混音器

INSTRUCTION MANUAL
使用说明

Thank you for purchasing BOYA!

The BY-AM1, a 2-channel audio mixer, provides you with a compact audio mixing solution for 6.35mm line-in devices or any XLR microphones, which allows you to easily mount and control input devices, and to transmit the output signal to your computer.

Thanks to built-in 6.35mm/XLR combo inputs, it's convenient to accept signal directly from XLR microphones or electric instruments, like guitar and bass.

It can support 44.1k-192kHz sampling rates audio without any sound compromise, when connecting to XLR microphone and instruments input devices.

Thanks to the 6.35mm headphone monitoring jack and supplied 6.35mm to 3.5mm audio adapter, you can hear your live input signal with no distracting echo or latency through the headphone.

It can provide 48V phantom power for XLR passive microphone. Built-in 1/4" mounting screw on the base can be attached to tripod and other accessories.

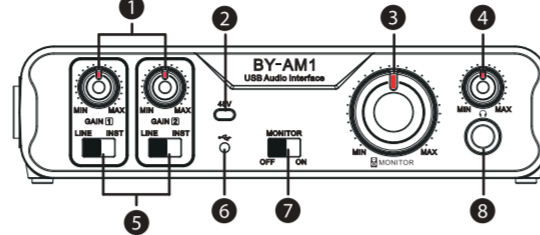
PACKLING LISTS

- 6.6'(2m) USB-A to USB-B cable
- 6.35mm to 3.5mm TRRS audio adapter

FEATURES

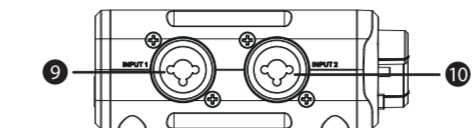
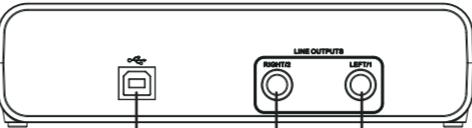
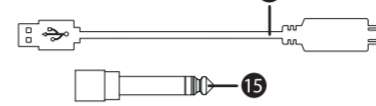
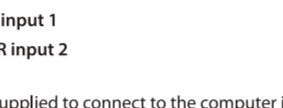
- Dual-channel audio mixer for dynamic/condenser XLR mics, line-level or instrument signals.
- Compatible with computers, laptops, speakers
- No-latency headphone monitoring (Includes 6.35mm to 3.5mm TRRS adapter)
- 6.35mm/XLR combo inputs, 6.35mm audio outputs, USB 2.0 connection
- Supply 48V phantom power via XLR input
- 1/4" threaded hole for tripod mounting

PRODUCT STRUCTURE



1. Input gain control
2. 48V indicator & ON/OFF button
3. Speaker volume control
4. Headphone volume control
5. LINE/INST switch
10. 6.35mm/XLR input 2
11. USB-B port
12. LINE OUTPUTS (RIGHT/2)
13. LINE OUTPUTS (LEFT/1)
14. 6.6' (2m) USB-B to USB cable
15. 6.35mm to 3.5mm TRRS adapter

Note: Please make sure that whether your microphone needs an external 48V phantom power supply to avoid irreversible damage to your microphone. (The 48V phantom power ON is solid red light)

9. 6.35mm/XLR input 1
10. 6.35mm/XLR input 2
11. USB-B port
12. LINE OUTPUTS (RIGHT/2)
13. LINE OUTPUTS (LEFT/1)
14. 6.6' (2m) USB-B to USB cable
15. 6.35mm to 3.5mm TRRS adapter

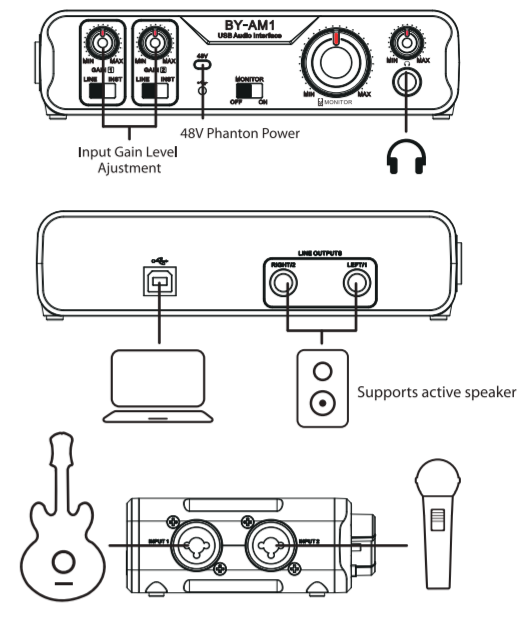
SPECIFICATION

	MICROPHONE INPUTS	LINE INPUTS	INSTRUMENT INPUTS
Frequency Response:	20Hz - 20kHz ± 0.1dB	20Hz - 20kHz ± 0.1dB	20Hz - 20kHz ± 0.1dB
THD:	/	<0.01%	/
S/N:	/	80dBu	/
Maximum Input Level:	9dBu (at minimum gain)	15dBu (at minimum gain)	8dBu (at minimum gain)
Gain Range:	/	50dB	/
Impedance:	/	47kΩ	/

	HEADPHONE OUTPUTS	LINE/MONITOR OUTPUTS
S/N:	75dB	80dBu
THD	<0.01%	<0.01%
Maximum Output Level:	6dBu	10dBu
Impedance:	<10Ω	470Ω
Sampling Rates:	44.1kHz, 48kHz, 88.2kHz, 96kHz, 176.4kHz, 192kHz	/
USB Connection:	USB 2.0 (USB-B connector)	/
Power Requirements:	Powered by computers	/
Power Supply:	48V PhantomPower	/

Dimensions:	160*105*41.5mm (6.3"×4.1"×1.6")
Weight:	408.5g(14.4 oz)

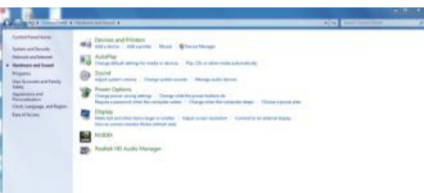
AVAILABLE APPLICATIONS




HOW TO DOWNLOAD DRIVER?
(For Windows System)
Please download the driver from this website below:
http://www.jiayz.com/software/driver/official/XMOS-Stereo-UAC20_v4.13.0.exe

SET UP FOR WINDOWS

1. Connect the microphone to the computer with the supplied charge cable.
2. Select the microphone as the default device and click Start Menu -> Control Panel -> Sounds and Audio Devices.



- Select XMOS USB Audio and click OK.




- Select XMOS USB Audio and click OK.




SET UP FOR WINDOWS


1. Connect the BOYA BY-AM1 to Type-C port on your computer.
2. Choose Apple Icon -> System Preferences -> Sound Icon



- Select USB Audio Device and click OK.



- Select USB Audio Device and click OK.



感谢您购买BOYA!
BY-AM1是一个双通道音频混音器, 为您提供完美的双通道音频解决方案 (支持6.35mm线性输入/XLR麦克风), 内置6.35mm/XLR音频输出接口, 快速调整录音操作。

接入XLR麦克风和乐器输入信号, 支持44.1k-192kHz的无损音频, 内置6.35mm耳机监控孔以及配置6.35mm转3.5mm音频转接头, 您可以实时监听输入信号没有干扰回声或延迟。此外, 混音器可为XLR无源麦克风提供48V幻象电源。

底部上的内置1/4英寸螺纹孔设计, 可以安装三脚架和其他附件。

包装清单

- USB-A到USB-B电缆(2米)
- 6.35mm转3.5mm TRRS音频转接头

特点

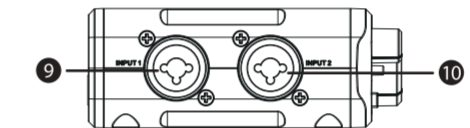
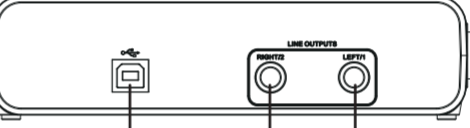
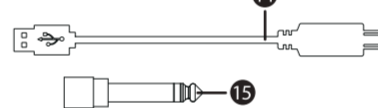
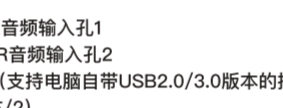
- 可用于动态/电容XLR麦克风, 线性输入, 乐器双通道音频混合器
- 兼容电脑、笔记本电脑
- 零延迟耳机监控(配置6.35mm转3.5mm TRRS音频转接头)
- 6.35mm/XLR音频输入孔
- 6.35mm音频输出孔
- 提供48V幻象功率
- 1/4英寸螺纹孔

产品结构



1. 输入电平控制按钮
2. 48V指示灯/开关按钮
3. 外放音量旋钮
4. 耳机音量旋钮
5. 线性/乐器输入开关
6. USB指示灯
7. 监听开关键
8. 6.35mm耳机监听孔
9. 6.35mm/XLR音频输入孔1
10. 6.35mm/XLR音频输入孔2
11. USB-B接口 (支持电脑自带USB2.0/3.0版本的接口)
12. 线性输出 (右/2)
13. 线性输出 (左/1)
14. USB-总转USB音频转接线 (2米)
15. 6.35mm转3.5mm TRRS转接头

注意: 请确认麦克风是否需要外接48V幻象电源, 以免对麦克风造成不可逆的损害。(48V开启模式为红灯常亮)

9. 6.35mm/XLR音频输入孔1
10. 6.35mm/XLR音频输入孔2
11. USB-B接口 (支持电脑自带USB2.0/3.0版本的接口)
12. 线性输出 (右/2)
13. 线性输出 (左/1)
14. USB-总转USB音频转接线 (2米)
15. 6.35mm转3.5mm TRRS转接头

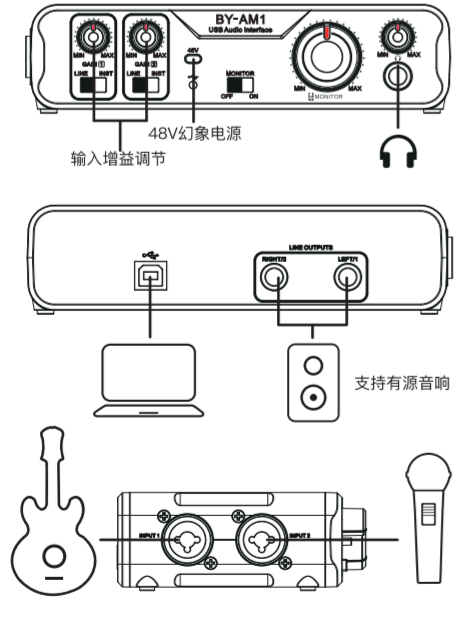
参数

	麦克风输入	线性输入	乐器输入
频率响应	20Hz - 20kHz ± 0.1dB	20Hz - 20kHz ± 0.1dB	20Hz - 20kHz ± 0.1dB
失真率	/	<0.01%	/
信噪比	/	80dBu	/
增益范围	9dBu	15dBu	8dBu
最大输入电平	/	50dB	/
阻抗	/	47kΩ	/

	耳机输出	线性/监听输出
频率响应	75dB	80dBu
失真率	<0.01%	<0.01%
输出阻抗	6dBu	10dBu
输出阻抗	<10Ω	470Ω
采样率	44.1kHz, 48kHz, 88.2kHz, 96kHz, 176.4kHz, 192kHz	/
USB连接协议	USB 2.0 (USB-B接口)	/
电源	外接电脑供电	/
供电	48V 幻象电源	/

尺寸	160*105*41.5mm (6.3"×4.1"×1.6")
重量	408.5g(14.4 oz)

适用场景



驱动安装 (Windows系统)

驱动安装网址:
http://www.jiayz.com/software/driver/official/XMOS-Stereo-UAC20_v4.13.0.exe

麦克风连接电脑的操作步骤

Windows电脑设置教程

1. 选择相应的转接线, 连接麦克风和电脑。
2. 设置麦克风为默认设备, 点击“开始”菜单 -> “控制面板” -> “硬件”和声音。



- 在“播放”栏中, 选择“BY-AM1”并点击“确认”



- 在“录制”栏中, 选择“BY-AM1”并点击“确认”



苹果电脑设置教程

- ① 选择相应的转接线, 连接麦克风和电脑。
- ② 点击左上角苹果标志 -> “系统偏好设置” -> “声音”



- 选择BY-AM1为声音输入路径。



- 选择BY-AM1为声音输出路径。



www.boyb-mic.com

SHENZHEN JIAYZ PHOTO INDUSTRIAL, LTD.
The BOYA logo is a trademark which is registered and owned by Shenzhen Jiayz Photo Industrial, Ltd.
COPY RIGHT 2010-2020
深圳市长丰影像器材有限公司
地址: 广东省深圳市宝安区观澜街道观澜大道智慧硬件产业园A60栋
TEL: 400 6131096
Email: sales@boyb-mic.com
www.boyb-mic.com / www.jiayz.com

技术要求:
1、表面无色差
2、无正负公差
3、包装标注尺寸为内尺寸



JIAYZ长丰 深圳市长丰影像器材有限公司				
子件名称	BY-AM1 说明书	版本	V00	
子件编号	1F0300300280	材质	80g书写纸 骑马钉 16P	
尺寸	90x150	比例	1:1	单位 mm
设计/日期	吴蒙蒙 2020-10-22	审核	暂无	核准/日期 赵宏亮