

# 43" IP65 High Brightness Embedded PC



- Allwinner® V40 Cortex™ A7 QuadCore 1GHz Processor
- 1 GB DDR3 RAM & 8 GB EMMC FLASH
- Supports Android up to version 6.X
- Full HD Resolution – 1920 × 1080
- Comprehensive IP65 protection for applications under harsh circumstances, including water- and dustproof
- 1000+ cd/m<sup>2</sup> brightness for increased visibility
- 2 year guarantee

There are currently two versions for V40 mainboard: The standard version with W-LAN and OTG port, and the full version with additional Bluetooth 4.0 and GPS. This is faytech's powerful Quadcore solution for Android based platforms.

It is the perfect solution for digital signage. By including pre-installed Android 6.0, (Android 4.4 optional), a powerful Allwinner V40 QuadCore CPU, Mali400MP2 graphics chipset, numerous interfaces such as network, HDMI, and 24V DC-In, the Embedded touch PC will be suitable for you.

Each embedded system comes standard with 1 GB DDR3 RAM and 8 GB flash memory and includes an SD card slot for further hard disk expansion. Wi-Fi is integrated, and over MiniPCIe the systems can be upgraded to 3G + GPS using the available SIM card slot.

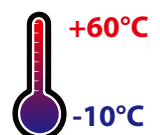
faytech's new Embedded Series is our most cost-effective solution for retail and digital signage solutions.



HIGH BRIGHTNESS



HDMI



<b>Product name</b>	<b>43" IP65 High Brightness Embedded PC</b>
<b>Model number / EAN number</b>	<b>FT43V40HBK / 6920734043804</b>

IP Rating	
	IP65

LCD Panel	
Screen diagonal (Inch/cm)	43/109.22
Display active screen size (cm)	94.09×52.93
Aspect ratio	16:9
Physical resolution	1920×1080
External maximum showable resolution - HDMI	1920×1200
Colours displayed	16.7M
Brightness (cd/m <sup>2</sup> )	1000+
Contrast	3000:1
Typical reaction time Tr/ Tf (ms)	8/8
Visual Angle horizontal/vertical (°)	178/178
Backlight / Backlight Lifetime (hours)	LED / 50,000

Operation / Mechanical	
Operating Temperature (°C)	-10 ~ +60
Humidity Range (RH)	10% - 90%
Net weight (kg)	60.00
Gross weight (kg)	85.00 (incl. cartilage)
Housing material	Metal
Housing (cm) L × W × H	143.50 × 62.40 × 3.40
Mounting	Aluminum stand

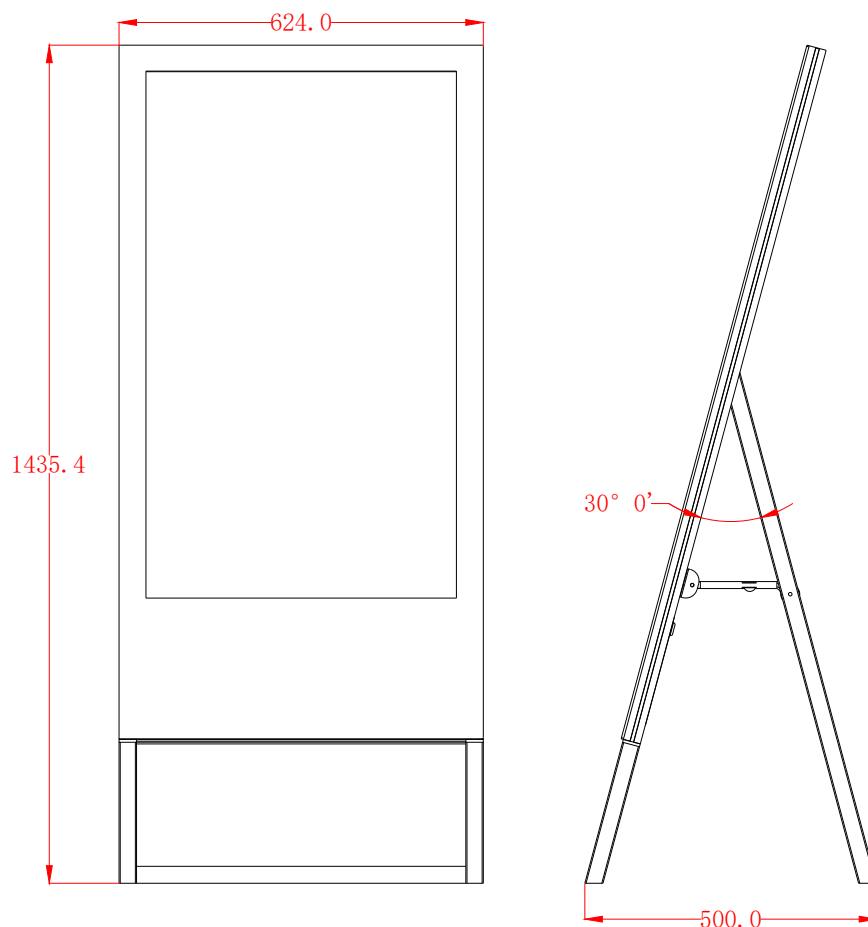
Internal Connectors	
	1x SD-card
	1x SIM-card
	3x Serial
	4x USB 2.0
	1x USB OTG
	12x GPIO
	1x Line-In
	1x Line-Out
	18/24Bit LVDS
	1x Amplifier for 2x 6W loudspeaker
	1x SATA-Port
	1x RTC
	1x CAN bus

PC System	
CPU	Allwinner® V40 QuadCore
Chipset	Cortex A7
Graphic GPU	ARM® Mali400 Mp2 Complies with OpenGL ES 2.0/1.1
Audio	Integrated HI-FI 100dB Audio Codec Dual analog mic. 2x6W amplifier
Memory	1x 1GB DDR3
Storage	8GB EMMC Flash
Network	10M/100M/1000M Network; W-LAN
Driver Support	Android 6.0 / 4.4
Preinstalled OS	Android 6.0 / 4.4

Power	
Power Supply	100-240V ACDC active switching; 24V DC Out
Working Power (V)	24
Power Consumption (W)	70
Stand-By Consumption (W)	<1

External Connectors	
	1x 24V DC-In
	1x 10/100/1000Mbit RJ45

Included in the Delivery	
	Power Supply (see Power section)
	Short Installation Manual
	Aluminum Stand



## Corporate Headquarters

**faytech Tech. Co., Ltd.**  
 Building F., Hongmen Tech. Zone,  
 Jihua Rd., Shenzhen, China 518129

[support@faytech.com](mailto:support@faytech.com)  
[contact@faytech.com](mailto:contact@faytech.com)  
[www.faytech.com](http://www.faytech.com)

China: +86 755 89580612  
 Germany: +49 551 82098660  
 USA: +1 646 205 3214