

Open Frame LCD

Open Frame LCD

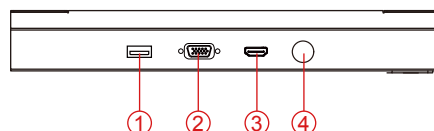
10.1"

Specifications



Model Name	W10L100-POA1
Panel Size	10.1"
Active Display Area(mm)	216.576(H)x135.36(V)
Resolution	1920 x 1200
Brightness(cd/m2)	700 (Typical)
Contrast Ratio	800:1 (Typical)
Viewing Angles(CR>=10 L/R/U/D)	89~89(H) ; -89~89(V)
Display Colors	16.7M (8 bits/color)
Standard Input Signal	1 x VGA (D-sub 15) 1 x HDMI (Type-A)
Touch Screen	Projected Capacitive
Touch Interface	USB
Audio / Speakers (Optional)*	Audio line in (3.5mm) + Speaker x2
OSD	5 Keys: -, +, Power, Esc, Enter
Power Input	12V DC input (2.5ψ) with external AC-DC Adapter (100V~240V)
Power Consumption	10W typical, Normal operation
Operating temperature	0~50°C
Storage Temperature	-25~65°C
Accessories	Power AC-DC Adapter(100V~240V) VGA cable (1.8m) HDMI cable (2m)

*Outside dimension and I/O will be different from standard

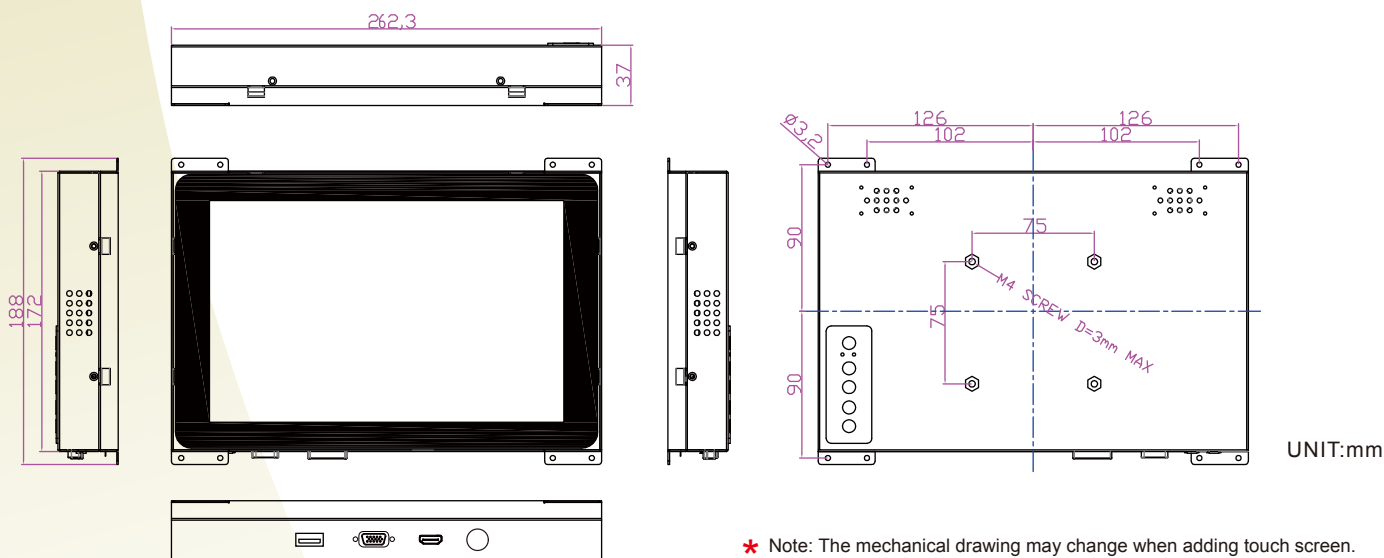


1. Touch
2. VGA
3. HDMI
4. DC input

I/O Optional

Optional 1*	1 x VGA (D-sub 15) 1 x HDMI (Type-A) 1 x DVI-D
Optional 2*	1 x VGA (D-sub 15) 1 x DVI-D 1 x S-Video 1 x Composite

Mechanical Drawing



* Note: The mechanical drawing may change when adding touch screen. Please contact our sales representative if you need further product information.