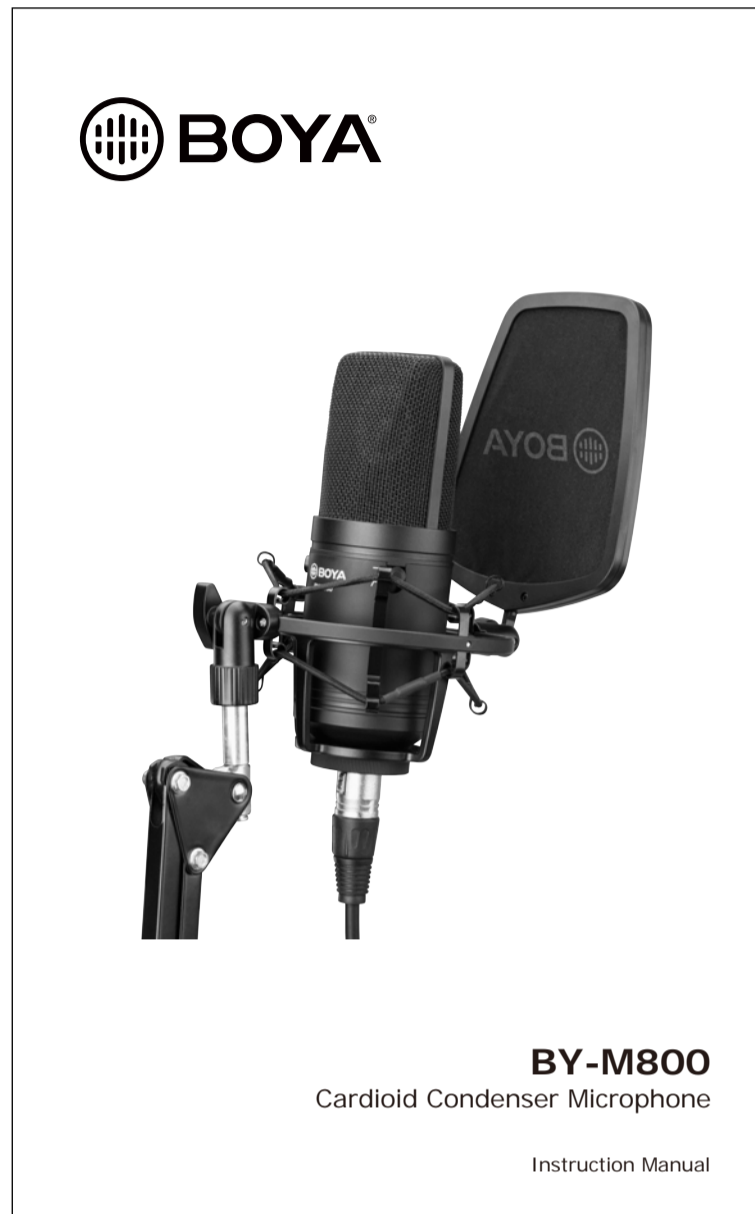


7	8
修改名称	版本
变更内容	变更日期
	变更担当

1	2
品牌	BOYA
长丰型号	BY-M800



Instruction:

Thanks for purchasing BOYA BY-M800!

BOYA BY-M800 is a large cardioid diaphragm condenser microphone with a smooth, flat, wide-range frequency response, it's perfect for for vocal and general instrument capturing in project and professional studio environments. It's featured with a cardioid pattern rejects off-axis sound, -10dB switch and 2-position low-cut filter switch.

The microphone is with all sturdy metal construction housing design, and uses standard 24V or 48V phantom power, which is supplied through the standard XLR connector. A shockmount, pop filter, and 3m(10ft) case are all included.

Contents:

- BY-M800 condenser microphone
- Studio-grade pop shield
- Shockmount
- 3m(10ft) balanced XLR cable

General Functions

- Polar Pattern

Cardioid

The cardioid polar pattern is focusing audio capture in front of the capsule, minimizes unwanted ambient sound from the other sides and back of the microphone.

This polar pattern is suitable for such situations when you want to pick up specific sound sources, such as recording vocals, guitar, pianos, stringed instruments, and more.

- High-Pass Filter

A low-cut filter at 150 Hz allows you to eliminate low frequency hum and other low-frequency noises.

- A -10 dB pad switch

A -10 dB pad switch provides more headroom when capturing transient signals that may otherwise cause peak distortion.

How to use it

1. Mount BY-M800 on 3/8" and 5/8" microphone stands or tripods.

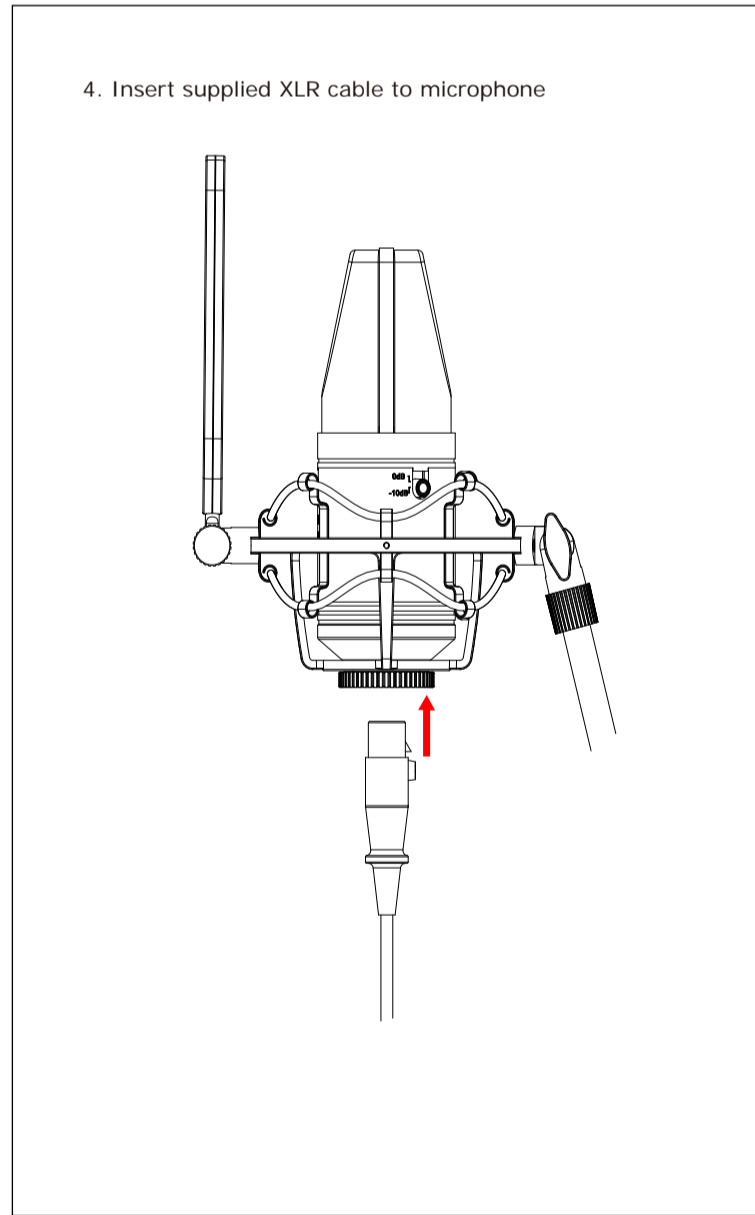
Note:
When changing the mic position, always be sure to loosen the adjustment knob first to ensure you do not damage the shock mount.

2. Rotate locking knob to adjust microphone fits your position.

Note:
When recording any sound source, whether it be vocals, instruments or anything else, always spend time experimenting with microphone placement to ensure you are picking up the best possible sound. Adjust the microphone position as many times as you need to achieve your demand.

3. Mounted the supplied pop filter in front of microphone.

Note:
The "BOYA" Logo on the face of the BY-M800 indicates the front of the microphone, and the pickup area of the capsule. The "BOYA" Logo should always be facing towards the sound source that you wish to record.

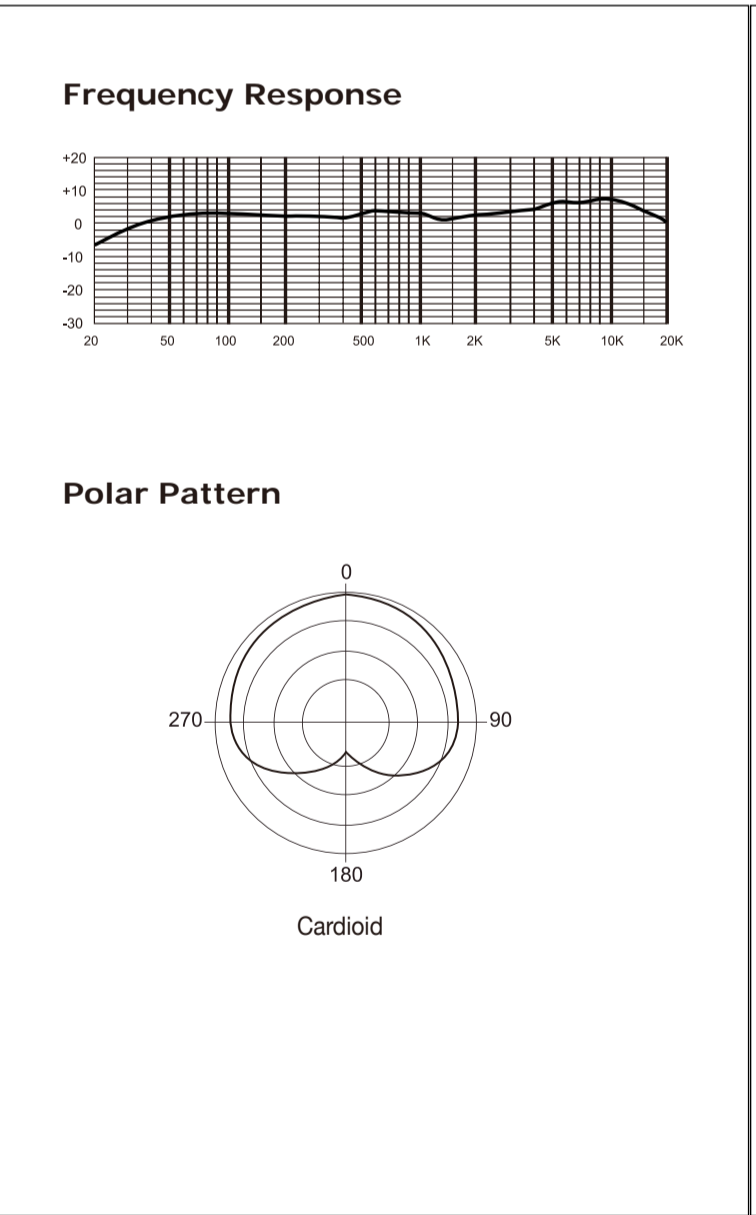


Features

- Large gold-sputtered diaphragm
- Great for studio and broadcast
- Flat, wide-range frequency response
- Cardioid pickup pattern
- Controlled by low-cut filter switch
- A selectable -10dB pad
- Included shockmount & pop filter
- 24V or 48V phantom power
- Standard XLR connector
- 3m(10ft) XLR cable included
- Included 3/8" and 5/8" thread

Specifications:

Acoustic Principle:	Condenser
Polar Pattern:	Cardioid
Diaphragm:	34mm(1.3")
Frequency Response:	20-20,000Hz
Sensitivity:	-33±3dB (0dB=1V/Pa @ 1KHz)
SN:	80dB and more
Output Impedance:	200 Ohm
Power Requirement:	24V or 48V Phantom
Cable Length:	3m(10ft)
Dimensions:	207 x 115 x 162mm
Weight:	642g



Maintaining Your Microphone

- Keep your microphone away from dust, moisture, or water.
- To clean the housing, wipe with a dry micro-fiber cloth to remove dust.
- Store your microphone in the included pouch to protect it from dirt and dust.

Important Safety Information

- Make sure that you follow all safety notes.
- Keep these instructions for use in a safe place. If you sell the equipment or pass it on to someone else, you should also pass on these instructions for use.

Marking on the devices

Waste disposal and protection of the environment
Electric and electronic appliances, as well as batteries, must not be disposed of together with domestic waste. The user is legally obliged to return electric and electronic appliances as well as batteries to specially set up public collecting points or the sales outlet once they have reached the end of their service life. Details are regulated by national law. The symbol on the product, the instructions for use, or the packaging refers to these provisions. The recycling of waste equipment/batteries is an important contribution to the protection of our environment.

Danger of fire and short-circuit

- Do not operate the device with wet hands.
- Clean the equipment only in the way described in Maintaining Your Microphone.
- Take care to avoid dropping the equipment. Make sure that the device is properly fastened and reliably mounted. If the device has been dropped, have it inspected by a skilled technician before you switch it on again.
- Should the equipment be damaged or defective, or if you notice a scorching smell, remove the batteries immediately. Do not operate the device with a damaged housing and do not repair the device yourself. Have the device only repaired by a skilled service person.

www.boyamicro.com

SHENZHEN JIAYZ PHOTO INDUSTRIAL., LTD.
The BOYA logo is a trademark which is registered and owned by Shenzhen Jiayz Photo Industrial., Ltd.
COPY RIGHT 2010-2020
Email: sales@boya-mic.com
www.boyamicro.com / www.jiayz.com

技术要求:
1、表面无色差
2、无正负公差
3、包装标注尺寸为内尺寸



JIAYZ 长丰 深圳市长丰影像器材有限公司					
子件名称	BY-M800说明书	版本	V00		
子件编号	1F0300300153	材质	105g双铜纸 双面印刷 5折页		
尺寸	100x160	比例	1:1	单位	mm
设计/日期	吴蒙蒙 2019-5-16	审核	暂无	核准/日期	赵宏亮