

WALL FLOOR SUPPORT

Col. ● ●

MIN VESA 400X400 MAX VESA 600X400



109-165CM
43-65"

80KG
176LBS

FLOOR



FLOOR



Table Touch Base



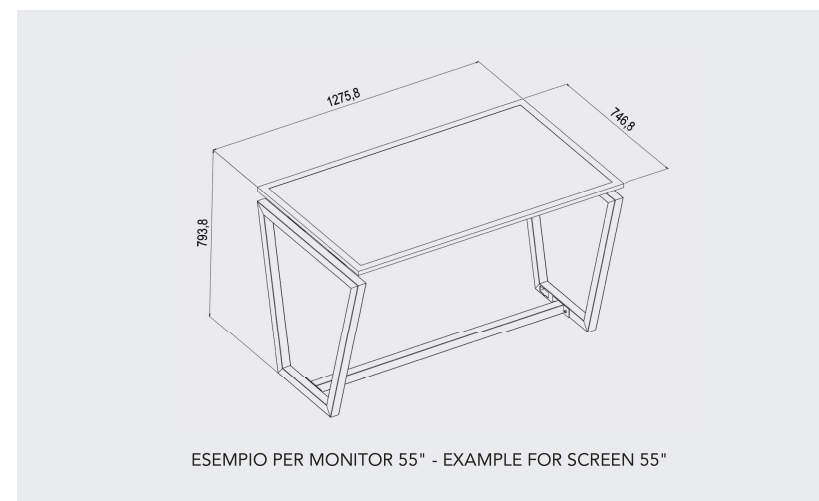
Le gambe dei tavoli per monitor touch sono il giusto mix di eleganza e praticità. Sono adattabili per ospitare monitor con dimensioni da 43" a 65". Le solide gambe in ferro verniciato possono essere nere (RAL9005) o bianche (RAL9016). Si consiglia di verificare la compatibilità con il monitor in fase di acquisto.



The table legs for touch monitors are the right mix of elegance and practicality. They are adaptable to accommodate monitors from 43" to 65". The solid legs in painted iron can be black (RAL9005) or white (RAL9016). It is recommended to check the compatibility with the monitor at the time of purchase.



| MODEL | black (ral9005) | white (ral9016) | screen dimension | order code |
|---------------------|--------------------|--------------------|---------------------|------------|
| table legs 43 bk | X | | 43 | 09202 |
| table legs 49-50 bk | X | | 49/50 | 09203 |
| table legs 55 bk | X | | 55 | 09204 |
| table legs 65 bk | X | | 65 | 09205 |
| table legs 43 wh | | X | 43 | 19202 |
| table legs 49-50 wh | | X | 49/50 | 19203 |
| table legs 55 wh | | X | 55 | 19204 |
| table legs 65 wh | | X | 65 | 19205 |



ESEMPIO PER MONITOR 55" - EXAMPLE FOR SCREEN 55"